



Zippie Zone

February 2024

EIRZ1

| | |
|--|---|
| Date: _____ Dealer Acct #: _____ Dealer: _____ Dealer Contact: _____ Dealer Address: _____ Dealer City: _____ ST: _____ ZIP: _____ Dealer Phone: () _____ Fax: () _____ Confirm Via: <input type="checkbox"/> Fax <input type="checkbox"/> Email Mark For: _____ | SUBMITTING FOR: <input type="checkbox"/> Quote <input type="checkbox"/> Order PO#: _____ Ship To: _____ Attention: _____ Address: _____ Address: _____ Ship To City: _____ ST: _____ ZIP: _____ Ship To Phone: () _____ Fax: () _____ |
|--|---|

The HCPCS CODES herein are based on PDAC verification or interpretation of Medicare definitions and guidelines. Non-Medicare payers may accept alternative HCPCS CODES, including misc. codes to ensure access for their enrollees. The use of HCPCS CODES does not ensure coverage or payment.

| ✓ | Option # | HCPCS | Definition | Price | ✓ | Option # | HCPCS | Definition | Price |
|---|----------|-------|------------|-------|---|----------|-------|------------|-------|
|---|----------|-------|------------|-------|---|----------|-------|------------|-------|

1. FRAME STYLE

| Frame w/ seating | | | | |
|--------------------------|---------|-------|---|---------|
| <input type="checkbox"/> | 190FS38 | E1235 | Zippie Zone w/ seating | \$3,074 |
| <input type="checkbox"/> | 190FS39 | E1235 | Zippie Zone, Flared w/ seating <i>(Increase of total frame length approx. 2" - 1" per side flare.)</i> | \$3,111 |

Note: HCPCS Codes shown as submitted. Some sizes fit other HCPCS codes i.e. 15"-16" widths = K0005

| Frame w/o seating | | | | |
|--------------------------|---------|-------|--|---------|
| <input type="checkbox"/> | 190FS40 | E1237 | Zippie Zone w/o seating | \$2,874 |
| <input type="checkbox"/> | 190FS41 | E1237 | Zippie Zone, Flared w/o seating <i>(Increase of total frame length approx. 2" - 1" per side flare.)</i> | \$2,902 |

Note: HCPCS Codes shown as submitted. Some sizes fit other HCPCS codes i.e. 15"-16" widths = K0005

2. TRANSIT

| | | | | |
|--------------------------|---------|-------|--|-------|
| <input type="checkbox"/> | 190TO41 | K0108 | Transit Option <i>(Rear frame extends 1" to accom. transit & not lose depth adj. range; N/A w/ 18" depth; N/A w/ seat ht. below 15" w/ inset frame)</i> | \$367 |
|--------------------------|---------|-------|--|-------|

3. FRAME SEATUP

| Frame Angle | | | | |
|--------------------------|--------|--|-----------------|----|
| <input type="checkbox"/> | 190FA8 | | 80° Frame Angle | NC |

| Frame Inset Per Side (Footrest) | | | | |
|---------------------------------|--------|--|---|----|
| <input type="checkbox"/> | 190FF1 | | 0" | NC |
| <input type="checkbox"/> | 190FF2 | | 1" <i>(N/A 8"-9" frame width or with flared frame)</i> | NC |

4. FRAME WIDTH

| | | | | |
|--------------------------|--------|--|----------------------------|----|
| <input type="checkbox"/> | 190W35 | | 8" (N/A w/ 17"-18" depth) | NC |
| <input type="checkbox"/> | 190W36 | | 9" (N/A w/ 17"-18" depth) | NC |
| <input type="checkbox"/> | 190W1 | | 10" (N/A w/ 17"-18" depth) | NC |
| <input type="checkbox"/> | 190W2 | | 11" (N/A w/ 17"-18" depth) | NC |
| <input type="checkbox"/> | 190W3 | | 12" | NC |

| | | | | |
|--------------------------|-------|--|-----|----|
| <input type="checkbox"/> | 190W4 | | 13" | NC |
| <input type="checkbox"/> | 190W5 | | 14" | NC |
| <input type="checkbox"/> | 190W6 | | 15" | NC |
| <input type="checkbox"/> | 190W7 | | 16" | NC |

5. SEAT DEPTH (FRAME DEPTH)

For additional caster/wheel clearance you can choose a different frame length and sling depth (i.e. shorter sling vs longer frame to allow more wheel/caster combos.)

| | | | | |
|--------------------------|--------|--|-----------------------------|----|
| <input type="checkbox"/> | 190SD2 | | 9" (Frame grows 10" - 12") | NC |
| <input type="checkbox"/> | 190SD3 | | 10" (Frame grows 11" - 13") | NC |
| <input type="checkbox"/> | 190SD4 | | 11" (Frame grows 12" - 14") | NC |
| <input type="checkbox"/> | 190SD5 | | 12" (Frame grows 13" - 15") | NC |
| <input type="checkbox"/> | 190SD6 | | 13" (Frame grows 14" - 16") | NC |

| | | | | |
|--------------------------|---------|--|--|----|
| <input type="checkbox"/> | 190SD7 | | 14" (Frame grows 15" - 17") | NC |
| <input type="checkbox"/> | 190SD8 | | 15" (Frame grows 16" - 18") | NC |
| <input type="checkbox"/> | 190SD9 | | 16" (Frame grows 17" - 18") | NC |
| <input type="checkbox"/> | 190SD10 | | 17" (Frame grows 18") | NC |
| <input type="checkbox"/> | 190SD11 | | 18" (No Depth Growth) <i>(N/A with Transit)</i> | NC |

6. SLING DEPTH

For additional caster/wheel clearance you can choose a different frame length and sling depth (i.e. shorter sling vs longer frame to allow more wheel/caster combos.)

| | | | | | | | |
|--------------------------|--------|---------------------------|----|--------------------------|---------|---------------------------|----|
| <input type="checkbox"/> | 190GJ1 | 8" (Sling Grows 9"-10") | NC | <input type="checkbox"/> | 190GJ6 | 13" (Sling Grows 14"-15") | NC |
| <input type="checkbox"/> | 190GJ2 | 9" (Sling Grows 10"-11") | NC | <input type="checkbox"/> | 190GJ7 | 14" (Sling Grows 15"-16") | NC |
| <input type="checkbox"/> | 190GJ3 | 10" (Sling Grows 11"-12") | NC | <input type="checkbox"/> | 190GJ8 | 15" (Sling Grows 16"-17") | NC |
| <input type="checkbox"/> | 190GJ4 | 11" (Sling Grows 12"-13") | NC | <input type="checkbox"/> | 190GJ9 | 16" (Sling Grows 17"-18") | NC |
| <input type="checkbox"/> | 190GJ5 | 12" (Sling Grows 13"-14") | NC | <input type="checkbox"/> | 190GJ10 | 17" (Sling Grows 18") | NC |
| | | | | <input type="checkbox"/> | 190GJ11 | 18" (No Growth) | NC |

7. SEATING

Seating Systems

| | | | |
|--------------------------|---------|--|----|
| <input type="checkbox"/> | 190OP05 | Ultra Seat Sling (Tension Adjustable) | NC |
| <input type="checkbox"/> | 190OP04 | Omit Seat Sling | NC |

JAY Cushions (Optional)

To order any JAY cushions on-chair, please see the JAY price list.

Cushion name or part number must be filled out with desired width and depth

| | | | |
|--------------------------|---------|---|------------|
| <input type="checkbox"/> | 190JC20 | JAY Bundled Cushion | Price List |
| | | Cushion Name or Part # | |
| | | Width (in.) Depth (in.): | |

8. BACKREST

Backrest Type

| | | | |
|--------------------------|---------|--|----|
| <input type="checkbox"/> | 190BT96 | Folding Angle Adj. w/ Double Lock Down | NC |
|--------------------------|---------|--|----|

Backrest Upholstery

Must complete Section A on next page

| | | | |
|--------------------------|---------|--|----|
| <input type="checkbox"/> | 190BU1 | Standard Upholstery (N/A with Fold Down Push Handles) | NC |
| <input type="checkbox"/> | 190BU72 | Omit Std. Upholstery (N/A with Fold Down Push Handles) (Default when choose w/o seating) | NC |

Must complete Section B on next page

| | | | | |
|--------------------------|---------|-------|---|-------|
| <input type="checkbox"/> | 190BU70 | E2611 | Tension Adj. Ballistic Nylon 186BU70 (N/A with 8"-9" widths) | \$360 |
| <input type="checkbox"/> | 190BU73 | | Omit Tens. Adj. Ballistic Nylon | NC |

JAY Backs (Optional)

To order any JAY backs on-chair, please see the JAY Price Lst. Requires Part #

| | | | |
|--------------------------|---------|--|------------|
| <input type="checkbox"/> | 190JB02 | JAY Bundled Backrest | Price List |
| | | Backrest Name or Part # | |
| | | Width (in.) Height (in.): | |

Backrest Handle Option (Stroller Handle)

8"-10" widths have a single stroller handle; omit push handle recommended. Receiver places handle outside std. 2" extension and inside 4" ext. Double "D" tubing to eliminate rotation.

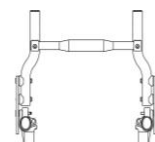
| | | | |
|--------------------------|---------|---|-------|
| <input type="checkbox"/> | 190A192 | Telescoping Push Handles (19" from Seat) | \$245 |
| <input type="checkbox"/> | 190A195 | Telescoping Push Handles - Tall (25" from seat to push handle) | \$245 |

Backrest Extension

Standard Extension 2"

| | | | |
|--------------------------|---------|--|-------|
| <input type="checkbox"/> | 190OD20 | Rear Backrest Extension Brackets (4" overall) | \$108 |
|--------------------------|---------|--|-------|

SECTION A - Standard Upholstery



1A: OMIT PUSH HANDLE OPTIONS W/ STANDARD UPHOLSTERY OR WHEN OMITTING UHOLSTERY

| | | | |
|--------------------------|--------|-------------------|----|
| <input type="checkbox"/> | 190PH2 | Omit Push Handles | NC |
|--------------------------|--------|-------------------|----|

Choose 0 or 1" Inset and Back Height

| | | | | | | | | | | |
|--------------------------|--------------------------|--------------------------------------|--|-----------|--------------------------|--------------|------------------------------------|-------------|--|----|
| <input type="checkbox"/> | 190D7 | 0 inset (straight back tubes) | NC | OR | <input type="checkbox"/> | 190D5 | 1" inset (N/A 8"-9" widths) | \$92 | | |
| | <input type="checkbox"/> | Setting | 6"- 8" Back Height | | NC | | <input type="checkbox"/> | Setting | 11"- 13" Back Height | NC |
| | | | <input type="checkbox"/> 6" <input type="checkbox"/> 7" <input type="checkbox"/> 8" | | | | | | <input type="checkbox"/> 11" <input type="checkbox"/> 12" <input type="checkbox"/> 13" | |
| | <input type="checkbox"/> | Setting | 9" - 13" Back Height | | NC | | <input type="checkbox"/> | Setting | 14" - 16" Back Height | NC |
| | | | <input type="checkbox"/> 9" <input type="checkbox"/> 10" <input type="checkbox"/> 11" <input type="checkbox"/> 12" <input type="checkbox"/> 13" | | | | | | <input type="checkbox"/> 14" <input type="checkbox"/> 15" <input type="checkbox"/> 16" | |
| | <input type="checkbox"/> | Setting | 13" - 17" Back Height | | NC | | <input type="checkbox"/> | Setting | 16" - 18" Back Height | NC |
| | | | <input type="checkbox"/> 13" <input type="checkbox"/> 14" <input type="checkbox"/> 15" <input type="checkbox"/> 16" <input type="checkbox"/> 17" | | | | | | <input type="checkbox"/> 16" <input type="checkbox"/> 17" <input type="checkbox"/> 18" | |
| | <input type="checkbox"/> | Setting | 15" - 18" Back Height | | NC | | | | | |
| | | | <input type="checkbox"/> 15" <input type="checkbox"/> 16" <input type="checkbox"/> 17" <input type="checkbox"/> 18" | | | | | | | |

2A: INTEGRAL PUSH HANDLE OPTIONS W/ STANDARD UPH.

| | | | |
|--------------------------|--------|-----------------------|----|
| <input type="checkbox"/> | 190PH6 | Integral Push Handles | NC |
|--------------------------|--------|-----------------------|----|

Choose 0 or 1" Inset and Back Height

| | | | | | | | | | | |
|--------------------------|--------------------------|--------------------------------------|--|-----------|--------------------------|--------------|------------------------------------|-------------|--|----|
| <input type="checkbox"/> | 190D7 | 0 inset (straight back tubes) | NC | OR | <input type="checkbox"/> | 190D5 | 1" inset (N/A 8"-9" widths) | \$92 | | |
| | <input type="checkbox"/> | Setting | 9"-10" Back Height | | NC | | <input type="checkbox"/> | Setting | 12"- 14" Back Height | NC |
| | | | <input type="checkbox"/> 9" <input type="checkbox"/> 10" | | | | | | <input type="checkbox"/> 12" <input type="checkbox"/> 13" <input type="checkbox"/> 14" | |
| | <input type="checkbox"/> | Setting | 11" - 15" Back Height | | NC | | <input type="checkbox"/> | Setting | 14" - 16" Back Height | NC |
| | | | <input type="checkbox"/> 11" <input type="checkbox"/> 12" <input type="checkbox"/> 13" <input type="checkbox"/> 14" <input type="checkbox"/> 15" | | | | | | <input type="checkbox"/> 14" <input type="checkbox"/> 15" <input type="checkbox"/> 16" | |
| | <input type="checkbox"/> | Setting | 13" - 16" Back Height | | NC | | <input type="checkbox"/> | Setting | 16" - 18" Back Height | NC |
| | | | <input type="checkbox"/> 13" <input type="checkbox"/> 14" <input type="checkbox"/> 15" <input type="checkbox"/> 16" | | | | | | <input type="checkbox"/> 16" <input type="checkbox"/> 17" <input type="checkbox"/> 18" | |
| | <input type="checkbox"/> | Setting | 15" - 18" Back Height | | NC | | | | | |
| | | | <input type="checkbox"/> 15" <input type="checkbox"/> 16" <input type="checkbox"/> 17" <input type="checkbox"/> 18" | | | | | | | |

SECTION B - Tension Adjustable Ballistic Nylon

1B: OMIT PUSH HANDLE OPTIONS W/ TENSION ADJ.

| | | | |
|--------------------------|--------|-------------------|----|
| <input type="checkbox"/> | 190PH2 | Omit Push Handles | NC |
|--------------------------|--------|-------------------|----|

Choose 0 or 1" Inset and Back Height

| | | | | | | | | | | |
|--------------------------|--------------------------|--------------------------------------|---|-----------|--------------------------|--------------|-------------------------------------|-------------|--|----|
| <input type="checkbox"/> | 190D7 | 0 inset (straight back tubes) | NC | OR | <input type="checkbox"/> | 190D5 | 1" inset (N/A 8"-11" widths) | \$92 | | |
| | <input type="checkbox"/> | Setting | 11"- 14" Back Height | | NC | | <input type="checkbox"/> | Setting | 11" - 13" Back Height | NC |
| | | | <input type="checkbox"/> 11" <input type="checkbox"/> 12" <input type="checkbox"/> 13" <input type="checkbox"/> 14" | | | | | | <input type="checkbox"/> 11" <input type="checkbox"/> 12" <input type="checkbox"/> 13" | |
| | <input type="checkbox"/> | Setting | 13" - 15" Back Height | | NC | | <input type="checkbox"/> | Setting | 14" - 16" Back Height | NC |
| | | | <input type="checkbox"/> 13" <input type="checkbox"/> 14" <input type="checkbox"/> 15" | | | | | | <input type="checkbox"/> 14" <input type="checkbox"/> 15" <input type="checkbox"/> 16" | |
| | <input type="checkbox"/> | Setting | 15" - 18" Back Height | | NC | | <input type="checkbox"/> | Setting | 16" - 18" Back Height | NC |
| | | | <input type="checkbox"/> 15" <input type="checkbox"/> 16" <input type="checkbox"/> 17" <input type="checkbox"/> 18" | | | | | | <input type="checkbox"/> 16" <input type="checkbox"/> 17" <input type="checkbox"/> 18" | |

2B: INTEGRAL PUSH HANDLE OPTIONS W/ TENSION ADJ.

| | | | |
|--------------------------|--|-----------------------|----|
| <input type="checkbox"/> | | Integral Push Handles | NC |
|--------------------------|--|-----------------------|----|

Choose 0 or 1" Inset and Back Height

| | | | | | | | | | | |
|--------------------------|--------------------------|--------------------------------------|---|-----------|--------------------------|--------------|-------------------------------------|-------------|--|----|
| <input type="checkbox"/> | 190D7 | 0 inset (straight back tubes) | NC | OR | <input type="checkbox"/> | 190D5 | 1" inset (N/A 8"-11" widths) | \$92 | | |
| | <input type="checkbox"/> | Setting | 9"-10" Back Height | | NC | | <input type="checkbox"/> | Setting | 12"- 14" Back Height | NC |
| | | | <input type="checkbox"/> 9" <input type="checkbox"/> 10" | | | | | | <input type="checkbox"/> 12" <input type="checkbox"/> 13" <input type="checkbox"/> 14" | |
| | <input type="checkbox"/> | Setting | 11" - 14" Back Height | | NC | | <input type="checkbox"/> | Setting | 14" - 16" Back Height | NC |
| | | | <input type="checkbox"/> 11" <input type="checkbox"/> 12" <input type="checkbox"/> 13" <input type="checkbox"/> 14" | | | | | | <input type="checkbox"/> 14" <input type="checkbox"/> 15" <input type="checkbox"/> 16" | |
| | <input type="checkbox"/> | Setting | 13" - 16" Back Height | | NC | | <input type="checkbox"/> | Setting | 16" - 18" Back Height | NC |
| | | | <input type="checkbox"/> 13" <input type="checkbox"/> 14" <input type="checkbox"/> 15" <input type="checkbox"/> 16" | | | | | | <input type="checkbox"/> 16" <input type="checkbox"/> 17" <input type="checkbox"/> 18" | |
| | <input type="checkbox"/> | Setting | 15" - 18" Back Height | | NC | | | | | |
| | | | <input type="checkbox"/> 15" <input type="checkbox"/> 16" <input type="checkbox"/> 17" <input type="checkbox"/> 18" | | | | | | | |

3B: FOLD DOWN PUSH HANDLE OPTIONS W/ TENSION ADJ.

| | | | |
|--------------------------|--------|------------------------|-------|
| <input type="checkbox"/> | 190PH5 | Fold Down Push Handles | \$102 |
|--------------------------|--------|------------------------|-------|

Choose 0 or 1" Inset and Back Height

| | | | | | | | | | | |
|--------------------------|--------------------------|--------------------------------------|---|-----------|--------------------------|--------------|-------------------------------------|-------------|--|----|
| <input type="checkbox"/> | 190D7 | 0 inset (straight back tubes) | NC | OR | <input type="checkbox"/> | 190D5 | 1" inset (N/A 8"-11" widths) | \$92 | | |
| | <input type="checkbox"/> | Setting | 11"-12" Back Height | | NC | | <input type="checkbox"/> | Setting | 15"- 17" Back Height | NC |
| | | | <input type="checkbox"/> 11" <input type="checkbox"/> 12" | | | | | | <input type="checkbox"/> 15" <input type="checkbox"/> 16" <input type="checkbox"/> 17" | |
| | <input type="checkbox"/> | Setting | 13" - 16" Back Height | | NC | | <input type="checkbox"/> | Setting | 17" - 18" Back Height | NC |
| | | | <input type="checkbox"/> 13" <input type="checkbox"/> 14" <input type="checkbox"/> 15" <input type="checkbox"/> 16" | | | | | | <input type="checkbox"/> 17" <input type="checkbox"/> 18" | |
| | <input type="checkbox"/> | Setting | 15" - 18" Back Height | | NC | | | | | |
| | | | <input type="checkbox"/> 15" <input type="checkbox"/> 16" <input type="checkbox"/> 17" <input type="checkbox"/> 18" | | | | | | | |

9. ARMRESTS

Armrest - Padded Swing Away

With Transit, Lose 1" Seat Depth Growth

| | | | | | | | | |
|--------------------------|--------------------------|---------|------------------------------|------------------------------|------------------------------|------------------------------|------------------------------|-------|
| <input type="checkbox"/> | 190AA23 | E0973 | Padded Swing Away - Low | | | | | \$258 |
| | <input type="checkbox"/> | Setting | <input type="checkbox"/> 5" | <input type="checkbox"/> 6" | <input type="checkbox"/> 7" | <input type="checkbox"/> 8" | <input type="checkbox"/> 9" | |
| <input type="checkbox"/> | 190AA18 | E0973 | Padded Swing Away - Std. | | | | | \$258 |
| | <input type="checkbox"/> | Setting | <input type="checkbox"/> 9" | <input type="checkbox"/> 10" | <input type="checkbox"/> 11" | <input type="checkbox"/> 12" | <input type="checkbox"/> 13" | |
| | | | <input type="checkbox"/> 14" | | | | | |

With Transit, Lose 1" Seat Depth Growth, below option adds 3" in Length

| | | | | | | | | |
|--------------------------|--------------------------|---------|------------------------------|------------------------------|------------------------------|------------------------------|------------------------------|-------|
| <input type="checkbox"/> | 190AA127 | E0973 | Padded Swing Away +3" - Low | | | | | \$258 |
| | <input type="checkbox"/> | Setting | <input type="checkbox"/> 5" | <input type="checkbox"/> 6" | <input type="checkbox"/> 7" | <input type="checkbox"/> 8" | <input type="checkbox"/> 9" | |
| <input type="checkbox"/> | 190AA128 | E0973 | Padded Swing Away+3" - Std. | | | | | \$258 |
| | <input type="checkbox"/> | Setting | <input type="checkbox"/> 9" | <input type="checkbox"/> 10" | <input type="checkbox"/> 11" | <input type="checkbox"/> 12" | <input type="checkbox"/> 13" | |
| | | | <input type="checkbox"/> 14" | | | | | |

Armrest - T-Post Foam (see armrest matrix below)

| | | | | |
|--------------------------|----------|-------|-----------------------|-------|
| <input type="checkbox"/> | 190AA129 | E0973 | T-Post Foam xtra tall | \$239 |
| <input type="checkbox"/> | 190AA130 | E0973 | T-Post Foam 2x tall | \$239 |

Armrest - Height Adjustable (see armrest matrix below)

Comes with std. armrest receiver only - N/A with 8"-9" depths

| | | | | |
|--------------------------|----------------|--------------|--|--------------|
| <input type="checkbox"/> | 190AA11 | E0973 | Single-Post Height Adj. Std. <i>(N/A with 8"-11" depths)</i> | \$326 |
| <input type="checkbox"/> | 190AM23 | | Desk Classic | NC |
| <input type="checkbox"/> | 190AM21 | | Desk Contour | NC |
| <input type="checkbox"/> | 190AM24 | | Full Classic | NC |
| <input type="checkbox"/> | 190AM22 | | Full Contour | NC |
| <input type="checkbox"/> | 190AA29 | E0973 | Single-Post Height Adj. Low. <i>(N/A with 8"-9" depths)</i> | \$326 |
| <input type="checkbox"/> | 190AM23 | | Desk Classic | NC |
| <input type="checkbox"/> | 190AM21 | | Desk Contour | NC |
| <input type="checkbox"/> | 190AM24 | | Full Classic | NC |
| <input type="checkbox"/> | 190AM22 | | Full Contour | NC |

Armrest Matrix for Single Post and T-Post

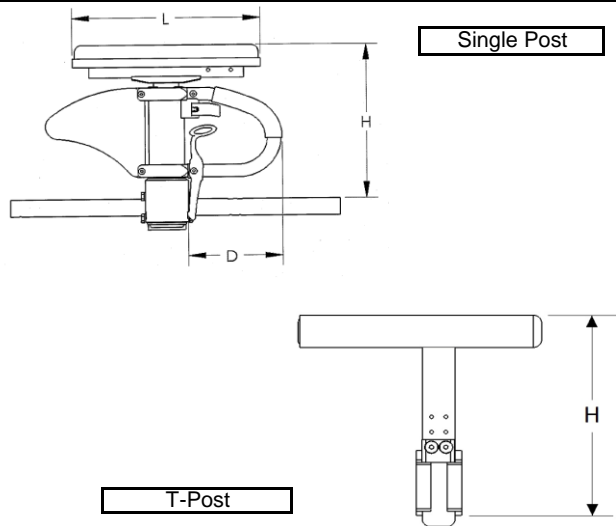
| Armrest Size | Transfer Tube Length (D) | CLASSIC PAD | | |
|--------------|--------------------------|-------------------|----------------|------|
| | | Height Range (H) | Pad Length (L) | |
| | | | Desk | Full |
| STD | 8" | 8" to 13" | 10-1/4" | 14" |
| LOW | 5-1/4" | 6-1/2" to 10-1/2" | | |

| Armrest Size | Transfer Tube Length (D) | CONTOUR PAD | | |
|--------------|--------------------------|-------------------|----------------|---------|
| | | Height Range (H) | Pad Length (L) | |
| | | | Desk | Full |
| STD | 8" | 7-1/2" to 12-1/2" | 10-1/2" | 14-1/4" |
| LOW | 5-1/4" | 6" to 10" | | |

| | | | | |
|-----|--------|-------------------|---------|---------|
| STD | 8" | 7-1/2" to 12-1/2" | 10-1/2" | 14-1/4" |
| LOW | 5-1/4" | 6" to 10" | | |

Armrest - T-Post Foam

| Armrest Size | Height Range (H) | Pad Length (L) |
|--------------|------------------|----------------|
| Xtra Tall | 6" to 7" | 7-1/2" |
| 2X Tall | 7" to 8" | 7-1/2" |



10. FOOTRESTS

Front Seat Height Matrix

| Footrest | | | |
|--------------------------|---------|---|-------|
| <input type="checkbox"/> | 190F228 | Aluminum Tubular | NC |
| <input type="checkbox"/> | 190F273 | Aluminum Tubular w/ Snap-On Cover | \$35 |
| <input type="checkbox"/> | 190F50 | K0040 Aluminum Platform (8" width is only available with high mount option) | \$108 |
| <input type="checkbox"/> | 190F276 | K0040 Angle Adj. Flip Back (N/A with 6" caster with an 8" width) | \$212 |

| Adaptive Platform Spacers | | | |
|---|--------|-----------------------------|-------|
| N/A with Aluminum Tubular. Now available with Angle Adj. Flip Back. | | | |
| <input type="checkbox"/> | 190AD1 | Adaptive Platform 2" Spacer | \$108 |
| <input type="checkbox"/> | 190AD2 | Adaptive Platform 4" Spacer | \$108 |
| <input type="checkbox"/> | 190AD3 | Adaptive Platform 6" Spacer | \$108 |

| Footrest Options (see matrix below) | | | |
|-------------------------------------|---------|---|-------|
| <input type="checkbox"/> | 190DI08 | High Mount Ext Tubes (N/A w/ tubular footrest; N/A w/ 16" wide flared frame) ** | \$86 |
| <input type="checkbox"/> | 190DI03 | K0038 Leg Strap | \$46 |
| <input type="checkbox"/> | 190DI04 | Extra Leg Strap | \$41 |
| <input type="checkbox"/> | 190DI05 | Gel Hanger Cover | \$121 |
| <input type="checkbox"/> | 190DI07 | Neoprene Impact Guards | \$103 |
| <input type="checkbox"/> | 190DI02 | Wear Pads | \$57 |

SEAT SLING TO FOOTREST DISTANCE (based on 1" Seat Angle)

*Seat to Footrest distances may be +/- 1" from data shown dep. on frame type.

** High mount can adj. full range to seat sling

Note: Flip back may interfere with sling at highest settings.

| FSH | Caster | *Minimum | *Maximum |
|-------|--------|----------|----------|
| 14.5" | 3" | 10.4" | 11.4" |
| 14.5" | 4" | 9.4" | 10.9" |
| 15.0" | 3" | 11.4" | 12.4" |
| 15.0" | 4" | 10.4" | 11.9" |
| 15.0" | 5" | 9.4" | 11.4" |
| 15.5" | 3" | 11.4" | 12.4" |
| 15.5" | 4" | 10.4" | 11.9" |
| 15.5" | 5" | 10.4" | 12.4" |
| 15.5" | 6" | 9.4" | 11.9" |
| 16.0" | 3" | 12.4" | 13.4" |
| 16.0" | 4" | 12.4" | 13.9" |
| 16.0" | 5" | 10.4" | 12.4" |
| 16.0" | 6" | 10.4" | 12.9" |
| 16.5" | 3" | 12.4" | 13.4" |
| 16.5" | 4" | 11.4" | 12.9" |
| 16.5" | 5" | 10.4" | 12.4" |
| 16.5" | 6" | 10.4" | 12.9" |
| 17.0" | 3" | 13.4" | 14.4" |
| 17.0" | 4" | 12.4" | 13.9" |
| 17.0" | 5" | 11.4" | 13.4" |
| 17.0" | 6" | 11.4" | 13.9" |
| 17.5" | 3" | 13.4" | 14.4" |
| 17.5" | 4" | 12.4" | 13.9" |
| 17.5" | 5" | 11.4" | 13.4" |
| 17.5" | 6" | 11.4" | 13.9" |
| 18.0" | 3" | 14.4" | 15.4" |
| 18.0" | 4" | 13.4" | 14.9" |
| 18.0" | 5" | 12.4" | 14.4" |
| 18.0" | 6" | 11.4" | 13.9" |
| 18.5" | 3" | 14.4" | 15.4" |
| 18.5" | 4" | 14.4" | 15.9" |
| 18.5" | 5" | 12.4" | 14.4" |
| 18.5" | 6" | 12.4" | 14.9" |
| 19.0" | 3" | 14.4" | 15.4" |
| 19.0" | 4" | 14.4" | 15.9" |
| 19.0" | 5" | 12.4" | 14.4" |
| 19.0" | 6" | 12.4" | 14.9" |

Not Available with 1" Inset

| Front Caster | | | | |
|--------------------------------|--------------------------------|--------------------------------|--------------------------------|--------------------------------|
| Rear Wheel Size | <input type="checkbox"/> 3" | <input type="checkbox"/> 4" | <input type="checkbox"/> 5" | <input type="checkbox"/> 6" |
| 20" | <input type="checkbox"/> 14.0" | <input type="checkbox"/> 14.0" | N/A | N/A |
| | <input type="checkbox"/> 14.5" | <input type="checkbox"/> 14.5" | | |
| | <input type="checkbox"/> 15.0" | <input type="checkbox"/> 15.0" | <input type="checkbox"/> 15.0" | |
| | <input type="checkbox"/> 15.5" | <input type="checkbox"/> 15.5" | <input type="checkbox"/> 15.5" | <input type="checkbox"/> 15.5" |
| | <input type="checkbox"/> 16.0" | <input type="checkbox"/> 16.0" | <input type="checkbox"/> 16.0" | <input type="checkbox"/> 16.0" |
| | <input type="checkbox"/> 16.5" | <input type="checkbox"/> 16.5" | <input type="checkbox"/> 16.5" | <input type="checkbox"/> 16.5" |
| | <input type="checkbox"/> 17.0" | <input type="checkbox"/> 17.0" | <input type="checkbox"/> 17.0" | <input type="checkbox"/> 17.0" |
| | <input type="checkbox"/> 17.5" | <input type="checkbox"/> 17.5" | <input type="checkbox"/> 17.5" | <input type="checkbox"/> 17.5" |
| | <input type="checkbox"/> 18.0" | <input type="checkbox"/> 18.0" | <input type="checkbox"/> 18.0" | <input type="checkbox"/> 18.0" |
| | <input type="checkbox"/> 18.5" | <input type="checkbox"/> 18.5" | <input type="checkbox"/> 18.5" | <input type="checkbox"/> 18.5" |
| <input type="checkbox"/> 19.0" | <input type="checkbox"/> 19.0" | <input type="checkbox"/> 19.0" | <input type="checkbox"/> 19.0" | |
| 22" | <input type="checkbox"/> 15.5" | <input type="checkbox"/> 15.5" | <input type="checkbox"/> 15.5" | <input type="checkbox"/> 15.5" |
| | <input type="checkbox"/> 16.0" | <input type="checkbox"/> 16.0" | <input type="checkbox"/> 16.0" | <input type="checkbox"/> 16.0" |
| | <input type="checkbox"/> 16.5" | <input type="checkbox"/> 16.5" | <input type="checkbox"/> 16.5" | <input type="checkbox"/> 16.5" |
| | <input type="checkbox"/> 17.0" | <input type="checkbox"/> 17.0" | <input type="checkbox"/> 17.0" | <input type="checkbox"/> 17.0" |
| | <input type="checkbox"/> 17.5" | <input type="checkbox"/> 17.5" | <input type="checkbox"/> 17.5" | <input type="checkbox"/> 17.5" |
| | <input type="checkbox"/> 18.0" | <input type="checkbox"/> 18.0" | <input type="checkbox"/> 18.0" | <input type="checkbox"/> 18.0" |
| | <input type="checkbox"/> 18.5" | <input type="checkbox"/> 18.5" | <input type="checkbox"/> 18.5" | <input type="checkbox"/> 18.5" |
| <input type="checkbox"/> 19.0" | <input type="checkbox"/> 19.0" | <input type="checkbox"/> 19.0" | <input type="checkbox"/> 19.0" | |
| 24" | <input type="checkbox"/> 16.0" | <input type="checkbox"/> 16.0" | <input type="checkbox"/> 16.0" | <input type="checkbox"/> 16.0" |
| | <input type="checkbox"/> 16.5" | <input type="checkbox"/> 16.5" | <input type="checkbox"/> 16.5" | <input type="checkbox"/> 16.5" |
| | <input type="checkbox"/> 17.0" | <input type="checkbox"/> 17.0" | <input type="checkbox"/> 17.0" | <input type="checkbox"/> 17.0" |
| | <input type="checkbox"/> 17.5" | <input type="checkbox"/> 17.5" | <input type="checkbox"/> 17.5" | <input type="checkbox"/> 17.5" |
| | <input type="checkbox"/> 18.0" | <input type="checkbox"/> 18.0" | <input type="checkbox"/> 18.0" | <input type="checkbox"/> 18.0" |
| | <input type="checkbox"/> 18.5" | <input type="checkbox"/> 18.5" | <input type="checkbox"/> 18.5" | <input type="checkbox"/> 18.5" |
| <input type="checkbox"/> 19.0" | <input type="checkbox"/> 19.0" | <input type="checkbox"/> 19.0" | <input type="checkbox"/> 19.0" | |

FRONT SEAT HEIGHTS ARE SHOWN IN THE BOXES ABOVE.
 DEPENDING ON CG SETTING, SEAT DEPTH, AND FRAME SIZE SOME
 OF THE ABOVE SIZES MAY NOT BE AVAILABLE

11. CASTERS

Caster Wheel

| | | | | |
|--------------------------|---------|-------|---|-------|
| <input type="checkbox"/> | 190CW1 | | 3" Micro | NC |
| <input type="checkbox"/> | 190CW3 | | 4" Low-Profile Polyurethane | NC |
| <input type="checkbox"/> | 190CW31 | | 4" Micro Light Up | \$80 |
| <input type="checkbox"/> | 190CW64 | | 4" x 1.5" Aluminum Soft Roll | \$212 |
| <input type="checkbox"/> | 190CW5 | | 5" Low-Profile Polyurethane | NC |
| <input type="checkbox"/> | 190CW51 | | 5" Micro Light Up | \$100 |
| <input type="checkbox"/> | 190CW6 | E2219 | 5" Soft Roll (Grey) (N/A with Frog Legs) | \$103 |

| | | | | |
|--------------------------|---------|--|----------------------------|-------|
| <input type="checkbox"/> | 190CW7 | | 5"x1.5" Semi-Pneumatic | \$98 |
| <input type="checkbox"/> | 190CW66 | | 5"x1.5" Aluminum Soft Roll | \$223 |
| <input type="checkbox"/> | 190CW34 | | 6" Poly | NC |
| <input type="checkbox"/> | 190CW35 | | 6"x1.5" Semi-Pneumatic | \$98 |

Caster Forks and Suspension

| | | | | |
|--------------------------|---------|-------|-----------------------------|-------|
| <input type="checkbox"/> | 190CF65 | | Multiple Position | NC |
| <input type="checkbox"/> | 190CF69 | | Multi Position Single Sided | \$144 |
| <input type="checkbox"/> | 190CF53 | E1015 | Frog Legs 0 - 100 lbs. | \$497 |
| <input type="checkbox"/> | 190CF70 | E1015 | Frog Legs 101 - 165 lbs. | \$497 |

12. AXLES AND WHEELS

Axle Plate

| | | | | |
|--------------------------|---------|--|---|----|
| <input type="checkbox"/> | 190AL61 | | Adjustable (COG Adjustable -0.25" through 2.25" in 0.25" increments) | NC |
|--------------------------|---------|--|---|----|

Center of Gravity Preset

Dependent on wheels, casters & depth

| | | | | |
|--------------------------|---------|--|---------------------------|----|
| <input type="checkbox"/> | 190CC21 | | -0.25" | NC |
| <input type="checkbox"/> | 190CC26 | | 0.00" (Flush w/ backrest) | NC |
| <input type="checkbox"/> | 190CC22 | | 0.25" | NC |
| <input type="checkbox"/> | 190CC16 | | 0.50" | NC |
| <input type="checkbox"/> | 190CC23 | | 0.75" | NC |
| <input type="checkbox"/> | 190CC20 | | 1.00" | NC |
| <input type="checkbox"/> | 190CC24 | | 1.25" | NC |
| <input type="checkbox"/> | 190CC15 | | 1.50" | NC |
| <input type="checkbox"/> | 190CC25 | | 1.75" | NC |
| <input type="checkbox"/> | 190CC17 | | 2.00" | NC |
| <input type="checkbox"/> | 190CC27 | | 2.25" | NC |

Camber

| | | | | |
|--------------------------|--------|--|---|----|
| <input type="checkbox"/> | 190C11 | | 0° | NC |
| <input type="checkbox"/> | 190C12 | | 3° | NC |
| <input type="checkbox"/> | 190C14 | | 6° (N/A with Std Mag, 5 spk MAG Wheels and Hub locks or Side guard Hub locks) | NC |

Rear Seat Height

Can not exceed 2.5" drop

| | | | | |
|--------------------------|---------|--|-------|----|
| <input type="checkbox"/> | 190RH13 | | 14" | NC |
| <input type="checkbox"/> | 190RH14 | | 14.5" | NC |
| <input type="checkbox"/> | 190RH15 | | 15" | NC |
| <input type="checkbox"/> | 190RH16 | | 15.5" | NC |
| <input type="checkbox"/> | 190RH17 | | 16" | NC |
| <input type="checkbox"/> | 190RH18 | | 16.5" | NC |
| <input type="checkbox"/> | 190RH19 | | 17" | NC |
| <input type="checkbox"/> | 190RH26 | | 17.5" | NC |
| <input type="checkbox"/> | 190RH20 | | 18" | NC |
| <input type="checkbox"/> | 190RH27 | | 18.5" | NC |
| <input type="checkbox"/> | 190RH21 | | 19" | NC |

Rear Seat Height Minimum

| Rear Wheel | 14.0" | 14.5" | 15.0" | 15.5" | 16.0" | 16.5" | 17.0" | 17.5" | 18.0" | 18.5" | 19.0" |
|------------|-------|-------|-------|-------|-------|-------|-------|-------|-------|-------|-------|
| 20" | | | | | | | | | | | |
| 22" | | | | | | | | | | | |
| 24" | | | | | | | | | | | |

** With 22" & 24" rear wheels and KIK or HP Clinchers, you may get an additional 1/2" lower seat height in some scenarios.*

Rear Wheels

| | | | | |
|--------------------------|----------|--|---------------------------------------|---------|
| <input type="checkbox"/> | 190RW3 | | 20" Mag | NC |
| <input type="checkbox"/> | 190RW8 | | 22" Mag | NC |
| <input type="checkbox"/> | 190RW1 | | 24" Mag | NC |
| <input type="checkbox"/> | 190RW103 | | 20" Mag Wheel 5 Spoke | NC |
| <input type="checkbox"/> | 190RW104 | | 22" Mag Wheel 5 Spoke | NC |
| <input type="checkbox"/> | 190RW102 | | 24" Mag Wheel 5 Spoke | NC |
| <input type="checkbox"/> | 190RW74 | | 20" Lite Spoke Wheel | \$229 |
| <input type="checkbox"/> | 190RW75 | | 22" Lite Spoke Wheel | \$229 |
| <input type="checkbox"/> | 190RW76 | | 24" Lite Spoke Wheel | \$229 |
| <input type="checkbox"/> | 190RW06 | | 22" Ultra lightweight Spoke Wheel 2.0 | \$286 |
| <input type="checkbox"/> | 190RW10 | | 24" Ultra Lightweight Spoke Wheel 2.0 | \$286 |
| <input type="checkbox"/> | 190RW28 | | 22" Spinergy SPOX Black Spokes | \$938 |
| <input type="checkbox"/> | 190RW95 | | 24" Spinergy SPOX Black Spokes | \$938 |
| <input type="checkbox"/> | 190RW32 | | 22" Spinergy LX Black Spokes | \$1,173 |
| <input type="checkbox"/> | 190RW98 | | 24" Spinergy LX Black Spokes | \$1,173 |

Rear Wheel Tire

| | | | | |
|--------------------------|---------|----------------|----------------------------------|-------|
| <input type="checkbox"/> | 190RT3 | | Full Poly Tire | NC |
| <input type="checkbox"/> | 190RT6 | E2211 E2212 | High Pressure Clincher | \$108 |
| <input type="checkbox"/> | 190RT38 | E2218 | SHOX Performance Poly | \$108 |
| <input type="checkbox"/> | 190RT27 | E2211 E2212 | Knobby V-TRAK by Kenda | \$108 |
| <input type="checkbox"/> | 190RT1 | | Pneumatic | NC |
| <input type="checkbox"/> | 190RT2 | E2211 E2213 | Pneumatic Airless Insert | \$98 |
| <input type="checkbox"/> | 190RT21 | E2211 E2212 | Schwalbe Marathon Plus Evolution | \$161 |
| <input type="checkbox"/> | 190RT28 | E2211 E2212 | Schwalbe Speed | \$161 |
| <input type="checkbox"/> | 190RT4 | | Low Poly | NC |

| | Wheel | 5 Spoke Mag | Mag | Lite Spoke | Ultra Light-weight | Spinergy |
|---------------------------|-------|-------------|-------------|-------------|--------------------|----------|
| Tire | | | | | | |
| Full Poly Tire | | 20",22",24" | 20",22",24" | 20",22" | N/A | N/A |
| High Pressure Clincher | | N/A | N/A | 22",24" | 24" | 22",24" |
| SHOX Performance Poly | | 20",22",24" | 24" | 24" | | 24" |
| Knobby V-TRAK | | N/A | N/A | 24" | N/A | 24" |
| Pneumatic | | 20",22",24" | 20",22",24" | 20",22",24" | | 22",24" |
| Pneumatic Airless Insert | | 20",22",24" | 20",22",24" | 20",22",24" | | 22",24" |
| Schwalbe Marathon Plus | | N/A | N/A | 24" | 22",24" | 22",24" |
| Schwalbe Speed Run | | N/A | N/A | 24" | 24" | 22",24" |
| Low Poly | | 24" | 20",22",24" | 20",22",24" | N/A | N/A |
| 22" = 489 mm 24" = 540 mm | | | | | | |

12. AXLES AND WHEELS (Cont.)

22" Rear Wheels w/ 5" Casters & 3° or 6° of Camber 0" Frame Inset

Not available in 12" or less seat depths

- 13" Seat Depth
- Must have front seat to floor height at least 17" in the front and 15-1/2" in the rear.
 - You can increase STFs but must keep 1-1/2" dump.
 - If you change camber to 0° you can get away with 1" dump
 - You must choose COG setting of -1/4".
- 14" Seat Depth
- Able to get away with 1" seat dump with a minimum of 15-1/2" in the Rear and 16-1/2" in Front.
 - Can have COG set as far forward as +1/4".
- 15" Seat Depth
- Able to get away with 1" seat dump with min of 15" Rear STF and 16" Front STF
 - COG can be adjusted as far forward as 1".

22" Rear Wheels w/ 4" Casters, 3° or 6° of Camber, and 0" Frame Inset

Not available in 8" or 9" seat depths.

- 10" Seat Depth
- Must have at least a 15" Rear STF and 16" Front STF.
 - COG setting must be -1/4".
 - If you increase Rear STF to 15-1/2" and 16-1/2" Front STF you can move COG to 0".
 - If you increase the dump to 1 1/2" (15 R-STF and 16 1/2" F-STF) or change Camber to 0 degrees you can increase COG to 1/4".
- 11" Seat Depth
- Same as 10" Seat Depth, just allows you to have COG setting a 1/4"
- 12" Seat Depth
- Must have at least 15" Rear STF and 15-1/2" Front STF.
 - COG setting can be as far forward as 1/2".
 - If you increase the dump to 1" instead of 1/2" you can increase COG as far forward as 1".

24" Rear Wheels w/ 4" Casters, 3° or 6° Camber, and 0" Frame Inset

Not available in 10" seat depths or less.

- 11" Seat Depth
- Must have at least a 16" Rear STF and 17" Front STF.
 - COG setting can be 0" or -1/4".
- 12" Seat Depth
- Must have at least 16" Rear STF and 17" Front STF.
 - COG setting can be as far forward as 1". (Camber must be 3 degrees)
 - If camber is 6° than COG can only be as far forward as 3/4"

Handrim

| | | | |
|--------------------------|---------|--|-------|
| <input type="checkbox"/> | 190HR1 | Aluminum Anodized | NC |
| <input type="checkbox"/> | 190HR4 | Plastic Coated (N/A on Ultra) | \$126 |
| <input type="checkbox"/> | 190HR22 | Natural Fit - Standard Grip (N/A on Ultra Lite, 20" Lite Spoke or 20" and 22" 5 spk MAG) | \$538 |
| <input type="checkbox"/> | 190HR23 | Natural Fit - Super Grip (N/A on Ultra Lite, 20" Lite Spoke or 20" and 22" 5 spk MAG) | \$599 |
| <input type="checkbox"/> | 190HR30 | Natural Fit LT - Standard Grip (N/A on Ultra Lite, 20" Lite Spoke or 20" and 22" 5 spk MAG) | \$538 |
| <input type="checkbox"/> | 190HR31 | Natural Fit LT - Super Grip (N/A on Ultra Lite, 20" Lite Spoke or 20" and 22" 5 spk MAG) | \$599 |
| <input type="checkbox"/> | 190HR24 | Spinergy Flex Rim (Only on 24" Spinergy LX) | \$800 |
| <input type="checkbox"/> | 190HR7 | Omit Handrim (Only on Mag, 24 Spinergy) | NC |

Axle

| | | | |
|--------------------------|--------|---------------------|----|
| <input type="checkbox"/> | 190AX1 | Quick Release Steel | NC |
|--------------------------|--------|---------------------|----|

Hub Lock

Only available with Lite Spokes; N/A with 6° camber

| | | | |
|--------------------------|---------|--|-------|
| <input type="checkbox"/> | 190LK03 | Seat Frame Mount (Side Guard - See Below) | \$114 |
|--------------------------|---------|--|-------|

Side Guard (N/A with Ht. Adj. Armrest or T-Post)

| | | | |
|--------------------------|---------|--|-------|
| <input type="checkbox"/> | 190SG33 | Plastic Standard (N/A 8"-9" depth; N/A w/ low padded swing aways.) | \$166 |
| <input type="checkbox"/> | 190SG29 | Plastic Low (N/A 8"-9" depth; N/A w/ Padded Swing Aways low setting 5&6) | \$166 |
| <input type="checkbox"/> | 190SG7 | Aluminum Folding | \$212 |

Aluminum Side Guard Color Option

Only available with Aluminum Side Guard

| | | | |
|--------------------------|---------|-------------------------------------|------|
| <input type="checkbox"/> | 190GE01 | Black | NC |
| <input type="checkbox"/> | 190GE02 | Matching Frame - Std. Colors | NC |
| <input type="checkbox"/> | 190GE03 | Matching Frame - Personalized Color | \$56 |

Anti-Tip

| | | | | |
|--------------------------|--------|-------|---|-------|
| <input type="checkbox"/> | 190AT1 | E0971 | Rear Anti-Tips (N/A w/ Dynamic Center Rear Caster) | \$172 |
|--------------------------|--------|-------|---|-------|

Dynamic Center Rear Caster

| | | | | |
|--------------------------|---------|-------|---|-------|
| <input type="checkbox"/> | 1908A20 | E0971 | Dynamic Center Rear Caster (N/A w/ Rear Anti-Tips) | \$338 |
|--------------------------|---------|-------|---|-------|

Wheel Lock

| | | | |
|--------------------------|---------|-----------------|-------|
| <input type="checkbox"/> | 190WL1 | High Mount Push | NC |
| <input type="checkbox"/> | 190WL2 | High Mount Pull | NC |
| <input type="checkbox"/> | 190WL30 | Compact | \$161 |
| <input type="checkbox"/> | 190WL10 | Omit Wheel Lock | NC |

Extension Handle

| | | | | |
|--------------------------|--------|-------|---------|------|
| <input type="checkbox"/> | 190EH1 | E0961 | 6" Pair | \$86 |
|--------------------------|--------|-------|---------|------|

13. ACCESSORIES

Back Pack (Kids Backpack included)

| | | | | |
|--------------------------|-------|--|--------------------------------|------|
| <input type="checkbox"/> | 190A1 | | Utility Backpack - Black | \$86 |
| <input type="checkbox"/> | 190A2 | | Additional Kids Black Backpack | \$69 |
| <input type="checkbox"/> | 190A8 | | Black Seat Pouch | \$57 |

Miscellaneous

| | | | | |
|--------------------------|---------|-------|---------------|-------|
| <input type="checkbox"/> | 190A203 | E2207 | Crutch Holder | \$223 |
| <input type="checkbox"/> | 190A83 | | Tool Kit | \$62 |

Positioning Belt (w/ clamps)

| | | | | |
|--------------------------|---------|-------|----------------------------------|-------|
| <input type="checkbox"/> | 190A112 | E0978 | 1" Dual Pull Side Squeeze Padded | \$98 |
| <input type="checkbox"/> | 190A117 | E0978 | Belt 2" Aircraft Buckle | \$126 |
| <input type="checkbox"/> | 190A118 | E0978 | Belt 2" Aircraft Buckle Padded | \$136 |
| <input type="checkbox"/> | 190A141 | E0978 | Belt 1.5" Auto Buckle w/ clamps | \$80 |
| <input type="checkbox"/> | 190A814 | E0978 | 1" Comfort Fit APB5116 | \$136 |
| <input type="checkbox"/> | 190A120 | K0108 | Positioning Belt Side Clamp | \$57 |

Spoke Guard

Not available with 5 spoke MAG wheels

| | | | | |
|--------------------------|---------|-------|---|-------|
| <input type="checkbox"/> | 190A23 | K0065 | Black | \$131 |
| <input type="checkbox"/> | 190A303 | K0065 | Spoke Guards Clear Zippie (N/A with Spinergy) | \$131 |

Upper Extremity Support Tray

| | | | | |
|--------------------------|--------|-------|--------------------------------|-------|
| <input type="checkbox"/> | 190A29 | E0950 | X-Sm (Suggested 10"-12" Width) | \$292 |
| <input type="checkbox"/> | 190A30 | E0950 | Sm (Suggested 13"-14" Width) | \$292 |
| <input type="checkbox"/> | 190A31 | E0950 | Med (Suggested 15"-17" Width) | \$292 |
| <input type="checkbox"/> | 190A32 | E0950 | Lrg (Suggested 18"-20" Width) | \$305 |

Canopy

| | | | | |
|--------------------------|---------|-------|-----------------------------|-------|
| <input type="checkbox"/> | 1908A06 | K0108 | Canopy (Sunshade) 10" - 17" | \$315 |
| <input type="checkbox"/> | 1908A07 | K0108 | Canopy (Sunshade) 18" - 20" | \$315 |

14. FRAME COLOR

Standard Colors

| | | | | |
|--------------------------|---------|--|------------------------------|----|
| <input type="checkbox"/> | 190C140 | | Aztec Gold | NC |
| <input type="checkbox"/> | 190C118 | | Bead Blast | NC |
| <input type="checkbox"/> | 190C2 | | Black (N/A as base w/ Zebra) | NC |
| <input type="checkbox"/> | 190C141 | | Black Cherry | NC |
| <input type="checkbox"/> | 190C10 | | Black Opal | NC |
| <input type="checkbox"/> | 190C38 | | Blue Opal | NC |
| <input type="checkbox"/> | 190C36 | | Candy Blue | NC |
| <input type="checkbox"/> | 190C14 | | Candy Purple | NC |
| <input type="checkbox"/> | 190C35 | | Candy Red | NC |
| <input type="checkbox"/> | 190C142 | | Electric Blue | NC |
| <input type="checkbox"/> | 190C143 | | Evergreen | NC |
| <input type="checkbox"/> | 190C126 | | Glow | NC |
| <input type="checkbox"/> | 190C144 | | Green Apple | NC |
| <input type="checkbox"/> | 190C147 | | Hot Sparkle Pink | NC |
| <input type="checkbox"/> | 190C148 | | Mauve Pink | NC |
| <input type="checkbox"/> | 190C103 | | Rootbeer | NC |
| <input type="checkbox"/> | 190C114 | | Sparkle Silver | NC |
| <input type="checkbox"/> | 190C145 | | Sunrise Orange | NC |
| <input type="checkbox"/> | 190C113 | | Titanium Color Paint | NC |
| <input type="checkbox"/> | 190C8 | | Yellow | NC |

Standard Matte Colors

| | | | | |
|--------------------------|---------|--|---------------------|----|
| <input type="checkbox"/> | 190C116 | | Matte Black | NC |
| <input type="checkbox"/> | 190C151 | | Matte Black Cherry | NC |
| <input type="checkbox"/> | 190C152 | | Matte Purple | NC |
| <input type="checkbox"/> | 190C150 | | Matte Electric Blue | NC |
| <input type="checkbox"/> | 190C149 | | Matte Evergreen | NC |

Personalized Colors

| | | | | |
|--------------------------|---------|--|---|-------|
| <input type="checkbox"/> | 190C43 | | Mossy Oak Camouflage | \$451 |
| <input type="checkbox"/> | 190C42 | | Stars and Stripes | \$451 |
| <input type="checkbox"/> | 190C108 | | Zebra (Choose base color above: White Std. N/A black) | \$451 |

Anodized Color Package

Forks, Backrest Bracket, Rear Axle Sleeve; If Frog Legs are chosen, forks will be black

| | | | | |
|--------------------------|---------|--|---------|-------|
| <input type="checkbox"/> | 190EB07 | | Black | NC |
| <input type="checkbox"/> | 190EB08 | | Blue | \$183 |
| <input type="checkbox"/> | 190EB13 | | Gold | \$183 |
| <input type="checkbox"/> | 190EB09 | | Green | \$183 |
| <input type="checkbox"/> | 190EB11 | | Red | \$183 |
| <input type="checkbox"/> | 190EB12 | | Ti Grey | \$183 |

Additional Options Through Built-4-Me

To inquire about any unique personalization for Quickie products, contact: Phone: (800) 333 - 4000, Fax: (800) 333 9011

Commonly Requested Options Include:

- ✓ Aluminum Seat Pan
- ✓ Swing Away Knee Aductor
- ✓ Height Adjustable Stroller Handle
- ✓ Removable Stroller Handle
- ✓ Personalized Paint and Anodizing



Sunrise Medical (US) LLC
2842 Business Park Ave. · Fresno, CA 93727 · USA