



AES Li'l Kiddos
Made To Order Seating
 January 2022

Mark For: _____ Date: _____ Dealer Acct #: _____ Dealer: _____ Dealer Contact: _____ Dealer Address: _____ Dealer City: _____ ST: _____ ZIP: _____ Dealer Phone: () _____ Fax: () _____ Confirmation Email: _____ Confirm Via: <input type="checkbox"/> Fax <input type="checkbox"/> Email	Submitting for: <input type="checkbox"/> Quote <input type="checkbox"/> Order PO#: _____ <p style="text-align: center;">ADDITIONAL SHIPPING INFORMATION</p> Ship To: _____ Attention: _____ Address: _____ Address: _____ Ship To City: _____ ST: _____ ZIP: _____ Ship To Phone: () _____ Fax: () _____
--	---

The **HCPCS CODES** herein are based on PDAC verification or interpretation of Medicare definitions and guidelines. Non-Medicare payers may accept alternative **HCPCS CODES**, including misc. codes to ensure access for their enrollees. The use of **HCPCS CODES** does not ensure coverage or payment.

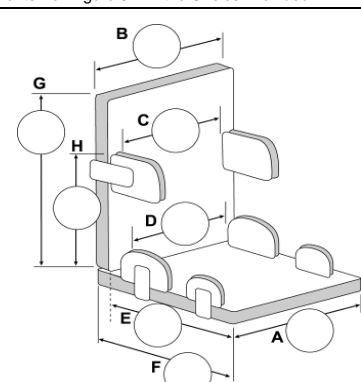
✓	Option #	HCPCS	Definition	Price	✓	Option #	HCPCS	Definition	Price
---	----------	-------	------------	-------	---	----------	-------	------------	-------

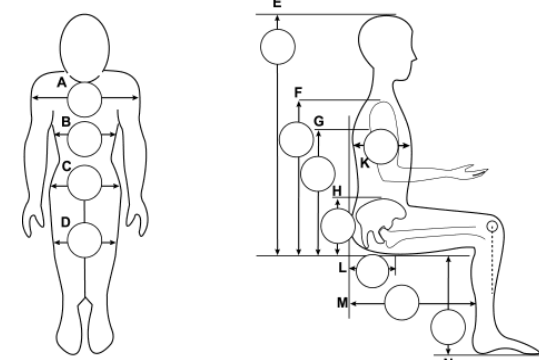
Thank you for choosing AES. In order to complete your order please complete the 3 sections below.

- (1) Wheelchair Information
- (2) Client Measurements
- (3) Seat Dimensions

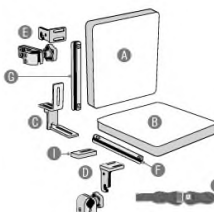
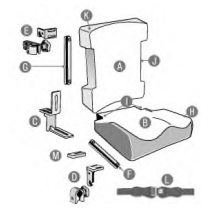
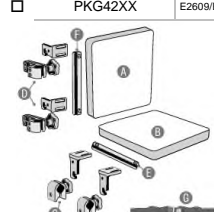
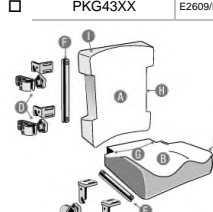
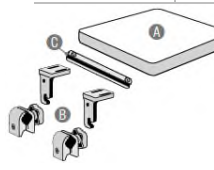
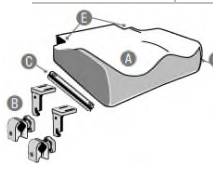
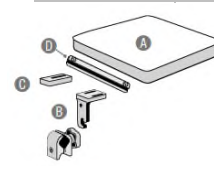
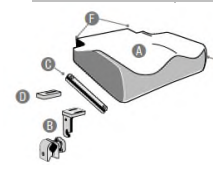

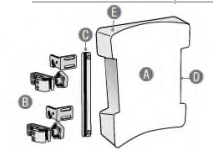
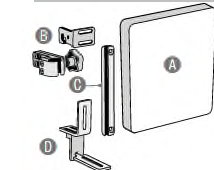
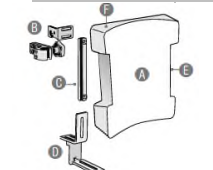
After completing these three sections please select your desired Seating System Package. (Seat & Back Package or Seat and/or Back Packages). Next you can select from all of our modifications to personalize the size, shape, foam, and countless others to fit your clients unique needs. Then if needed pick from a selection of Lateral Supports (Thoracic, Medial, etc.). Once your seating system is complete don't forget about Anterior Trunk Supports, Pelvic Supports, Knee Supports, Shoe Holders, and much more. Of course if you have any questions please feel free to contact our experienced Customer Service Team to help complete your AES order.

1. WHEELCHAIR INFORMATION (REQUIRED)	
Model: _____	Model: _____
Color: _____	
Tubing Size	3/4" 7/8" 1"
Seat	<input type="checkbox"/> <input type="checkbox"/> <input type="checkbox"/>
Back	<input type="checkbox"/> <input type="checkbox"/> <input type="checkbox"/>
Frame Width:	Depth: Push Handle Ht: _____
Chair Type:	<input type="checkbox"/> Manual <input type="checkbox"/> Power
Installation:	<input type="checkbox"/> To Frame
Hinges:	<input type="checkbox"/> Flush Bk to Seat <input type="checkbox"/> Offset Bk to Seat <input type="checkbox"/> 1.5" <input type="checkbox"/> 3" <input type="checkbox"/> Adj.
Full Width Mount:	<input type="checkbox"/> Back <input type="checkbox"/> Seat
Btwn Rail Mount:	<input type="checkbox"/> Back <input type="checkbox"/> Seat
Monogram:	<input type="checkbox"/> MOD5900 BLOCK <input type="checkbox"/> MOD5901 SCRIPT
<i>Note: Standard first letter is capitalized the rest are lower case.</i>	
Name:	_____
Thread Color:	_____
Client Contact Surface:	_____
Client Contact Color:	_____
Non-contact Surface:	<input type="checkbox"/> (Std) Black <input type="checkbox"/> Other (specify) Naugahyde

3. SEAT DIMENSIONS	
Insert Measurements For Figure 3.1 in the Circles Provided	
	
A. Seat Width B. Back Width C. Distance Between Thoracic Laterals D. Distance Between Pelvic Laterals	E. Usable Seat Depth F. Total Seat Depth G. Back Height H. Seat to Top of Lateral Thoracic Pad
Figure 3.1 - Seat Dimensions	

2. CLIENT MEASUREMENTS	
Insert Measurements For Figure 2.1 in the Circles Provided	
	
A. Shoulder Width B. Chest Width C. Hip Width D. Width at Knee E. Seat to TOP of head F. Seat to TOP of Shoulder	G. Seat to AXILLA H. Seat to PSIS K. Chest Depth L. Back to Anterior of ITS M. Seat Depth N. Seat to Foot Plate
Figure 2.1 - Client Measurements	

NOTES:

SEATING SYSTEMS PACKAGES (Seat & Back)				
<input type="checkbox"/> 	PKG40XX	E2609/E2617	Li'l Kiddos Seating System Package	\$1,933
	A	SBP11XX	Solid Back Insert	\$379
	B	SSP11XX	Solid Seat Insert	\$367
	C	HDW1055	Std Seat To Back brkt	\$339
	D	HDW7819S	Fix Univrsl Clamp (Pr)	\$264
	E	HDW7820	Adj Univrsl Clamp (Pr)	\$339
	F	HDW7110T	10" Adjustment Rails (2)	\$52
	G	HDW7112T	12" Adjustment Rails (2)	\$52
	H	APB5115	Pelvic Belt 1", Padded	\$115
	I	HDW6305	Seat Tab (2)	2x \$13
Note: When WC20 is added appropriate transit approved hardware must be selected.				
<input type="checkbox"/> 	PKG41XX	E2609/E2617	Li'l Kiddos Contoured Seating Package	\$2,708
	A	SBP11XX	Solid Back Insert	\$379
	B	SSP11XX	Solid Seat Insert	\$367
	C	HDW1055	Std Seat To Back brkt	\$339
	D	HDW7819S	Fix Univrsl Clamp(Pr)	\$264
	E	HDW7820	Adj Univrsl Clamp (Pr)	\$339
	F	HDW7110T	10" Adjustment Rails (2)	\$52
	G	HDW7112T	12" Adjustment Rails (2)	\$52
	H	MOD4600	Contour Seat	\$413
	I	MOD4153	Notches for Back Post	\$0
J	MOD5200	I Style Back	\$144	
K	MOD5530	Curved Foam Back	\$218	
L	APB5115	Pelvic Belt 1", Padded	\$115	
M	HDW6305	Seat Tab (2)	2x \$13	
Note: When WC20 is added appropriate transit approved hardware must be selected.				
<input type="checkbox"/> 	PKG42XX	E2609/E2617	Li'l Kiddos Independent St & Back Pkg	\$2,171
	A	SBP11XX	Solid Back Insert	\$379
	B	SSP11XX	Solid Seat Insert	\$367
	C	HDW7819S	Fix Universal Clamp(4)	2x \$264
	D	HDW7820	Adj Universal Clamp (4)	2x \$339
	E	HDW7110T	10" Adjustment Rails (2)	\$52
	F	HDW7112T	12" Adjustment Rails (2)	\$52
G	APB5115	Pelvic Belt 1", Padded	\$115	
Note: When WC20 is added appropriate transit approved hardware must be selected.				
<input type="checkbox"/> 	PKG43XX	E2609/E2617	Li'l Kiddos Contoured Indp St & Bck Pkg	\$2,946
	A	SBP11XX	Solid Back Insert	\$379
	B	SSP11XX	Solid Seat Insert	\$367
	C	HDW7819S	Fix Universal Clamp(4)	2x \$264
	D	HDW7820	Adj Universal Clamp (4)	2x \$339
	E	HDW7110T	10" Adjustment Rails (2)	\$52
	F	HDW7112T	12" Adjustment Rails (2)	\$52
	G	MOD4153	Notches for Back Post	\$0
	H	MOD5200	I Style Back	\$144
	I	MOD5530	Curved Foam Back	\$218
	J	APB5115	Pelvic Belt 1", Padded	\$115
K	MOD4600	Contour Seat	\$413	
Note: When WC20 is added appropriate transit approved hardware must be selected.				
SEAT PACKAGES				
<input type="checkbox"/> 	SSK70XX	E2609	Li'l Kiddos Solid Seat Package	\$947
	A	SSP11XX	Solid Seat Insert	\$367
	B	HDW7819S	Fix Universal Clamp(4)	2x \$264
C	HDW7110T	10" Adjustment Rails (2)	\$52	
Note: When WC20 is added appropriate transit approved hardware must be selected.				
<input type="checkbox"/> 	SSK71XX	E2609	Li'l Kiddos Contoured Seat Package	\$1,096
	A	SSP11XX	Solid Seat Insert	\$367
	B	HDW7819S	Fix Universal Clamp(4)	2x \$264
	C	HDW7110T	10" Adjustment Rails (2)	\$52
	D	MOD4600	Contour Seat	\$413
E	MOD4153	Notches for Back Post	\$0	
Note: When WC20 is added appropriate transit approved hardware must be selected.				
<input type="checkbox"/> 	SSK77XX	E2609	Li'l Kiddos Seat & Hardware Package	\$800
	A	SSP11XX	Solid Seat Insert	\$367
	B	HDW7819S	Fix Univrsl Clamp (Pr)	\$264
	C	HDW6305	Seat Tab (2)	2x \$13
D	HDW7110T	10" Adjustment Rails (2)	\$52	
Note: When WC20 is added appropriate transit approved hardware must be selected.				
Note: Configured to be ordered with SBK77XX or SBK78XX				
<input type="checkbox"/> 	SSK78XX	E2609	Li'l Kiddos Contoured Seat Package	\$1,122
	A	SSP11XX	Solid Seat Insert	\$367
	B	HDW7819S	Fix Univrsl Clamp (Pr)	\$264
	C	HDW7110T	10" Adjustment Rails (2)	\$52
	D	HDW6305	Seat Tab (2)	2x \$13
	E	MOD4600	Contour Seat	\$413
F	MOD4153	Notches for Back Post	\$0	
Note: When WC20 is added appropriate transit approved hardware must be selected.				
Note: Configured to be ordered with SBK77XX or SBK78XX				
BACK PACKAGES				
<input type="checkbox"/> 	SBK70XX	E2617	Universal Mount Back Package	\$1,109
	A	SBP11XX	Solid Back Insert	\$379
	B	HDW7820	Adj Universal Clamp (4)	2x \$339
C	HDW7112T	12" Adjustment Rails (2)	\$52	
Note: When WC20 is added appropriate transit approved hardware must be selected.				
<input type="checkbox"/> 	SBK71XX	E2617	Drop Hook & Fixed Holds(Between)	\$1,471
	A	SBP11XX	Solid Back Insert	\$379
	B	HDW7820	Adj Universal Clamp (4)	2x \$339
	C	HDW7112T	12" Adjustment Rails (2)	\$52
	D	MOD5200	I Style Back	\$144
E	MOD5530	Curved Foam Back	\$218	
Note: When WC20 is added appropriate transit approved hardware must be selected.				
<input type="checkbox"/> 	SBK77XX	E2617	Adj "J" Hook & Fixed/Rotate Hold	\$1,109
	A	SBP11XX	Solid Back Insert	\$379
	B	HDW7820	Adj Univrsl Clamp (Pr)	\$339
	C	HDW7112T	12" Adjustment Rails (2)	\$52
D	HDW1055	Std Seat To Back brkt	\$339	
Note: Configured to be ordered with SSK77XX or SSK78XX				
Note: When WC20 is added appropriate transit approved hardware must be selected.				
<input type="checkbox"/> 	SBK78XX	E2617	Mount Hook & Fixed Hold (Forward)	\$1,471
	A	SBP11XX	Solid Back Insert	\$379
	B	HDW7820	Adj Univrsl Clamp (Pr)	\$339
	C	HDW7112T	12" Adjustment Rails (2)	\$52
	D	HDW1055	Std Seat To Back brkt	\$339
	E	MOD5200	I Style Back	\$144
F	MOD5530	Curved Foam Back	\$218	
Note: Configured to be ordered with SSK77XX or SSK78XX				
Note: When WC20 is added appropriate transit approved hardware must be selected.				
SEATING SYSTEM TRANSIT OPTION				
<input type="checkbox"/>	MODWC20		TRANSIT OPTION HARDWARE	\$259

SEAT MODIFICATIONS

SEAT MODIFICATIONS – STRUCTURAL

<input type="checkbox"/>	MOD4075	Two Piece Cushion & Base Seat	\$189
<input type="checkbox"/>	MOD4150	Notches for Back Posts 2" X 2"	N/C
<input type="checkbox"/>	MOD4153	Notches for Back Posts 3" deep	N/C
<input type="checkbox"/>	MOD4155	Notches Front Hangers (Wood Only)	N/C
<input type="checkbox"/>	MOD4159	Notches Back Post, Seat, Cus	\$46
<input type="checkbox"/>	MOD4170	Sub 1/2" Plastitech Seat	\$46
<input type="checkbox"/>	MOD4175	Mid Seat Cutout for X-Brace	\$126
<input type="checkbox"/>	MOD4200L	Offset Seat, Long on Left side	\$126
<input type="checkbox"/>	MOD4200R	Offset Seat, Long on Right side	\$126
<input type="checkbox"/>	MOD4300	T-style Seat	\$137
<input type="checkbox"/>	MOD4400	Anti-Thrust Seat	\$207
<input type="checkbox"/>	MOD4450	Quick-Fit Anti-Thrust Seat	\$488
<input type="checkbox"/>	MOD4460	Wedge Seat	\$213
<input type="checkbox"/>	MOD4500	Cubed Seat (2"x2"x2" HR foam)	\$488
<input type="checkbox"/>	MOD4525	Personalized Cubes, Seat	\$568
<input type="checkbox"/>	MOD4600	E2294 Contour Seat	\$413
<input type="checkbox"/>	MOD4605	Leg Trough Cut Into Seat	\$161
<input type="checkbox"/>	MOD4611	Contoured Mod w/Pel Well Mild	\$413
<input type="checkbox"/>	MOD4612	Contoured Mod w/Pel Well Med	\$413
<input type="checkbox"/>	MOD4613	Contoured Mod w/Pel Well Aggr	\$413
<input type="checkbox"/>	MOD4614	Contoured Mod w/Pel Well Cust	\$413
<input type="checkbox"/>	MOD4630	Quick-Fit Contoured Seat	\$631
<input type="checkbox"/>	MOD4640L	Lateral Reinforcement, Seat, Left	\$126
<input type="checkbox"/>	MOD4640R	Lateral Reinforcement, Seat, Right	\$126
<input type="checkbox"/>	MOD4650	Substitute ABS for Multi-Ply in Seat	\$172
<input type="checkbox"/>	MOD4655L	Belt Strap Notches, Seat, Left	\$25
<input type="checkbox"/>	MOD4655R	Belt Strap Notches, Seat, Right	\$25
<input type="checkbox"/>	MOD4700	Built-in Medial Thigh Support	\$246
<input type="checkbox"/>	MOD4725	Contour Lateral Adductor	\$246
<input type="checkbox"/>	MOD4800	Seat Rail Foam Overlay	\$152
<input type="checkbox"/>	MOD4825	Seat - Front Edge Bevel Undercut	\$152
<input type="checkbox"/>	MOD4850L	Pelvic Obliquity Addition (Up to 1") Left	\$172
<input type="checkbox"/>	MOD4850R	Pelvic Obliquity Addition (Up to 1") Right	\$172
<input type="checkbox"/>	MOD4900	Adjustable Split Seat	\$568
<input type="checkbox"/>	MOD5000	I-Style Seat	\$137
<input type="checkbox"/>	MOD5700	Substitute 3/4" Multi-Ply for 1/2"	\$82
<input type="checkbox"/>	MOD6827	No Seat Cushion	NC
<input type="checkbox"/>	MOD6828	Add Folding Hinge Bracket	\$152
<input type="checkbox"/>	MOD6860L	SEAT MOUNT L brkt, TRANS, L	\$35
<input type="checkbox"/>	MOD6860R	SEAT MOUNT L brkt, TRANS, R	\$35
<input type="checkbox"/>	MOD6861L	SEAT MOUNT L brkt, TRANS, SH/L	\$35
<input type="checkbox"/>	MOD6861R	SEAT MOUNT L brkt, TRANS, SH/R	\$35
<input type="checkbox"/>	MOD8000	Omit T-Nuts	N/C

SEAT MODIFICATIONS - UPHOLSTERY

<input type="checkbox"/>	MOD4125	Attaching Strips, Bottom, Loop	\$46
<input type="checkbox"/>	MOD4125H	Attaching Strips, Bottom, Hook	\$46
<input type="checkbox"/>	MOD4126	Attaching Strips, Top, Hook	\$46
<input type="checkbox"/>	MOD4130	Non-Skid Added to Bottom	\$57
<input type="checkbox"/>	MOD4131	Non-Skid Added to Top	\$57
<input type="checkbox"/>	MOD5120	Add Velcro Closure, Made To Order	\$172
<input type="checkbox"/>	MOD5130	Add Synthetic Sheepskin To Cover, Std	\$207
<input type="checkbox"/>	MOD5150	Incontinent Film Covering	\$115
<input type="checkbox"/>	MOD5160	Rem Cover Zipper Bottom Seat	\$126
<input type="checkbox"/>	MOD5191	Rem Zippered Seat Face Cover	\$161
<input type="checkbox"/>	MOD5192	Add Zip Seat Top Face Only	\$152
<input type="checkbox"/>	MOD5600	Sewn Positioning Strap Slot (Pair)	\$126

SEAT MODIFICATIONS - FOAM

<input type="checkbox"/>	MOD0050	Omit Foam in Seat	N/C
HR FOAM			
<input type="checkbox"/>	MOD1005	1/2" HR Foam in Seat	N/C
<input type="checkbox"/>	MOD1100	1" HR Foam in Seat	N/C
<input type="checkbox"/>	MOD1150	1-1/2" HR Foam in Seat	N/C
<input type="checkbox"/>	MOD1200	2" HR Foam in Seat	\$41
<input type="checkbox"/>	MOD1300	3" HR Foam in Seat	\$57
PUDGEE FOAM			
<input type="checkbox"/>	MOD1405	Additional 1/2" Pudgee Foam in Seat	\$207
<input type="checkbox"/>	MOD1400	1" Pudgee Foam in Seat	\$309
<input type="checkbox"/>	MOD1495	1" Pudgee Foam Partial Insert	\$230
T FOAM			
<input type="checkbox"/>	MOD1605	1/2" T-Foam in Seat	\$69
<input type="checkbox"/>	MOD1600	1" T-Foam in Seat	\$120
<input type="checkbox"/>	MOD1615	1-1/2" T-Foam in Seat	\$137
<input type="checkbox"/>	MOD1700	2" T-Foam in Seat	\$172
SUNMATE FOAM			
<input type="checkbox"/>	MOD1805	1/2" SunMate Foam in Seat	\$52
<input type="checkbox"/>	MOD1800	1" SunMate Foam in Seat	\$98
<input type="checkbox"/>	MOD1815	1-1/2" SunMate Foam in Seat	\$126
<input type="checkbox"/>	MOD1900	2" SunMate Foam in Seat	\$144
<input type="checkbox"/>	MOD1816	1/2" SSM over 1" MSM Foam In seat	\$126
<input type="checkbox"/>	MOD1817	1" SSM over 1/2" MSM Foam in Seat	\$126
JAY FLOW FLUID			
<input type="checkbox"/>	MOD1505	Pressure Relief Pads/Ischial	\$298
GEL			
<input type="checkbox"/>	MOD1500	5/8" Gel over HR Foam in Seat	\$264
<input type="checkbox"/>	MOD1525	1/2" Cubed Gel over HR Foam in Seat	\$309
<input type="checkbox"/>	MOD1595	5/8" Gel Partial Insert	\$209
STIMULITE HONEYCOMB			
<input type="checkbox"/>	MOD1185	1/2" Stimulite Honeycomb, Seat	\$246
<input type="checkbox"/>	MOD1180	1" Stimulite Honeycomb, Seat	\$309
<input type="checkbox"/>	MOD1195	Partial Stimulite Honeycomb, Insert	\$246

ADDITIONAL SEAT COVERS

<input type="checkbox"/>	COV4100	Additional Zippered Cover, Flat, Std	\$152
<input type="checkbox"/>	COV4109	Additional Zippered Cover, Made To Order	\$207
<input type="checkbox"/>	COV4110	Additional Slip Over Cover, Flat, Std	\$152
<input type="checkbox"/>	COV4119	Additional Slip Over Cover, Made To Order	\$207
<input type="checkbox"/>	COV99XX	Additional Zippered Cover Foam Form	\$568

BACK MODIFICATIONS

BACK MODIFICATIONS – STRUCTURAL

<input type="checkbox"/>	MOD1045	Adj Offset Hinge, Wide in Pkg	\$98
<input type="checkbox"/>	MOD1055	Adj Offset Hinge, Ped in Pkg	\$98
<input type="checkbox"/>	MOD5075	2 Piece Cush & Base Back (1/2" Wood)	\$195
<input type="checkbox"/>	MOD5125	Add Hook/Loop Closure Back	\$167
<input type="checkbox"/>	MOD5135	Add Faux Sheepskin To Back	\$207
<input type="checkbox"/>	MOD5170	Sub 1/2" Plastitech Back	\$46
<input type="checkbox"/>	MOD5180	Foam Form Back	\$568
<input type="checkbox"/>	MOD5194	Cen & Top Edge Zip Hidn Back	NC
<input type="checkbox"/>	MOD5200	I-Style Back	\$144
<input type="checkbox"/>	MOD5300	T-Style Back	\$144
<input type="checkbox"/>	MOD5425	Half-Round Lumbar Roll - Internal	\$201
<input type="checkbox"/>	MOD5426	Half-Round Lumbar Roll w/ Strap	\$201
<input type="checkbox"/>	MOD5450	Adj Angle Bi-Angular Back w/ 2 brkts	\$419
<input type="checkbox"/>	MOD5451	Adj Angle Bi-Angular Back w/ 1 brkt	\$276
<input type="checkbox"/>	MOD5452	Adj Bi-Ang Back 2 Piece cover	\$568
<input type="checkbox"/>	MOD5455	Sub 1/2" Plastitech Base & Cush, Back	\$74
<input type="checkbox"/>	MOD5460	Adjustable Lumbar Back 5.5" Adj Range	\$453
<input type="checkbox"/>	MOD5461	Adjustable Lumbar Back 3" Adj Range	\$453
<input type="checkbox"/>	MOD5462	Adjustable Lumbar Back 7.5" Adj Range	\$453
<input type="checkbox"/>	MOD5475	Revers Bi-Angular Back - Fixed	\$246
<input type="checkbox"/>	MOD5500	Curved Back	\$201
<input type="checkbox"/>	MOD5501	Curved Back, w/ 2 hinged L brkts	\$246
<input type="checkbox"/>	MOD5502	Curved Back, w/ 4 Hinged L brkts	\$270
<input type="checkbox"/>	MOD5510	Curved Lateral Thor Pad Mod	\$21
<input type="checkbox"/>	MOD5525	Rear Upright Foam Overlay	\$150
<input type="checkbox"/>	MOD5530	Curved Foam Addition to Flat Back	\$218
<input type="checkbox"/>	MOD5550	Cubed Back (2"x2"x2" HR foam)	\$465
<input type="checkbox"/>	MOD5575	Personalized Cubes, Back	\$568
<input type="checkbox"/>	MOD5600	Sewn Anterior Position Strap Slots (PR)	\$126
<input type="checkbox"/>	MOD5605	T-Nut For Strap Pos Hdw	NC
<input type="checkbox"/>	MOD5610	Shoulder Strap Mnt Through Back	\$167
<input type="checkbox"/>	MOD5620	Attaching Tie W/Velcro Back	\$28
<input type="checkbox"/>	MOD5621	Attaching Tie W/ Snaps Back	\$25
<input type="checkbox"/>	MOD5622	Attaching Ties Loops Back	\$25
<input type="checkbox"/>	MOD5650	Substitute ABS (1/2") for Multi-Ply in Bck	\$207
<input type="checkbox"/>	MOD5700	Replace 3/4" Multi-Ply with 1/2"	\$80
<input type="checkbox"/>	MOD5705	Replace 1/2" Multi-Ply with 3/4"	\$80
<input type="checkbox"/>	MOD5800	Contour Back	\$350
<input type="checkbox"/>	MOD5801	Quick-Fit Contour/Bi-Angular Back	\$694
<input type="checkbox"/>	MOD5802	Quick-Fit Contour Back Only	\$568
<input type="checkbox"/>	MOD5804	Contour Fixed Lumbar Wedge	\$224
<input type="checkbox"/>	MOD5810	Contour Back Mod Euro Style	\$161
<input type="checkbox"/>	MOD5835	Harn's Strap Notches, Top Edge of Back	\$115
<input type="checkbox"/>	MOD5849	ABS back with side walls Back	\$316
<input type="checkbox"/>	MOD5850	Scapular Contour Cutout, Back	\$213
<input type="checkbox"/>	MOD5855	Top Edge Angle Cut, Back	\$126
<input type="checkbox"/>	MOD5860	Large Radius Corners For Back	NC
<input type="checkbox"/>	MOD8100	Omit T-Nuts, Back	N/C

BACK MODIFICATIONS – UPHOLSTERY

<input type="checkbox"/>	MOD5115	Add Faux Sheepskin to Back Cus	\$252
<input type="checkbox"/>	MOD5125	Add Velcro Closure, Made To Order	\$167
<input type="checkbox"/>	MOD5127	Privacy Flap 12" Long	\$126
<input type="checkbox"/>	MOD5165	Removable top Cover Zipper at Center	\$172
<input type="checkbox"/>	MOD5610	Shoulder Strap Mounting Grommets	\$167
<input type="checkbox"/>	MOD5620	Attaching Ties for Back, Velcro	\$28
<input type="checkbox"/>	MOD5621	Attaching Ties for Back, Snaps	\$25
<input type="checkbox"/>	MOD5900	Monogram Back, Block	N/C
<input type="checkbox"/>	MOD5901	Monogram Back, Script	N/C
<input type="checkbox"/>	MOD5902	Monogram Stock Design	N/C
<input type="checkbox"/>	MOD5909	Monogram Back, Personalized	N/C

BACK MODIFICATIONS – FOAM

<input type="checkbox"/>	MOD0055	Omit Foam in Back	N/C
HR FOAM			
<input type="checkbox"/>	MOD2005	1/2" HR Foam in Back	NC
<input type="checkbox"/>	MOD2100	1" HR Foam in Back	NC
<input type="checkbox"/>	MOD2150	1-1/2" HR Foam in Back	NC
<input type="checkbox"/>	MOD2200	2" HR Foam in Back	\$41
<input type="checkbox"/>	MOD2300	3" HR Foam in Back	\$41
PUDGEE FOAM			
<input type="checkbox"/>	MOD2400	1" Pudgee Foam in Back	\$293
<input type="checkbox"/>	MOD2405	Additional 1/2" Pudgee Foam in Back	\$207
<input type="checkbox"/>	MOD2495	1" Partial Pudgee Foam in Back	\$230
T FOAM			
<input type="checkbox"/>	MOD2605	1/2" T-Foam in Back	\$69
<input type="checkbox"/>	MOD2600	1" T-Foam in Back	\$120
<input type="checkbox"/>	MOD2615	1-1/2" T-Foam in Back	\$137
<input type="checkbox"/>	MOD2700	2" T-Foam in Back	\$167
SUNMATE FOAM			
<input type="checkbox"/>	MOD2805	1/2" SunMate in Back	\$52
<input type="checkbox"/>	MOD2800	1" SunMate Foam in Back	\$109
<input type="checkbox"/>	MOD2815	1-1/2" SunMate in Back	\$120
<input type="checkbox"/>	MOD2900	2" SunMate Foam in Back	\$150
<input type="checkbox"/>	MOD2801	1/2" SSM OVER 1/2" MSM, BACK	\$109
<input type="checkbox"/>	MOD2804	1" SSM OVER 1/2" HR FOAM, BACK	\$109
JAY FLOW FLUID			
<input type="checkbox"/>	MOD2505	Spinal Pressure Relief Pad	\$424
GEL			
<input type="checkbox"/>	MOD2160	Elasto-Gel Addition Back	\$413
<input type="checkbox"/>	MOD2500	5/8" Gel & HR Foam in Back	\$276
<input type="checkbox"/>	MOD2595	5/8" Gel Partial & HR Foam in Back	\$230
STIMILITE HONEYCOMB			
<input type="checkbox"/>	MOD2185	1/2" Stimulite in Back	\$230
<input type="checkbox"/>	MOD2180	1" Stimulite in Back	\$331
<input type="checkbox"/>	MOD2195	Partial Stimulite in Back	\$218
FOAM-IN-PLACE			
<input type="checkbox"/>	MOD5180	Foam-in-Place BACK Soft	\$568

BACK MODIFICATIONS - INTERNAL

<input type="checkbox"/>	FTK10XX	E0956	Thrcic Support Kit Foam Form 5"Hx5"D	\$379
<input type="checkbox"/>	FTK11XX	E0956	Thrcic Support Kit Foam Form 7"Hx5"D	\$453
<input type="checkbox"/>	FTK12XX	E0956	Thrcic Support Kit Foam Form 9"Hx6"D	\$344
<input type="checkbox"/>	FTK13XX	E0956	Thrcic Support Kit Foam Form 11"Hx7"D	\$379
<input type="checkbox"/>	FTK19XX		Thrcic Support Kit, Foam Form, Made To Order	\$482

ADDITIONAL BACK COVERS

<input type="checkbox"/>	COV5100	Additional Zippered Cover, Flat, Std	\$155
<input type="checkbox"/>	COV5109	Additional Zippered Cover, Made To Order	\$218
<input type="checkbox"/>	COV5110	Additional Slip Over Cover, Flat, Std	\$161
<input type="checkbox"/>	COV5119	Additional Slip Over Cover, Made To Order	\$224
<input type="checkbox"/>	COV99XX	Add Zipper Cover Foam-in-place	\$568

LATERAL THORACIC SUPPORTS								
LATERAL THORACIC SUPPORT PACKAGES - Each		LATERAL THORACIC SUPPORT MODIFICATIONS						
<input type="checkbox"/>	LTK72XX	E0956	Std profile bracket - Flat Pad - Each	\$155	<input type="checkbox"/>	MOD2550	1/4" Gel in Thoracic Support	\$57
	<input type="checkbox"/> Left		<input type="checkbox"/> Right	<input type="checkbox"/> Pair	<input type="checkbox"/>	MOD2650	1/2" T-Foam in Thoracic Support	\$46
<input type="checkbox"/>	LTK73XX	E0956	Std profile bracket - Curved Pad - Each	\$218	<input type="checkbox"/>	MOD2750	1/2" Pudgee in Thoracic Support	\$57
	<input type="checkbox"/> Left		<input type="checkbox"/> Right	<input type="checkbox"/> Pair	<input type="checkbox"/>	MOD2850	1/2" SunMate in Thoracic Support	\$20
<input type="checkbox"/>	LTK74XX	E0956	Fixed Modular brkt - Flat Pad - Each	\$309	<input type="checkbox"/>	MOD2861	1" SunMate in Thoracic Support	\$20
	<input type="checkbox"/> Left		<input type="checkbox"/> Right	<input type="checkbox"/> Pair	<input type="checkbox"/>	MOD2950	Taper Front Edge of Thoracic Support	\$20
<input type="checkbox"/>	LTK75XX	E0956 E1028	E-Z Access SA brkt - Flat Pad - Each	\$413	<input type="checkbox"/>	MOD3000	Replace Multi-Ply with ABS	\$13
	<input type="checkbox"/> Left		<input type="checkbox"/> Right	<input type="checkbox"/> Pair	<input type="checkbox"/>	MOD3001	Flat Metal Base up to 5x6"	\$28
<input type="checkbox"/>	LTK76XX	E0956 E1028	Modular brkt Quick Adj - Flat Pad - Each	\$367	<input type="checkbox"/>	MOD3011	Curved Metal Base up to 5X6"	\$28
	<input type="checkbox"/> Left		<input type="checkbox"/> Right	<input type="checkbox"/> Pair	<input type="checkbox"/>	MOD3100	Add Waterfall Foam to Thoracic Support	\$57
<input type="checkbox"/>	LTK77XX	E0956 E1028	E-Z Access SA brkt Q Adj - Flat Pad - EA	\$470	<input type="checkbox"/>	MOD3150	Contour-Fit Pad	\$74
	<input type="checkbox"/> Left		<input type="checkbox"/> Right	<input type="checkbox"/> Pair	<input type="checkbox"/>	MOD3175	Hinged Pad	\$189
<input type="checkbox"/>	LTK78XX	E0956 E1028	E-Z Access SA brkt - Curved Pad - Each	\$413	<input type="checkbox"/>	MOD5510	Curved Lateral Pad	\$21
	<input type="checkbox"/> Left		<input type="checkbox"/> Right	<input type="checkbox"/> Pair	<input type="checkbox"/>	MOD6803	Curved Back Bracket	NC
				LATERAL THORACIC ADDITIONAL HARDWARE AND COVERS				
<input type="checkbox"/>	HDW2025		1/4" Bracket Spacer	\$21	<input type="checkbox"/>	HDW2050	1/2" Bracket Spacer	\$21
<input type="checkbox"/>	HDW2050		1/2" Bracket Spacer	\$21	<input type="checkbox"/>	HDW2521	1" Height Adapter Plate	\$37
<input type="checkbox"/>	HDW2521		1" Height Adapter Plate	\$37	<input type="checkbox"/>	HDW2522	2" Height Adapter Plate	\$37
<input type="checkbox"/>	HDW2522		2" Height Adapter Plate	\$37	<input type="checkbox"/>	HDW2523	3" Height Adapter Plate	\$37
<input type="checkbox"/>	HDW2523		3" Height Adapter Plate	\$37	<input type="checkbox"/>	COV2656	Lateral Bracket Fabric Cover (Ped)	\$38
<input type="checkbox"/>	COV2656		Lateral Bracket Fabric Cover (Ped)	\$38	<input type="checkbox"/>	COV2666	Lateral Bracket Fabric Cover (Short)	\$38
<input type="checkbox"/>	COV2666		Lateral Bracket Fabric Cover (Short)	\$38	<input type="checkbox"/>	COV2657	Lateral Bracket Fabric Cover (1" Offset)	\$38
<input type="checkbox"/>	COV2657		Lateral Bracket Fabric Cover (1" Offset)	\$38	<input type="checkbox"/>	COV2667	Lateral Bracket Fabric Cover (2" Offset)	\$38
<input type="checkbox"/>	COV2667		Lateral Bracket Fabric Cover (2" Offset)	\$38				

LATERAL PELVIC/THIGH SUPPORTS								
LATERAL PELVIC/THIGH SUPPORT PACKAGES - Each - Pad up to		LATERAL PELVIC/THIGH SUPPORT MODIFICATIONS						
<i>Note: Pads can be built up to 5" High and 18" Long</i>								
<input type="checkbox"/>	LPK72XX	E0956	Standard profile brkt w/ Pad - Each	\$167	<input type="checkbox"/>	MOD3025	D Forward Pad Shape	NC
	<input type="checkbox"/> Left		<input type="checkbox"/> Right	<input type="checkbox"/> Pair	<input type="checkbox"/>	MOD3050	Replace Multi-Ply with ABS	\$13
<input type="checkbox"/>	LPK74XX	E0956	Modular brkt w/ Pad - Each	\$264	<input type="checkbox"/>	MOD3055	Contoured Pelvic Supports (Anti-Thrust)	\$63
	<input type="checkbox"/> Left		<input type="checkbox"/> Right	<input type="checkbox"/> Pair	<input type="checkbox"/>	MOD3500	Waterfall Foam Pelvic Support	\$52
<input type="checkbox"/>	LPK75XX	E0956	20° Adj brkt w/ Pad - Each	\$316	<input type="checkbox"/>	MOD3550	1/4" Gel in Pelvic Support	\$57
	<input type="checkbox"/> Left		<input type="checkbox"/> Right	<input type="checkbox"/> Pair	<input type="checkbox"/>	MOD3551	1/4" Gel in Long Pelvic Support	\$69
<input type="checkbox"/>	LPK76XX	E0956	High Profile brkt w/ Pad - Each	\$180	<input type="checkbox"/>	MOD3650	1/2" T-Foam in Pelvic Support	\$46
	<input type="checkbox"/> Left		<input type="checkbox"/> Right	<input type="checkbox"/> Pair	<input type="checkbox"/>	MOD3750	1/2" Pudgee in Pelvic Support	\$63
<input type="checkbox"/>	LPK77XX	E0956 E1028	Removable brkt w/ Pad - Each	\$361	<input type="checkbox"/>	MOD3850	1/2" SunMate in Pelvic Support	\$46
	<input type="checkbox"/> Left		<input type="checkbox"/> Right	<input type="checkbox"/> Pair	<input type="checkbox"/>	MOD3861	1" SunMate in Pelvic Support	\$20
<input type="checkbox"/>	LPK78XX	E0956 E1028	Removable 20° Adj brkt w/ Pad - Each	\$413	<input type="checkbox"/>	MOD3858	Distal Edge Contour	\$115
	<input type="checkbox"/> Left		<input type="checkbox"/> Right	<input type="checkbox"/> Pair	<input type="checkbox"/>	MOD3870	Mount LPK on Flat Back Surface	NC
				ADDITIONAL DISTAL HARDWARE				
<input type="checkbox"/>	HDW2527		2" Distal Ext Adapter Bar	\$41	<input type="checkbox"/>	MOD3899	Cus Foam Mod Pelvic Thigh Sup	\$69
<input type="checkbox"/>	HDW2528		3" Distal Ext Adapter Bar	\$41	<input type="checkbox"/>	MOD4750L	Long, Curved Pad, Pelvic/Thigh left	\$21

MEDIAL THIGH SUPPORTS								
MEDIAL THIGH SUPPORT PACKAGES		MEDIAL THIGH SUPPORT MODIFICATIONS						
<input type="checkbox"/>	MTK31XX	E0957 E1028	Pull-Away brkt, 1.25" to 2.75" adj	\$568	<input type="checkbox"/>	MOD3855	1/2" SunMate Foam in Medial Support	STD
<input type="checkbox"/>	MTK34XX	E0957 E1028	Pull-Away brkt, 2.75" to 4.25" adj	\$568	<input type="checkbox"/>	MOD3856	1" SunMate Foam in Medial Support	\$55
				<input type="checkbox"/>	MOD3555	1/4" Gel in Medial Support	\$150	
				<input type="checkbox"/>	MOD3655	1/2" T-Foam in Medial Support	\$46	
				<input type="checkbox"/>	MOD3755	1/2" Pudgee Foam in Medial Support	\$150	

PELVIC POSITIONING BELTS

ANTERIOR PELVIC POSITIONING BELTS – SINGLE PULL			
<input type="checkbox"/>	APB6212	E0978	1.5" Side Release buckle, 7.5" Pads \$64
<input type="checkbox"/>	APB6213	E0978	1.5" Side Release buckle, 9.5" Pads \$64
<input type="checkbox"/>	APB6210	E0978	1.5" Side Release buckle, Non-Padded \$41
<input type="checkbox"/>	APB7212	E0978	1.5" Push-Button buckle, Small Pads \$99
<input type="checkbox"/>	APB7213	E0978	1.5" Push-Button buckle, Med Pads \$99
<input type="checkbox"/>	APB7210	E0978	1.5" Push-Button buckle, Non-Padded \$47
<input type="checkbox"/>	APB5115	E0978	Li'l Kiddos 1" Push Button, 4.5" Pads \$115
<input type="checkbox"/>	APB5116	E0978	Li'l Kiddos 1" Push Button, 5.5" Pads \$104
<input type="checkbox"/>	APB5117	E0978	Li'l Kiddos 1" Push Button, 7.5" Pads \$104
<input type="checkbox"/>	APB5110	E0978	Li'l Kiddos 1" Push Button, No-Pad \$47
<input type="checkbox"/>	APB6111	E0978	Li'l Kiddos 1" Release buckle 5.5" Pads \$64
<input type="checkbox"/>	APB6112	E0978	Li'l Kiddos 1" Release buckle 7.5" Pads \$64
<input type="checkbox"/>	APB6110	E0978	Li'l Kiddos 1" Release buckle, No-Pad \$41

ANTERIOR PELVIC POSITIONING BELTS – DUAL PULL			
<input type="checkbox"/>	APB6222	E0978	1.5" Side Release buckle, Small Pads \$64
<input type="checkbox"/>	APB6223	E0978	1.5" Side Release buckle, Med Pads \$64
<input type="checkbox"/>	APB7221	E0978	1.5" Push-Button buckle, 5.5" Pads \$99
<input type="checkbox"/>	APB7222	E0978	1.5" Push-Button buckle, 7.5" Pads \$99
<input type="checkbox"/>	APB7223	E0978	1.5" Push-Button buckle, 9.5" Pads \$99
<input type="checkbox"/>	APB5125	E0978	Li'l Kiddos 1" Push Button, 4.5" Pads \$104
<input type="checkbox"/>	APB5126	E0978	Li'l Kiddos 1" Push Button, 5.5" Pads \$104
<input type="checkbox"/>	APB5127	E0978	Li'l Kiddos 1" Push Button, 7.5" Pads \$104
<input type="checkbox"/>	APB6121	E0978	Li'l Kiddos 1" Release buckle, 5.5" Pads \$64
<input type="checkbox"/>	APB6122	E0978	Li'l Kiddos 1" Release buckle, 7.5" Pads \$64

ANTERIOR PELVIC POSITIONING BELTS – MEDIAL 4-POINT			
<input type="checkbox"/>	APB7242	E0978	1.5" Push-Button buckle, 4.5" Pads \$127
<input type="checkbox"/>	APB7243	E0978	1.5" Push-Button buckle, 5.5" Pads \$127
<input type="checkbox"/>	APB7244	E0978	1.5" Push-Button buckle, 6.5" Pads \$127
<input type="checkbox"/>	APB5145	E0978	Li'l Kiddos 1" Push-button 3.5" Pads \$127
<input type="checkbox"/>	APB5146	E0978	Li'l Kiddos 1" Push-button 4.5" Pads \$127

ANTERIOR PELVIC POSITIONING BELTS – 4-POINT V-Contour			
<input type="checkbox"/>	APB3716	E0978	1" Push-Button buckle \$194
<input type="checkbox"/>	APB3727	E0978	1.5" Push-Button buckle \$194
<input type="checkbox"/>	APB3616	E0978	1" Release buckle \$194
<input type="checkbox"/>	APB3627	E0978	1.5" Release buckle \$194

ANTERIOR TRUNK SUPPORTS

ANTERIOR TRUNK SUPPORTS – CLASSIC STYLE			
<input type="checkbox"/>	ATS8100	E0960	Dynamic, X-Small \$174
<input type="checkbox"/>	ATS8101	E0960	Dynamic, Small \$174
<input type="checkbox"/>	ATS8102	E0960	Dynamic, Medium \$174
<input type="checkbox"/>	ATS8300	E0960	Structured, X-Small \$174
<input type="checkbox"/>	ATS8301	E0960	Structured, Small \$174
<input type="checkbox"/>	ATS8302	E0960	Structured, Medium \$174

ANTERIOR TRUNK SUPPORTS – CONTOUR STYLE			
<input type="checkbox"/>	ATS9100	E0960	Dynamic, X-Small \$174
<input type="checkbox"/>	ATS9101	E0960	Dynamic, Small \$174
<input type="checkbox"/>	ATS9102	E0960	Dynamic, Medium \$174
<input type="checkbox"/>	ATS9107	E0960	Dynamic, Early Intervention \$174
<input type="checkbox"/>	ATS9300	E0960	Structured, X-Small \$174
<input type="checkbox"/>	ATS9301	E0960	Structured, Small \$174
<input type="checkbox"/>	ATS9302	E0960	Structured, Medium \$174

ANTERIOR TRUNK SUPPORTS – CENTER OPENING STYLE			
<input type="checkbox"/>	ATS8807	E0960	Dynamic, Early Int - Side Rel Buckle \$174
<input type="checkbox"/>	ATS8800	E0960	Dynamic, X-Small - Side Rel Buckle \$174
<input type="checkbox"/>	ATS8801	E0960	Dynamic, Small - Side Rel Buckle \$174
<input type="checkbox"/>	ATS8802	E0960	Dynamic, Medium - Side Rel Buckle \$174
<input type="checkbox"/>	ATS8809	E0960	Dynamic, Made To Order - Side Rel Buckle \$293
<input type="checkbox"/>	ATS9407	E0960	Structured, Early Int - Side Rel Buckle \$174
<input type="checkbox"/>	ATS9400	E0960	Structured, X-Small - Side Rel Buckle \$174
<input type="checkbox"/>	ATS9401	E0960	Structured, Small - Side Rel Buckle \$174
<input type="checkbox"/>	ATS9402	E0960	Structured, Medium - Side Rel Buckle \$174
<input type="checkbox"/>	ATS9409	E0960	Structured, Made To Order - Side Rel Buckle \$293
<input type="checkbox"/>	ATS8701	E0960	Dynamic, Small - Zipper \$174
<input type="checkbox"/>	ATS8702	E0960	Dynamic, Medium - Zipper \$174
<input type="checkbox"/>	ATS8709	E0960	Dynamic, Made To Order - Zipper \$293

ANTERIOR TRUNK SUPPORTS – Y STYLE			
<input type="checkbox"/>	ATS9167	E0960	Dynamic, Early Intervention \$156
<input type="checkbox"/>	ATS9161	E0960	Dynamic, Small \$156
<input type="checkbox"/>	ATS9162	E0960	Dynamic, Medium \$156
<input type="checkbox"/>	ATS9169	E0960	Dynamic, Made To Order \$293
<input type="checkbox"/>	ATS9367	E0960	Structured, Early Intervention \$156
<input type="checkbox"/>	ATS9361	E0960	Structured, Small \$156
<input type="checkbox"/>	ATS9362	E0960	Structured, Medium \$156
<input type="checkbox"/>	ATS9369	E0960	Structured, Made To Order \$293

ANTERIOR TRUNK SUPPORTS – TRUNK STRAP			
<input type="checkbox"/>	ATS4050	E0960	X-Small \$162
<input type="checkbox"/>	ATS4000	E0960	Small \$162
<input type="checkbox"/>	ATS4100	E0960	Medium \$162
<input type="checkbox"/>	ATS4900	E0960	Made To Order \$293

ANTERIOR TRUNK SUPPORTS – BACK PACK STYLE			
<input type="checkbox"/>	ATS9601	E0960	Dynamic, 12" \$156
<input type="checkbox"/>	ATS9603	E0960	Dynamic, 18" \$156
<input type="checkbox"/>	ATS9609	E0960	Dynamic, Made To Order \$293
<input type="checkbox"/>	ATS9701	E0960	Structured, 12" \$156
<input type="checkbox"/>	ATS9703	E0960	Structured, 18" \$156
<input type="checkbox"/>	ATS9709	E0960	Structured, Made To Order \$293

ANTERIOR TRUNK SUPPORTS – STRAP GUIDES			
<input type="checkbox"/>	HDW6900		STRAP POSITIONER - EACH \$41

LOWER BODY POSITIONING

KNEE POSITIONING				
<input type="checkbox"/>	KPG10XX	E0953	Knee Pos Blocks, + Pullaway Hardware	\$568
<input type="checkbox"/>	KPG19XX	E0953	Knee Pos Blocks, Made To Order + Hardware	\$560
<input type="checkbox"/>	KAK31XXL	E0953/E1028	Knee Add PKG Swing Away Long L	\$407
<input type="checkbox"/>	KAK31XXR	E0953/E1028	Knee Add PKG Swing Away Long R	\$407
<input type="checkbox"/>	KAK21XXL	E0953/E1028	Knee Add PKG Swing Away Short L	\$407
<input type="checkbox"/>	KAK21XXR	E0953/E1028	Knee Add PKG Swing Away Short R	\$407
<input type="checkbox"/>	KAD10XX	E0953	Knee Adductor Pad 3" Round	\$63
<input type="checkbox"/>	KAD11XX	E0953	Knee Adductor Pad 4" Round	\$63
<input type="checkbox"/>	KAD19XX	E0953	Knee Adductor Pad Made To Order	\$135
<input type="checkbox"/>	HDW4851	E1028	Knee Add brkt Swing Away Long L	\$442
<input type="checkbox"/>	HDW4852	E1028	Knee Add brkt Swing Away Long R	\$442
<input type="checkbox"/>	HDW4853	E1028	Knee Add brkt Swing Away Short L	\$442
<input type="checkbox"/>	HDW4854	E1028	Knee Add brkt Swing Away Short R	\$442

FOOT BOXES				
<input type="checkbox"/>	TST7014L	E0954	Single Foot Box, Std, 14" W/C (left leg)	\$367
<input type="checkbox"/>	TST7014R	E0954	Single Foot Box, Std, 14" W/C (right leg)	\$367
<input type="checkbox"/>	TST7016L	E0954	Single Foot Box, Std, 16" W/C (left leg)	\$367
<input type="checkbox"/>	TST7016R	E0954	Single Foot Box, Std, 16" W/C (right leg)	\$367
<input type="checkbox"/>	TST7018L	E0954	Single Foot Box, Std, 18" W/C (left leg)	\$367
<input type="checkbox"/>	TST7018R	E0954	Single Foot Box, Std, 18" W/C (right leg)	\$367
<input type="checkbox"/>	TST7114	E0954	Full Width Ft Box, Std, 14" W/C (1 pc)	\$596
<input type="checkbox"/>	TST7116	E0954	Full Width Ft Box, Std, 16" W/C (1 pc)	\$596
<input type="checkbox"/>	TST7118	E0954	Full Width Ft Box, Std, 18" W/C (1 pc)	\$596

FLEXI FEET				
<input type="checkbox"/>	32600XS-RT	E0951/E0952	Flexi-Feet System Xtra Small - Pair	\$248
<input type="checkbox"/>	32600S-RT	E0951/E0952	Flexi-Feet System Small - Pair	\$248
<input type="checkbox"/>	32600M-RT	E0951/E0952	Flexi-Feet System Medium - Pair	\$248
<input type="checkbox"/>	32600L-RT	E0951/E0952	Flexi-Feet System Large - Pair	\$248

UPPER BODY POSITIONING

TRAYS				
<input type="checkbox"/>	WCT1005	E0950	Wooden Support Platform, X-Small	\$315
<input type="checkbox"/>	WCT1000	E0950	Wooden Support Platform, Small	\$315
<input type="checkbox"/>	WCT2000	E0950	Wooden Support Platform, Medium	\$315
<input type="checkbox"/>	WCT3000	E0950	Wooden Support Platform, Large	\$315
<input type="checkbox"/>	WCT4000	E0950	Wooden Support Platform, X-Large	\$315
<input type="checkbox"/>	WCT5005	E0950	Lexan Support Platform, X-Small	\$326
<input type="checkbox"/>	WCT5000	E0950	Lexan Support Platform, Small	\$326
<input type="checkbox"/>	WCT6000	E0950	Lexan Support Platform, Medium	\$326
<input type="checkbox"/>	WCT7000	E0950	Lexan Support Platform, Large	\$326
<input type="checkbox"/>	WCT8000	E0950	Lexan Support Platform, X-Large	\$326
<input type="checkbox"/>	WCT9000	E0950	Made To Order Support Platform	\$596

PLATFORM ACCESSORIES				
<input type="checkbox"/>	TAC11XX		Platform Padding, Removable Cover	\$367
<input type="checkbox"/>	TAC4100L		Joystick Cutout, Left	\$74
<input type="checkbox"/>	TAC4100R		Joystick Cutout, Right	\$74
<input type="checkbox"/>	TAC4175		Platform Cutout, Made To Order	\$96
<input type="checkbox"/>	THW6000		Strap with Release Buckle	\$59

SHOE HOLDERS				
<input type="checkbox"/>	TST6001	E0951/E0952	Shoe Holder padded buckles Small	\$81
<input type="checkbox"/>	TST6101	E0951/E0952	Shoe Holder padded buckles Medium	\$81
<input type="checkbox"/>	TST6201	E0951/E0952	Shoe Holder padded buckles Large	\$81
<input type="checkbox"/>	TST6000	E0951/E0952	Shoe Holder non-padded buckles Small	\$73
<input type="checkbox"/>	TST6100	E0951/E0952	Shoe Holder non-padded buckles Med	\$73
<input type="checkbox"/>	TST6200	E0951/E0952	Shoe Holder non-padded buckles Large	\$73

SHOE HOLDERS with TENDON RELIEF				
<input type="checkbox"/>	TST6061	E0951/E0952	Shoe Holder padded buckles Small	\$82
<input type="checkbox"/>	TST6161	E0951/E0952	Shoe Holder padded buckles Medium	\$82
<input type="checkbox"/>	TST6261	E0951/E0952	Shoe Holder padded buckles Large	\$82

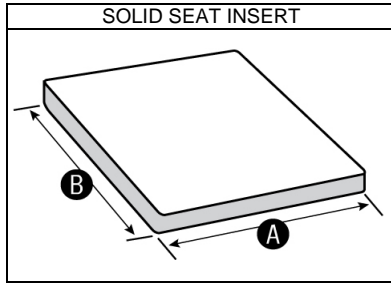
FOOT and ANKLE POSTIONING				
<input type="checkbox"/>	TST6510L	E0951/E0952	Foot & Ankle Positioner Small Left	\$105
<input type="checkbox"/>	TST6510R	E0951/E0952	Foot & Ankle Positioner Small Right	\$105
<input type="checkbox"/>	TST6520L	E0951/E0952	Foot & Ankle Positioner Medium Left	\$105
<input type="checkbox"/>	TST6520R	E0951/E0952	Foot & Ankle Positioner Medium Right	\$105
<input type="checkbox"/>	TST6540L	E0951/E0952	Foot & Ankle Positioner Large Left	\$105
<input type="checkbox"/>	TST6540R	E0951/E0952	Foot & Ankle Positioner Large Right	\$105

ANKLE POSITIONING				
<input type="checkbox"/>	TST6501L	E0951	Ankle Positioner Xtra Small Left	\$81
<input type="checkbox"/>	TST6501R	E0951	Ankle Positioner Xtra Small Right	\$81
<input type="checkbox"/>	TST6511L	E0951	Ankle Positioner Small Left	\$81
<input type="checkbox"/>	TST6511R	E0951	Ankle Positioner Small Right	\$81
<input type="checkbox"/>	TST6521L	E0951	Ankle Positioner Medium Left	\$81
<input type="checkbox"/>	TST6521R	E0951	Ankle Positioner Medium Right	\$81
<input type="checkbox"/>	TST6541L	E0951	Ankle Positioner Large Left	\$81
<input type="checkbox"/>	TST6541R	E0951	Ankle Positioner Large Right	\$81

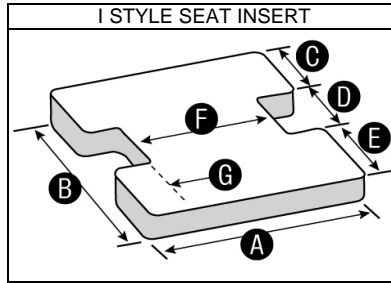
TRAY MOUNTING HARDWARE				
<input type="checkbox"/>	THW1000		Toggle Hardware	\$70
<input type="checkbox"/>	THW2000		Slide Tube Hardware	\$207
<input type="checkbox"/>	THW3000		Birch Runners	\$47
<input type="checkbox"/>	THW3100		S-Style Runners, ABS	\$47
<input type="checkbox"/>	THW3210		Slotted Channel Runners, ABS	\$52
<input type="checkbox"/>	THW3700		Top Drop Platform	\$137
<input type="checkbox"/>	THW4500		Angle-Cam Hardware	\$70

NOTES				

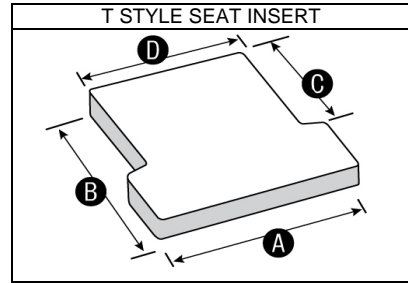
SEAT DIMENSIONS Specifications



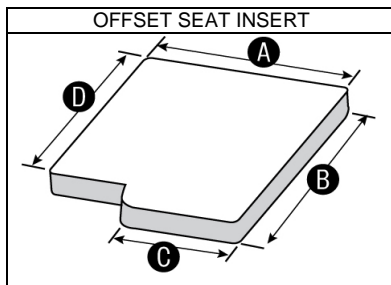
A		B	
---	--	---	--



A		E	
B		F	
C		G	
D			

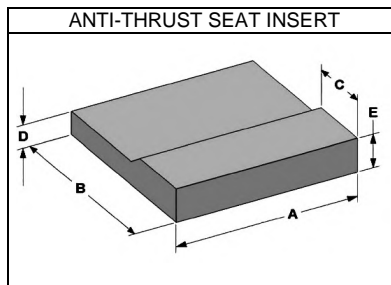


A		C	
B		D	

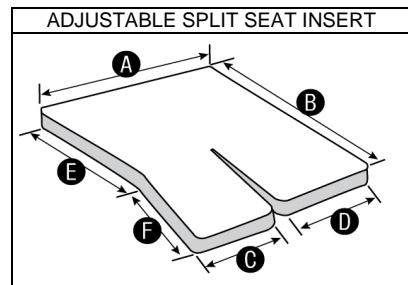


- Long Left Side
- Long Right Side

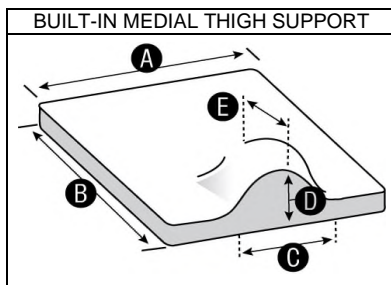
A		C	
B		D	



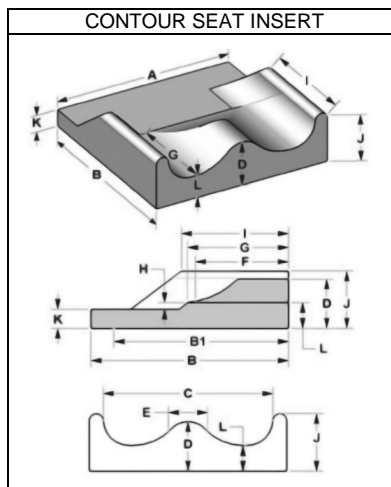
A		D	
B		E	
C			



A		D	
B		E	
C		F	

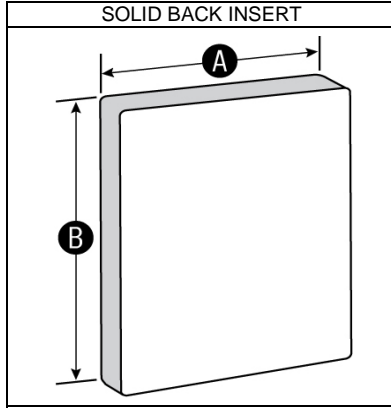


A		D	
B		E	
C			

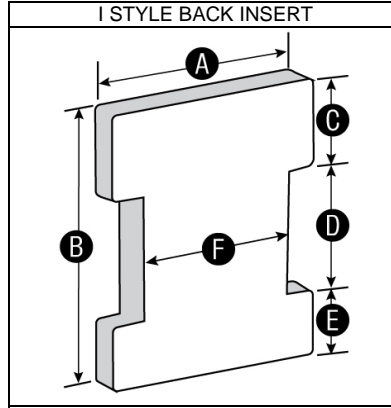


A		G	
B		H	
C		I	
D		J	
E		K	
F		L	

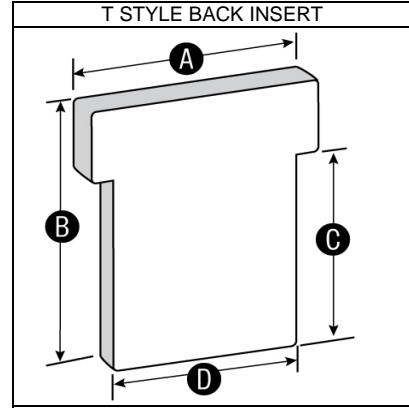
BACK DIMENSIONS Specifications



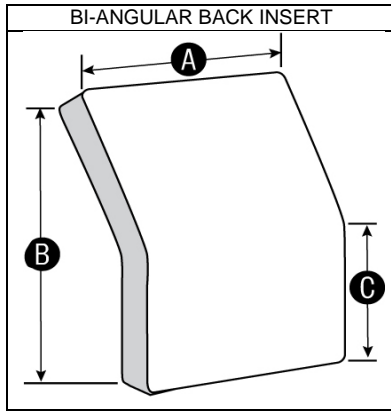
A		B	
---	--	---	--



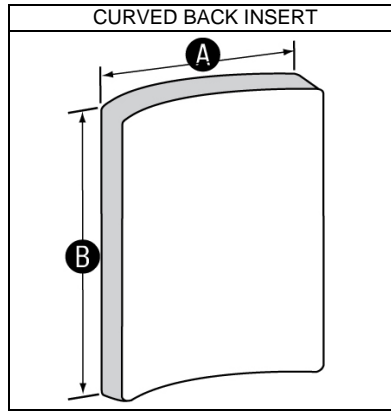
A		D	
B		E	
C		F	



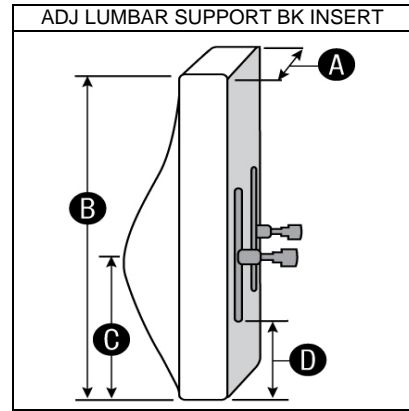
A		C	
B		D	



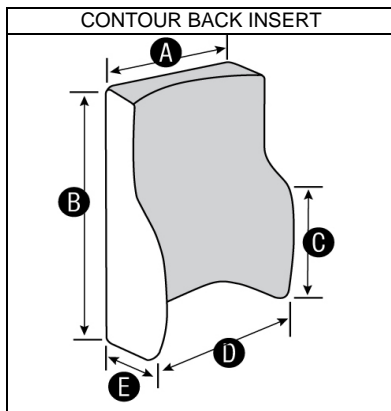
A		C	
B			



A		B	
---	--	---	--



A		C	
B		D	



A		D	
B		E	
C			



Sunrise Medical (US) LLC
2842 Business Park Ave. · Fresno, CA 93727 · USA