

SERIAL NO: _____

AI

ALUMINIUM 7020

CE

**Customer Contact Details**

Customer Name: _____

Advisor: _____

Address: _____

Phone: _____

Email: _____

Ship to Customer Address:

Shipping Name: _____

Shipping Address: _____

Phone: _____

Email: _____

Additional Information

Notes: _____

Current Wheelchair: _____

Customer Weight: _____

Customer Height: _____

Customer Disability: _____

Other**VAT Exemption Declaration (UK Only):**

I declare that I am chronically sick or disabled by reason of:

and that I am receiving from RGK Wheelchairs Ltd, the wheelchair specified herein and I claim relief from Value Added Tax under group 12 of schedule 8 to Value Added Tax Act 1994.

Signature: _____ Date: _____

RGK Contact Authorisation:

From time to time, RGK would like to send you exclusive information, news and offers on everything RGK, by email or post. We will not pass any of your details to any third party.

I would like to be contacted by RGK:

Signature: _____ Date: _____

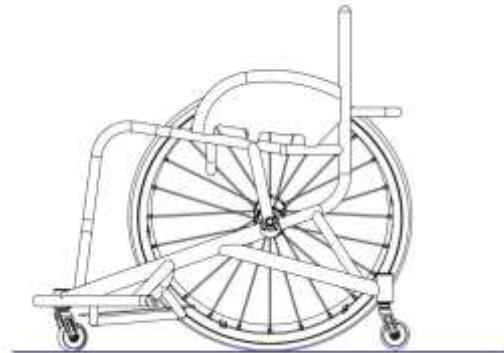
SERIAL NO: _____

Guide:

- Base product
- Required option
- Optional Extra
- Critical Information
- Information Needed

PRODUCT STYLE

- ELAXZ010 ELITE**
\$4,873.00
- ELAXA062 Standard Frame
- ELAXA063 Standard Frame with 25mm seatrail
\$66.00
- ELAXA280 Heavy Duty Frame
\$530.00 (Spinergy R10 wheels also required)
- ELAXA145 Rugby League Upgrade
\$420.00



Max User Weight 125kg (275lbs)

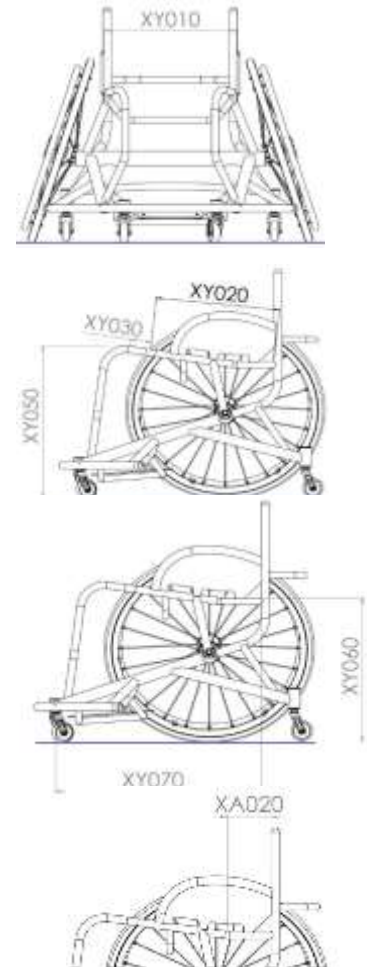
PLEASE NOTE: ALL RGK CHAIRS ARE HAND BUILT AND HAVE A MANUFACTURING MEASUREMENT TOLERANCE OF +/- 5MM

CAD APPROVAL

- | | |
|---|--|
| <ul style="list-style-type: none"> <input type="checkbox"/> XW009 QUOTE ONLY (NO CAD FOR APPROVAL)
\$0.00 <input type="checkbox"/> XW012 QUOTE CAD drawing for approval
\$405.00 (2 customer amendments ONLY) | <ul style="list-style-type: none"> <input type="checkbox"/> XW011 ORDER (NO CAD FOR APPROVAL)
\$0.00 <input type="checkbox"/> XW010 ORDER CAD drawing for approval
\$250.00 (2 customer amendments ONLY) |
|---|--|

KEY MEASUREMENTS

- XY010 Seat width *(Inside to inside of sideguards)*
 mm *(Max - 500mm)*
- XY020 Seat length
 mm *(Max - 500mm)*
- XY030 Extra seat length *(Provides additional leg support & hand grip)*
 mm
- XY050 Front frame height
 mm *(Max - 630mm)
(Min - 360mm)*
- XY060 Rear frame height
 mm *(Max - 630mm)
(Min - 360mm)*
- XY070 Frame length
 mm *(Min = XY020 + XY030 + 140mm)*
- XA020 Ergonomic seat
\$77.00
Specify length
 mm *(Standard = 120mm)*

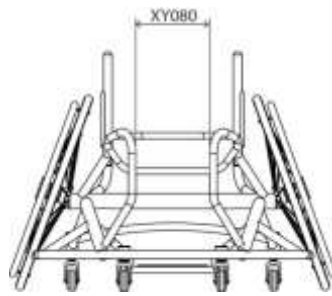


FRONT FRAME AND SEAT

Front Frame Options (Choose One)

XY080 Seat taper design

i Specify taper width
 mm



XA130 V-seat design
 \$204.00

i Specify taper width
 mm

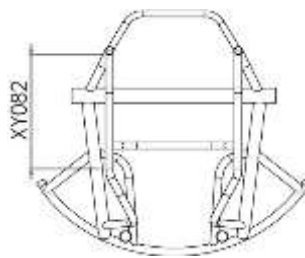
NOTE: INSIDE TO INSIDE WHEEL (XY470) REQUIRED



Advanced Front Frame Options

XY082 Seat taper position
 \$80.00

i Specify measurement
 mm

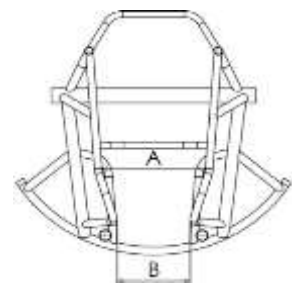


XA131 V-seat and taper design
 \$275.00

i Specify inside width at front of sideguard (A)
 mm

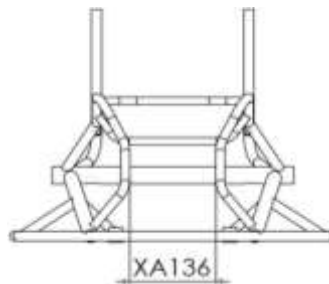
i Specify taper width (B)
 mm

NOTE: INSIDE TO INSIDE WHEEL (XY470) REQUIRED



XA136 Parallel taper design
 \$80.00
 (Not with Seat Taper XY080)

i Specify taper width
 mm



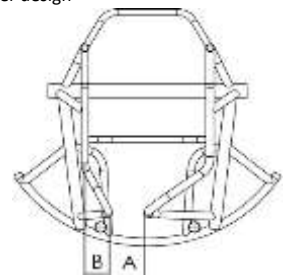
XA135 Asymmetrical taper design
 \$338.00

i Specify taper width (A)
 mm

i Specify offset (B)
 (Inside of sideguard to inside of taper width)
 mm

i Specify offset taper side

Left Right



Seat Options

XR040 Aluminum seat plate
 \$127.00
 (riveted to frame)

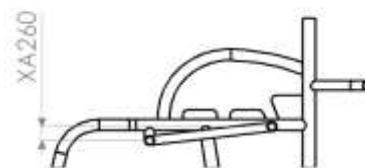
i Specify length of plate
 mm (Std XY020 - 20mm)

XA260 Drop seat design
 \$186.00
 (only with either XR040 or 050)

i Specify drop
 mm (Std = 20mm)

XR050 Carbon fibre seat plate
 \$324.00
 (riveted to frame)

i Specify length of plate
 mm (Std XY020 - 20mm)



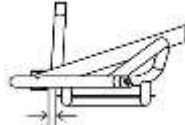


FOOTREST



Fixed Footrest

- ELAXB080 Fixed position footrest



Height and Position

- Front footrest height
 mm (min = 35mm) 
- Rear footrest height
 mm (min = 35mm) 
- Footrest position (front of footplate to castor pot)
 mm 

Footrest Size (Not ABS)

- Footrest width
 mm (Std= 200mm) 
- Footrest length
 mm (Std = 250mm) 

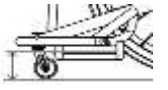

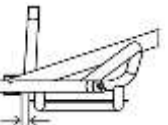
Footrest Plate

- XB180 Aluminium footplate (2.5mm)
- XB190 Carbon fibre footplate \$211.00
- XB100 ABS moulded foot tray \$124.00
 Specify length
 mm (Max = 380mm (Full) Std = 330mm) 
- ELAXB140 Spacer kit \$18.00 (Allows for 25mm increase in height)
- ELAXB145 Multi position footrest tubes \$135.00 



Adjustable Footrest

- ELAXB130 Clamp on adjustable position footrest \$204.00 (100mm range)
- ELAXB085 Adjustable position footrest \$124.00 (50mm range)


Height and Position

- Front footrest height
 mm (min = 40mm) 
- Rear footrest height
 mm (min = 40mm) 
- Footrest position (front of footplate to castor pot)
 mm 

Footrest Size (Not ABS)

- Footrest width
 mm (Std= 200mm) 
- Footrest length
 mm (Std = 250mm) 


Footrest Plate

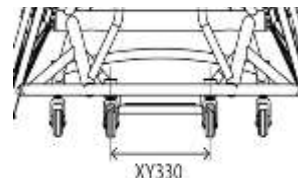
- XB180 Aluminium footplate (5mm)
- XB100 ABS moulded foot tray \$124.00
 Specify length
 mm (Max = 380mm (Full) Std = 330mm) 

Footrest Plate Options

- XB240 Aluminium raised edges \$72.00 (Cost per Edge)
 Front Back Left Right
 Specify height
 (Max = 60mm)
- XB250 Carbon Fibre raised edge \$279.00 (1 side only)
 Front Back
 Specify height
 (Max = 45mm)

Castor Pin Width


- XY330 Castor pin width
 mm **MAX 320mm** 
- Optimise measurements



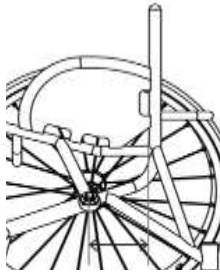
CAMBER BAR, WING AND ANTI-TIP

Centre of Gravity

ELAXY510 Fixed centre of gravity

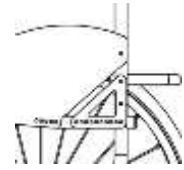
 Specify measurement mm

(Note: dimension is taken from front of backrest to centre of axle)



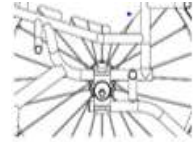
ELAXY515 Backrest COG adjustment (Not with welded sides) (+/-20mm)
\$159.00

Specify measurement mm




ELAXY560 Adjustable centre of gravity
\$226.00

Specify measurement mm



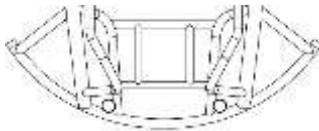
Specify Camber Angle

XY390 Camber angle

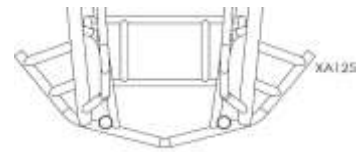
 16 18 20 22

Wing Options

ELAXA110 Round design basketball wing



ELAXA125 Arrow design basketball wing
\$169.00




ELAXA120 Straight sided design basketball wing
\$169.00



Anti-tip options

ELAXJ040 Single fixed anti tip


ELAXJ060 Double fixed anti tip
\$239.00 (With high mount joining bar)

 Specify castor pin width mm

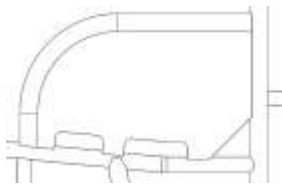
Optimise measurements (Wide as possible - std if not indicated)

SIDEGUARDS

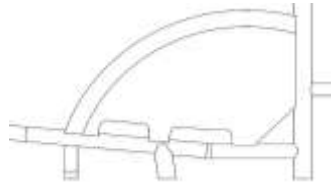
Sideguard Style

- | | | | |
|---|--|---|--|
| <input type="checkbox"/> ELAXE230
\$360.00 | Welded aluminium sport
<i>(Not with backrest COG Adj - ELAXY510)</i> | <input type="checkbox"/> XE030
\$169.00 | Screw on aluminium |
| <input type="checkbox"/> ELAXE250
\$168.00 | Welded aluminium tubes only
<i>(Not with backrest COG Adj - ELAXY510)</i> | <input type="checkbox"/> XE050
\$378.00 | Screw on carbon fibre
<i>(Not recommended for basketball use)</i> |
| <input type="checkbox"/> XE310
\$169.00 | High design upgrade
<i>(Only with option ELAXE230)</i> |  | |

Sideguard Design (Choose One)



Straight design



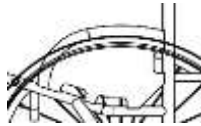

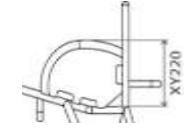






Round design



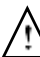
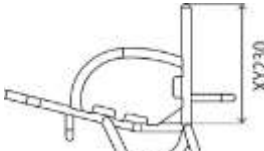

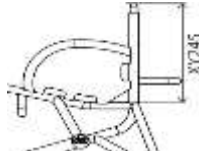
Follow tyre

Sideguard Measurements

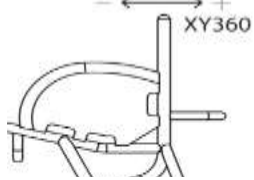
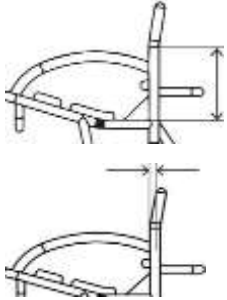
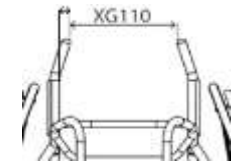
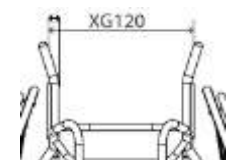
- | | | | |
|---|---|---|---|
| <input type="checkbox"/> Sideguard length
 <input type="text" value="mm"/> |  | <input type="checkbox"/> Follow Tyre Design |  |
| <input type="checkbox"/> Sideguard height (back)
 <input type="text" value="mm"/> |  | <input type="checkbox"/> 25mm above tyre |  |
| <input type="checkbox"/> Sideguard height (front)
<i>(optional for max height players)</i>
<input type="text" value="mm"/> |  | <input type="checkbox"/> Individual above tyre
<input type="text" value="mm"/> |  |
| | | <input type="checkbox"/> Level with tyre |  |

BACKREST

Backrest Height (Choose One)

- | | | | |
|--|---|---|---|
| <input type="checkbox"/> XY230
Fixed backrest height
 Specify height
<input type="text" value="mm"/> |  | <input type="checkbox"/> XY245
\$127.00
Adjustable backrest height
<i>(+/-25mm)</i>
 Specify height
<input type="text" value="mm"/> |  |
|--|---|---|---|

Ergonomic Options

- | | | | |
|---|---|---|---|
| <input checked="" type="checkbox"/> XY360
Backrest angle
-5 -3 0 +3 +5
<input type="checkbox"/> <input type="checkbox"/> <input type="checkbox"/> <input type="checkbox"/> <input type="checkbox"/>
Individual <input type="text" value="Deg"/>
<i>(Max -10/+10 Deg)</i> |  | <input type="checkbox"/> XG100
\$77.00
Ergonomic backrest
Vertical height <input type="text" value="mm"/>
Rearward position <input type="text" value="mm"/> |  |
| <input type="checkbox"/> XG110
\$77.00
Inward taper
<i>(not with ELAXY245)</i>
Specify width or per side
<input type="text" value="mm"/> |  | <input type="checkbox"/> XG120
\$77.00
Outward flare
<i>(not with ELAXY245)</i>
Specify width or per side
<input type="text" value="mm"/> |  |

CASTORS AND REAR WHEELS

Castor Options

- | | |
|--|---|
| <input checked="" type="checkbox"/> XC160 Sport 61mm castor
(Black) | <input type="checkbox"/> XC181 Bones Reds bearings
(All castor bearings) |
| <input checked="" type="checkbox"/> XC200 Sport micro fork | <input type="checkbox"/> XC182 Bones Swiss Ceramic bearings
(All castor bearings)
\$267.00 |

Rear Wheel Size

- | | | | |
|---|---|---|--|
| <input type="checkbox"/> XY420 24" Wheels | <input type="checkbox"/> XY430 25" Wheels | <input type="checkbox"/> XY440 26" Wheels | <input type="checkbox"/> XY450 700C Wheels |
|---|---|---|--|

Rear Wheel Gap

<input type="checkbox"/> XY460 Rear wheel gap		<input type="checkbox"/> XY470 Inside to inside of wheel NOTE: REQUIRED FOR V SEAT AND TAPER	
<input type="checkbox"/> 15 <input type="checkbox"/> 20 <input type="checkbox"/> 25 <input type="checkbox"/> 30 Individual <input type="text"/> mm	OR	<input type="text"/> mm	

Rear Wheel Options

- | | |
|---|--|
| <input type="checkbox"/> XK030 Equalizer 36/48 spoke | <input type="checkbox"/> XK330 Spinerger SLX R10 heavy duty 24 spoke
\$1,332.00
(18 deg camber angle only) |
| <input type="checkbox"/> XK080 Spinerger SLX 24 spoke
\$721.00 | <input type="checkbox"/> XK101 Spinerger XSLX 24 spoke + caps
\$791.00 |

Spinerger Colour Options:

- | | | | |
|--|--|--|---|
| <input type="checkbox"/> Black spokes | <input type="checkbox"/> White spokes | <input type="checkbox"/> Yellow spokes | <input type="checkbox"/> XK180 Individual spoke design
\$169.00
(Specify colour) |
| <input type="checkbox"/> Red spokes | <input type="checkbox"/> Blue spokes | <input type="checkbox"/> Pink spokes | Inside: _____ |
| <input type="checkbox"/> Purple spokes | <input type="checkbox"/> Orange spokes | <input type="checkbox"/> Green spokes | Outside: _____ |

Spinerger Anodise Options

- | | | | |
|---|---|---|--|
| <input type="checkbox"/> XK190 Black hub
(std option) | <input type="checkbox"/> XK200 Silver hub
\$88.00 | <input type="checkbox"/> XK201 Red hub/rims
\$263.00 | <input type="checkbox"/> XK205 Individual hub/rims
\$304.00 Select colour: _____ |
| <input type="checkbox"/> XK202 Purple hub/rims
\$263.00 | <input type="checkbox"/> XK203 Blue hub/rims
\$263.00 | <input type="checkbox"/> XK204 Gold hub/rims
\$263.00 | |

Supply Without Wheels

- | | | |
|--|----------------------------------|---------------------------------|
| <input type="checkbox"/> XK040 Supply without Wheels
-\$177.00 | Wheel Type: <input type="text"/> | Tyre Type: <input type="text"/> |
|--|----------------------------------|---------------------------------|

Handrim Position / Options

- | | |
|--|--|
| <input type="checkbox"/> XY480 Narrow set handrim | <input type="checkbox"/> XY485 Wide set handrim |
| <input type="checkbox"/> XL090 Remove excess mounting tabs
\$97.00
(recommended for small wheel gaps) | <input type="checkbox"/> XL080 Super narrow set handrim
\$195.00
(only with XL040 and includes XL090) |

Handrim Style

- | | |
|---|---|
| <input type="checkbox"/> XL010 Aluminium hard anodised 6 tab | <input type="checkbox"/> XL040 Titanium 6 tab
\$231.00
(Not with 700C) |
| <input type="checkbox"/> XL070 Aluminium hard anodised 12 tab
\$97.00
(24" not available) | <input type="checkbox"/> XL050 Stainless steel 6 tab
\$127.00 |

Tyre Options

- | | |
|--|--|
| <input type="checkbox"/> XM070 Kenda Kaliente <input type="checkbox"/> Red <input type="checkbox"/> Blue | <input type="checkbox"/> XM095 Kenda Wide
\$34.00
(Grey Only) |
| <input type="checkbox"/> XM150 IRC Exeracer Pro
\$80.00
(Red Only) | |
| <input type="checkbox"/> XM080 Tufo MS3 tubeless
\$80.00
(Blue only) | |

Spare Wheel

- | | |
|---|---|
| <input type="checkbox"/> ELAXK500 Spare wheel Spinerger
\$812.00
(Built up + axle pin) | <input type="checkbox"/> XK523 Spare wheel upcharge - Individual Hubs/Rims
\$117.00 |
| <input type="checkbox"/> XK520 Spare wheel upcharge - Titanium Rims
\$189.00 | <input type="checkbox"/> XK524 Spare wheel upcharge - Individual Spoke Colour
\$85.00 |
| <input type="checkbox"/> XK522 Spare wheel upcharge - Remove Excess Tabs
\$49.00 | |

Inner Tube Valve Options

- | | |
|---|--|
| <input type="checkbox"/> XY500 Schraeder inner tube valve | <input type="checkbox"/> XY490 Presta inner tube valve
(Standard if no option selected) |
|---|--|

FINISH OPTIONS

Frame & Component finish

XN010 Powder coated frame XN150 Powder coated components (Frame colour if not specified)

Frame Comp. **Gloss** Frame Comp. **Matt** Frame Comp. **Special**

- | | | |
|--|---|---|
| <input type="checkbox"/> <input type="checkbox"/> Black gloss 103 | <input type="checkbox"/> <input type="checkbox"/> Black matt 105 | <input type="checkbox"/> <input type="checkbox"/> Chrome Mirror 300 |
| <input type="checkbox"/> <input type="checkbox"/> White gloss 100 | <input type="checkbox"/> <input type="checkbox"/> White matt 101 | <input type="checkbox"/> <input type="checkbox"/> Sparkle silver 170 |
| <input type="checkbox"/> <input type="checkbox"/> Grey gloss 132 | <input type="checkbox"/> <input type="checkbox"/> Grey matt 131 | <input type="checkbox"/> <input type="checkbox"/> Metallic black matt 104 |
| <input type="checkbox"/> <input type="checkbox"/> Cream gloss 135 | <input type="checkbox"/> <input type="checkbox"/> Light grey matt 133 | <input type="checkbox"/> <input type="checkbox"/> Metallic grey matt 130 |
| <input type="checkbox"/> <input type="checkbox"/> Red gloss 108 | <input type="checkbox"/> <input type="checkbox"/> Navy blue matt 152 | <input type="checkbox"/> <input type="checkbox"/> Black sandpaper 201 |
| <input type="checkbox"/> <input type="checkbox"/> Yellow gloss 120 | | <input type="checkbox"/> <input type="checkbox"/> Grey sandpaper 202 |
| <input type="checkbox"/> <input type="checkbox"/> Forest green gloss 143 | | <input type="checkbox"/> <input type="checkbox"/> White sandpaper 200 |
| <input type="checkbox"/> <input type="checkbox"/> Green gloss 107 | | |
| <input type="checkbox"/> <input type="checkbox"/> Dark blue gloss 151 | | |
| <input type="checkbox"/> <input type="checkbox"/> Royal blue gloss 154 | | |
| <input type="checkbox"/> <input type="checkbox"/> Blue gloss 174 | | |
| <input type="checkbox"/> <input type="checkbox"/> Duckegg blue gloss 141 | | |
| <input type="checkbox"/> <input type="checkbox"/> Pink gloss 188 | | |
| <input type="checkbox"/> <input type="checkbox"/> Orange gloss 180 | | |
| <input type="checkbox"/> <input type="checkbox"/> Purple gloss 157 | | |

XN200 Individual paint colour (State Colour/RAL code)
\$165.00

Frame Comp

ELAXN030 Brushed frame
\$334.00 (All parts black unless XN160 chosen)

XN160 Brushed components
\$126.00 (not required with fixed footrest & backrest)

ELAXN050 Polished frame
\$884.00 (All parts black unless XN170 chosen)

XN170 Polished components
\$186.00 (not required with fixed footrest & backrest)

Accent Colour

Note: Accent colour includes, forks, castor caps, decals.

- | | | |
|--|--|---|
| <input type="checkbox"/> Black accent | <input type="checkbox"/> Silver accent | <input type="checkbox"/> XN250 Individual accent
\$165.00 |
| <input type="checkbox"/> Red accent | <input type="checkbox"/> Blue accent | <input style="width: 100px; height: 20px;" type="text" value="Select Colour:"/> |
| <input type="checkbox"/> Purple accent | | |

UPHOLSTERY

Seat Upholstery

XP040 Seat sling strap adjustable No seat sling (Seat Plate)

Backrest Upholstery

XP055 Airtech sport backrest strap adjustable (Black) XP070 Backrest upgrade to leather corners (Black)
\$115.00

Backrest Stitching Options

- | | | | |
|---------------------------------|---------------------------------|---------------------------------|--|
| <input type="checkbox"/> Silver | <input type="checkbox"/> Black | <input type="checkbox"/> Blue | <input type="checkbox"/> Individual: _____ |
| <input type="checkbox"/> Red | <input type="checkbox"/> Orange | <input type="checkbox"/> Purple | |

RGK Logo Colour

- | | | | |
|--------------------------------------|---------------------------------|---------------------------------|--|
| <input type="checkbox"/> White (Std) | <input type="checkbox"/> Green | <input type="checkbox"/> Blue | <input type="checkbox"/> Individual: _____ |
| <input type="checkbox"/> Red | <input type="checkbox"/> Orange | <input type="checkbox"/> Purple | |

Model Logo Colour

- | | | | |
|--------------------------------------|---------------------------------|---------------------------------|--|
| <input type="checkbox"/> White (Std) | <input type="checkbox"/> Green | <input type="checkbox"/> Blue | <input type="checkbox"/> Individual: _____ |
| <input type="checkbox"/> Red | <input type="checkbox"/> Orange | <input type="checkbox"/> Purple | |

XP170 Individual backrest embroidery
\$131.00
ADD DETAILS ON PAGE 10

CUSHION

Cushion Foam Options

- XP080** \$80.00 Cushion foam
(select density and size below)
- Soft (CMS040) Medium (CMS050)
- 50mm 75mm 100mm Other
- XP340** \$75.00 Hard Plastazote cushion upgrade
(Indicate max height)
- 580mm 630mm

Cushion Cover Options

- XP085** Nylon cushion cover
(Black)
- XP090** \$62.00 Air Lite cushion cover
(Black)
- XP380** \$85.00 Neoprene cushion cover
(Black)

STRAPS

Velcro straps

- XS050** \$115.00 100mm Pro adjustable velcro strap
- XS055** \$115.00 50mm Pro adjustable velcro strap
- XS057** \$115.00 50mm Pro knee strap
(measurement from tube to tube over knees)

Velcro strap position

Strap 1

Specify strap length

Specify distance from back post

Strap 2

Specify strap length

Specify distance from back post

- XS020** \$78.00 Sport ratchet strap (Click strap)
(11" x 2" pad)
- XS021** \$78.00 Sport ratchet strap (Single)
- XS025** \$204.00 Pelvi Loc 2DA ratchet strap
(For thighs and knees)
- i** Select size:
 Medium (12") Large (14")
- XS030** \$218.00 Pelvi Loc 3DA ratchet strap
(For hips)
- i** Select size:
 S (8") M (12") L (14") XL (17")
- XS035** \$130.00 M2 ratchet strap
(For thighs and knees)
- i** 8" 10" 12"
- XS036** \$130.00 M2 ratchet strap (Single)
(For Feet)
- i** 8" 10" 12"

Strap 1

Specify distance from back post

Strap 2

Specify distance from back post

XS040 \$82.00 Fixed mounting points
(one set per click strap) x1 x2 x3

XS045 \$82.00 Clamped mounting points
(one set per click strap) x1 x2 x3

FRAME OPTIONS

- XR060** \$97.00 Calf strap mounting loops
- XR065** \$97.00 Strap location loops

ACCESSORIES

- XR030** \$96.00 Triple wheel bag
(Black)
- XP130** \$87.00 Frame protectors full length
- XA150** \$62.00 Plastic tube fitted to offensive wing
- XS070** Foot strap (select if required)
- XS060** Calf strap (select if required)
- XP400** Back bar protector
- XR090** Tool kit

ADDITIONAL NOTES

INDIVIDUAL BACKREST EMBROIDERY

PLEASE PROVIDE JPEG IMAGE AT TIME OF ORDER AND NOTE POSITION BELOW



BRACE BAR

SPEC NOTES: