

Mark For: _____

Submitting for: Quote Order

Date: _____
 Dealer Acct #: _____
 Dealer: _____
 Dealer Contact: _____
 Dealer Address: _____
 Dealer City: _____ ST: _____ ZIP: _____
 Dealer Phone: () _____ Fax: () _____
 Confirmation Email: _____
 Confirm Via: Fax Email

PO#: _____

ADDITIONAL SHIPPING INFORMATION

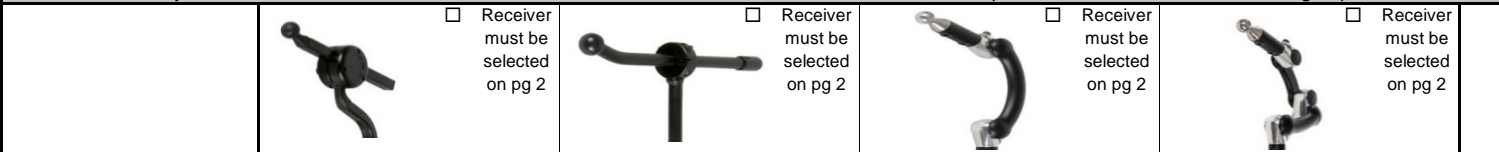
Ship To: _____
 Attention: _____
 Address: _____
 Address: _____
 Ship To City: _____ ST: _____ ZIP: _____
 Ship To Phone: () _____ Fax: () _____

The **HCPCS CODES** provided are based on code verification through PDAC or our interpretation of the code definitions.
 The use of **HCPCS CODES** does not ensure coverage or payment. For coverage information, verify the appropriate payer's coverage policy.

Note: For cover selection, **L** = Lycra and **V** = Dartex Reversed (Example: AXYS-HUFALL or AXYS-HUFALV)

Head Positioning - Use HCPCS Code E0955

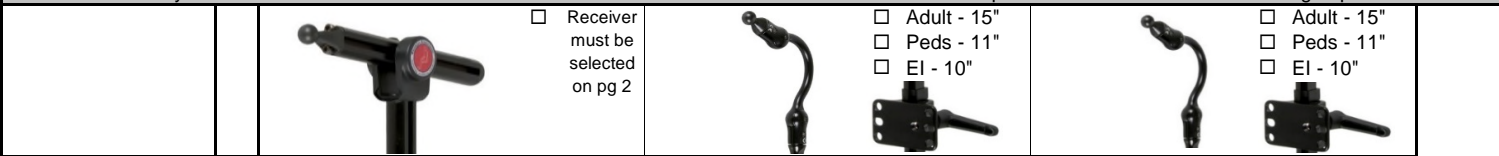
Whitmyer headrests come unassembled. Please add item WHITASSY001 if the dealer would like parts assembled. This is a no charge option.



		PAD	AXYS		ONYX		LINX		LINX ²	
HEADS UP - COMMON SIZES	Fixed Arm	Large	<input type="checkbox"/> AXYS-HUFALL \$295	<input type="checkbox"/> ONYX-HUFALL \$295	<input type="checkbox"/> LINX-HUFALL \$295	<input type="checkbox"/> LINX2-HUFALL \$330				
			<input type="checkbox"/> AXYS-HUFALV \$295	<input type="checkbox"/> ONYX-HUFALV \$295	<input type="checkbox"/> LINX-HUFALV \$295	<input type="checkbox"/> LINX2-HUFALV \$330				
		Medium	<input type="checkbox"/> AXYS-HUFAML \$295	<input type="checkbox"/> ONYX-HUFAML \$295	<input type="checkbox"/> LINX-HUFAML \$295	<input type="checkbox"/> LINX2-HUFAML \$330				
			<input type="checkbox"/> AXYS-HUFAMV \$295	<input type="checkbox"/> ONYX-HUFAMV \$295	<input type="checkbox"/> LINX-HUFAMV \$295	<input type="checkbox"/> LINX2-HUFAMV \$330				
		Small	<input type="checkbox"/> AXYS-HUFASL \$295	<input type="checkbox"/> ONYX-HUFASL \$295	<input type="checkbox"/> LINX-HUFASL \$295	<input type="checkbox"/> LINX2-HUFASL \$330				
	<input type="checkbox"/> AXYS-HUFASV \$295		<input type="checkbox"/> ONYX-HUFASV \$295	<input type="checkbox"/> LINX-HUFASV \$295	<input type="checkbox"/> LINX2-HUFASV \$330					
	Swing-Away Arms*	Early Intervention	<input type="checkbox"/> AXYS-HUFAEIL \$295	<input type="checkbox"/> ONYX-HUFAEIL \$295	<input type="checkbox"/> LINX-HUFAEIL \$295	<input type="checkbox"/> LINX2-HUFAEIL \$330				
			<input type="checkbox"/> AXYS-HUFAEIV \$295	<input type="checkbox"/> ONYX-HUFAEIV \$295	<input type="checkbox"/> LINX-HUFAEIV \$295	<input type="checkbox"/> LINX2-HUFAEIV \$330				
		Large	<input type="checkbox"/> AXYS-HUSALL \$355	<input type="checkbox"/> ONYX-HUSALL \$355	<input type="checkbox"/> LINX-HUSALL \$355	<input type="checkbox"/> LINX2-HUSALL \$390				
			<input type="checkbox"/> AXYS-HUSALV \$355	<input type="checkbox"/> ONYX-HUSALV \$355	<input type="checkbox"/> LINX-HUSALV \$355	<input type="checkbox"/> LINX2-HUSALV \$390				
Medium		<input type="checkbox"/> AXYS-HUSAML \$355	<input type="checkbox"/> ONYX-HUSAML \$355	<input type="checkbox"/> LINX-HUSAML \$355	<input type="checkbox"/> LINX2-HUSAML \$390					
	<input type="checkbox"/> AXYS-HUSAMV \$355	<input type="checkbox"/> ONYX-HUSAMV \$355	<input type="checkbox"/> LINX-HUSAMV \$355	<input type="checkbox"/> LINX2-HUSAMV \$390						
Small	<input type="checkbox"/> AXYS-HUSASL \$355	<input type="checkbox"/> ONYX-HUSASL \$355	<input type="checkbox"/> LINX-HUSASL \$355	<input type="checkbox"/> LINX2-HUSASL \$390						
	<input type="checkbox"/> AXYS-HUSASV \$355	<input type="checkbox"/> ONYX-HUSASV \$355	<input type="checkbox"/> LINX-HUSASV \$355	<input type="checkbox"/> LINX2-HUSASV \$390						
Early Intervention	<input type="checkbox"/> AXYS-HUSAEIL \$355	<input type="checkbox"/> ONYX-HUSAEIL \$355	<input type="checkbox"/> LINX-HUSAEIL \$355	<input type="checkbox"/> LINX2-HUSAEIL \$390						
	<input type="checkbox"/> AXYS-HUSAEIV \$355	<input type="checkbox"/> ONYX-HUSAEIV \$355	<input type="checkbox"/> LINX-HUSAEIV \$355	<input type="checkbox"/> LINX2-HUSAEIV \$390						

Head Positioning - Use HCPCS Code E0955

Whitmyer headrests come unassembled. Please add item WHITASSY001 if the dealer would like parts assembled. This is a no charge option.

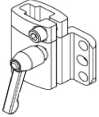



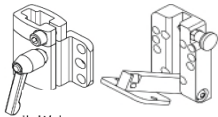
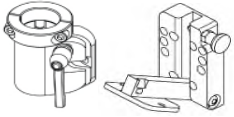
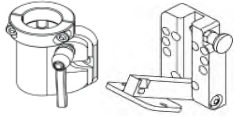
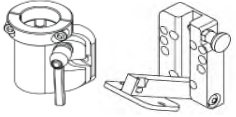


		PAD	PRO		COBRA		COBRA-FB	
HEADS UP - COMMON SIZES	Fixed Arm	Large	<input type="checkbox"/> PRO-HUFALL \$330	<input type="checkbox"/> COBRA-HUFALL \$530	<input type="checkbox"/> FBCOB-HUFALL \$630			
			<input type="checkbox"/> PRO-HUFALV \$330	<input type="checkbox"/> COBRA-HUFALV \$530	<input type="checkbox"/> FBCOB-HUFALV \$630			
		Medium	<input type="checkbox"/> PRO-HUFAML \$330	<input type="checkbox"/> COBRA-HUFAML \$530	<input type="checkbox"/> FBCOB-HUFAML \$630			
			<input type="checkbox"/> PRO-HUFAMV \$330	<input type="checkbox"/> COBRA-HUFAMV \$530	<input type="checkbox"/> FBCOB-HUFAMV \$630			
		Small	<input type="checkbox"/> PRO-HUFASL \$330	<input type="checkbox"/> COBRA-HUFASL \$530	<input type="checkbox"/> FBCOB-HUFASL \$630			
	<input type="checkbox"/> PRO-HUFASV \$330		<input type="checkbox"/> COBRA-HUFASV \$530	<input type="checkbox"/> FBCOB-HUFASV \$630				
	Swing-Away Arms*	Early Intervention	<input type="checkbox"/> PRO-HUFAEIL \$330	<input type="checkbox"/> COBRA-HUFAEIL \$530	<input type="checkbox"/> FBCOB-HUFAEIL \$630			
			<input type="checkbox"/> PRO-HUFAEIV \$330	<input type="checkbox"/> COBRA-HUFAEIV \$530	<input type="checkbox"/> FBCOB-HUFAEIV \$630			
		Large	<input type="checkbox"/> PRO-HUSALL \$400	<input type="checkbox"/> COBRA-HUSALL \$600	<input type="checkbox"/> FBCOB-HUSALL \$700			
			<input type="checkbox"/> PRO-HUSALV \$400	<input type="checkbox"/> COBRA-HUSALV \$600	<input type="checkbox"/> FBCOB-HUSALV \$700			
Medium		<input type="checkbox"/> PRO-HUSAML \$400	<input type="checkbox"/> COBRA-HUSAML \$600	<input type="checkbox"/> FBCOB-HUSAML \$700				
	<input type="checkbox"/> PRO-HUSAMV \$400	<input type="checkbox"/> COBRA-HUSAMV \$600	<input type="checkbox"/> FBCOB-HUSAMV \$700					
Small	<input type="checkbox"/> PRO-HUSASL \$400	<input type="checkbox"/> COBRA-HUSASL \$600	<input type="checkbox"/> FBCOB-HUSASL \$700					
	<input type="checkbox"/> PRO-HUSASV \$400	<input type="checkbox"/> COBRA-HUSASV \$600	<input type="checkbox"/> FBCOB-HUSASV \$700					
Early Intervention	<input type="checkbox"/> PRO-HUSAEIL \$400	<input type="checkbox"/> COBRA-HUSAEIL \$600	<input type="checkbox"/> FBCOB-HUSAEIL \$700					
	<input type="checkbox"/> PRO-HUSAEIV \$400	<input type="checkbox"/> COBRA-HUSAEIV \$600	<input type="checkbox"/> FBCOB-HUSAEIV \$700					

*See Page 3 for all custom configurations available

Mounting Brackets - Use HCPCS Code E1028

Head Support System Mounting Brackets must be ordered separately, except for COBRA

	AXYS	ONYX	LINX & LINX ²	PRO	COBRA mounting system includes detachable mounting bracket	
REMOVABLE MOUNTING BRACKET (PART SOLD SEPARATELY FROM POST & PAD)						
Detachable	<input type="checkbox"/> M2500 \$105	<input type="checkbox"/> M2100-WB \$85	<input type="checkbox"/> M2300 \$165	<input type="checkbox"/> M2200-WB \$185		
REMOVABLE & SWING-AWAY MNT BRACKET (PART SOLD SEPARATELY FROM POST & PAD)						
Swing-Away	<input type="checkbox"/> M5500 \$200	<input type="checkbox"/> M5100 \$185	<input type="checkbox"/> M5300 \$265	<input type="checkbox"/> M5200 \$285		

HEADS UP - HEAD AND NECK POSITIONING SYSTEM ORDERING GUIDE

Head Support System Mounting Brackets must be ordered separately, except for COBRA

STEP 1: SELECT HARDWARE SYSTEM

							
	<input type="checkbox"/> AXYS-HU	<input type="checkbox"/> ONYX-HU	<input type="checkbox"/> LINX-HU	<input type="checkbox"/> LINX2-HU	<input type="checkbox"/> PRO-HU	<input type="checkbox"/> COBRA-HU	<input type="checkbox"/> FBCOB-HU
W/O OCC Pad	\$355	\$355	\$355	\$390	\$400	\$600	\$700
W/ OCC Pad	\$455	\$455	\$455	\$490	\$500	\$700	\$800

BUILD YOUR HEADS UP SMART PART NUMBER

STEP 1 Enter Hardware System Part Number	
STEP 2 Enter I, S, M, or L	
STEP 3 Enter T or S	
STEP 4 Enter S or L	
STEP 5 Enter S or C	
STEP 6 Enter L or V	
STEP 7 (Optional) Enter -O5, -O6, -O8, or -O10	

STEP 2: SELECT NECK WIDTH



- I = Infant 3.3" wide
- S = Small 4" wide
- M = Medium 4.6" wide
- L = Large 5.8" wide

STEP 4: SELECT SWING OUT SUPPORT ARM LENGTH



- S = Short
 - L = Long
- Infant & Small: Short = 5.63" Long = 7.25"*
Medium & Large: Short = 7" Long = 9"

STEP 5: SELECT FOAM TYPE

- S = Standard
- C = Comfort

STEP 6: SELECT COVER

- L = Lycra Neoprene
- V = Dartex Reversed

STEP 3: SELECT CONTOUR CRADLE HEIGHT



- T = Tall
- S = Short

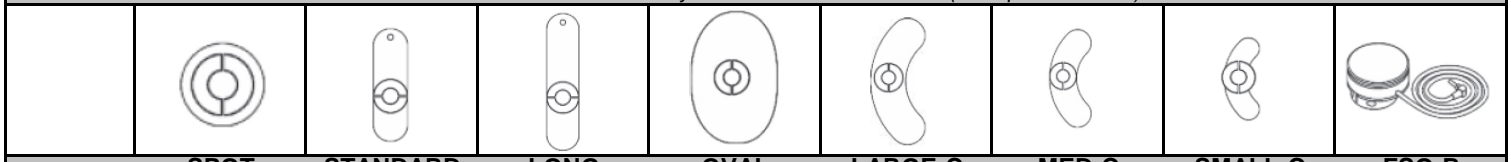
STEP 7: SELECT OPTIONAL OCC PADS

Available on Short Heights Only

- O5 = Pediatric 5" Pad (Short Infant Sizes)
- O6 = Adult 6" Pad (Short Small Sizes)
- O8 = Plush 8" Pad (Short Medium Sizes)
- O10 = Plush 10" Pad (Short Large Sizes)
- N/A

Lateral Facial Supports

Note: Cover Selection - Add L = Lycra or V = Dartex Reversed (Example: LFC-PL L)



SPOT STANDARD LONG OVAL LARGE-C MED-C SMALL-C FSO-B

Unilateral	<input type="checkbox"/>	LFC10-CSL \$220 LM115 \$80	<input type="checkbox"/>	LFC15-CSL \$220 LM115 \$80	<input type="checkbox"/>	LFC20-CSL \$220 LM115 \$80	<input type="checkbox"/>	LFC25-CSL \$220 LM115 \$80	<input type="checkbox"/>	LFC30-CSL \$220 LM115 \$80	<input type="checkbox"/>	LFC35-CSL \$220 LM115 \$80	<input type="checkbox"/>	LFC40-CSL \$220 LM115 \$80	<input type="checkbox"/>	LFC80-CS \$255 LM115 \$80
	<input type="checkbox"/>	LFC10-CSV \$220 LM115 \$80	<input type="checkbox"/>	LFC15-CSV \$220 LM115 \$80	<input type="checkbox"/>	LFC20-CSV \$220 LM115 \$80	<input type="checkbox"/>	LFC25-CSV \$220 LM115 \$80	<input type="checkbox"/>	LFC30-CSV \$220 LM115 \$80	<input type="checkbox"/>	LFC35-CSV \$220 LM115 \$80	<input type="checkbox"/>	LFC40-CSV \$220 LM115 \$80		

Bilateral	<input type="checkbox"/>	LFC10-CS2L \$410 LM115 \$80 LM115 \$80	<input type="checkbox"/>	LFC15-CS2L \$410 LM115 \$80 LM115 \$80	<input type="checkbox"/>	LFC20-CS2L \$410 LM115 \$80 LM115 \$80	<input type="checkbox"/>	LFC25-CS2L \$410 LM115 \$80 LM115 \$80	<input type="checkbox"/>	LFC30-CS2L \$410 LM115 \$80 LM115 \$80	<input type="checkbox"/>	LFC35-CS2L \$410 LM115 \$80 LM115 \$80	<input type="checkbox"/>	LFC40-CS2L \$410 LM115 \$80 LM115 \$80	<input type="checkbox"/>	LFC80-CS2 \$469 LM115 \$80 LM115 \$80
	<input type="checkbox"/>	LFC10-CS2V \$410 LM115 \$80 LM115 \$80	<input type="checkbox"/>	LFC15-CS2V \$410 LM115 \$80 LM115 \$80	<input type="checkbox"/>	LFC20-CS2V \$410 LM115 \$80 LM115 \$80	<input type="checkbox"/>	LFC25-CS2V \$410 LM115 \$80 LM115 \$80	<input type="checkbox"/>	LFC30-CS2V \$410 LM115 \$80 LM115 \$80	<input type="checkbox"/>	LFC35-CS2V \$410 LM115 \$80 LM115 \$80	<input type="checkbox"/>	LFC40-CS2V \$410 LM115 \$80 LM115 \$80		

Pad Only*	<input type="checkbox"/>	PL10L \$70	<input type="checkbox"/>	PL15L \$100	<input type="checkbox"/>	PL20L \$100	<input type="checkbox"/>	P600L \$100	<input type="checkbox"/>	PL30L \$100	<input type="checkbox"/>	PL35L \$100	<input type="checkbox"/>	PL40L \$90	N/A
	<input type="checkbox"/>	PL10V \$70	<input type="checkbox"/>	PL15V \$100	<input type="checkbox"/>	PL20V \$100	<input type="checkbox"/>	P600V \$100	<input type="checkbox"/>	PL30V \$100	<input type="checkbox"/>	PL35V \$100	<input type="checkbox"/>	PL40V \$90	

ADDITIONAL LATERAL FACIAL SUPPORT PARTS

**Note: If ordering an additional Lateral Facial Support, select both a Lateral Facial Support Pad Only from page 3 and an Infinity Mount from below as well*

✓	Option #	Definition	Price
<input type="checkbox"/>	242161	Infinity Dual Mount Assembly*	\$195
<input type="checkbox"/>	LM1010	Lateral Facial Support*	\$125

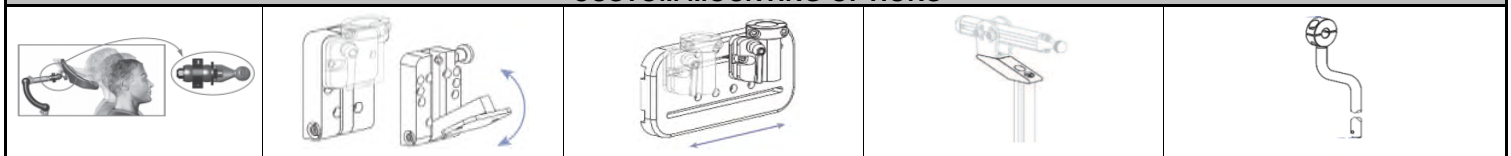
ANTERIOR HEAD SUPPORT



DYNAMIC FOREHEAD STRAP DFS² STRAP CAP STATIC FOREHEAD STRAP

ADULT	<input type="checkbox"/>	DFS10	\$289	<input type="checkbox"/>	DFSQ10	\$349	<input type="checkbox"/>	CAP10 (black)	\$400	<input type="checkbox"/>	HU10	\$315
	PEDS	<input type="checkbox"/>	DFS30	\$289	<input type="checkbox"/>	DFSQ30	\$349	<input type="checkbox"/>	CAP30-R (red)			
							<input type="checkbox"/>	CAP30-B (blue)	\$400			

CUSTOM MOUNTING OPTIONS



FLEX INTERFACE BRACKET UNIVERSAL SWING-AWAY MOUNT SLIDE MOUNT PRO OFF-SET MOUNTING SYSTEM ONYX REARWARD OFF-SET VERTICAL ROD

<input type="checkbox"/>	M9450 (hard)	\$185	<input type="checkbox"/>	M5000	\$100	<input type="checkbox"/>	M7010	\$95	<input type="checkbox"/>	PRC7070	\$163	<input type="checkbox"/>	OX6030	\$60
<input type="checkbox"/>	M8451 (soft)	\$185												

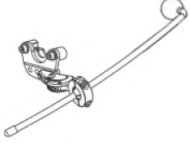
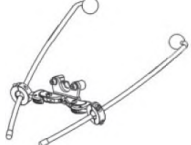


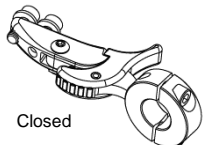
TOOLS

✓	Option #	Definition	Price
<input type="checkbox"/>	BOLT LUBE	Bolt Lube	\$0
<input type="checkbox"/>	T2500	Tool Kit	\$3.33

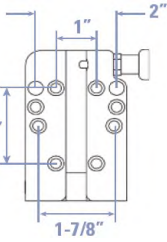
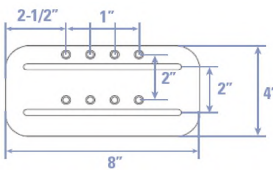

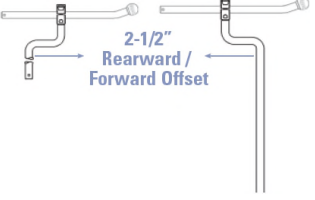
Pad Styles

HEADS UP COMMON SIZES				
				
	Large HU-L 5.3" Neck Width 9" Long Arms Standard Foam	Medium HU-M 4.1" Neck Width 9" Long Arms Standard Foam	Small HU-S 3.5" Neck Width 5.6" Short Arms Standard Foam	Early Intervention HU-I 2.8" Neck Width 5.6" Short Arms Standard Foam

Lateral Facial Supports

MOUNTING HARDWARE					
					
	Unilateral	Bilateral	Infinity Mount	Swing-Away Mount	LM115

CUSTOM MOUNTS

			
UNIVERSAL SWING-AWAY MOUNT	SLIDE MOUNT	PRO OFF-SET MOUNTING SYSTEM	ONYX REARWARD OFF-SET VERTICAL ROD



Sunrise Medical (US) LLC

2842 Business Park Ave. · Fresno, CA 93727 · USA