

2. SIZE/SEATING CONT.

Seats

<input type="checkbox"/>	087ST55	E2231	Solid Seat (Req. Solid Back) <i>(N/A w/ 10-11, 19-20 inch frame depth or 17-18 inch frame width.)</i>	\$200
<input type="checkbox"/>	087PN3	E2231	Growing Seat Pan Depth (Fig. 1)	\$200
<input type="checkbox"/>	087ST27		Omit Seat	STD

JAY Cushions (Optional)

To order any JAY cushions on-chair, please see the JAY price list. Cushion name or part number must be filled out with desired width and depth.

<input type="checkbox"/>	087JC20	JAY Bundled Cushion		Price List
		Name / Part #		
		Width:	Depth:	

REFERENCE ONLY

Seat Depth Pan Size	Depth Range	
	Minimum	Maximum
Short 10"-12"	10"	14"
Medium 13"-14"	11 3/4"	16 1/4"
Long 15"-17"	13 3/4"	18 1/4"
X-Long 18"-20"	15 3/4"	20 1/4"

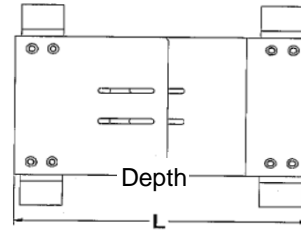


Figure 7.1 - Frame Depth Growth Range Matrix

3. CASTERS/SEAT HEIGHT

Caster Wheel

<input type="checkbox"/>	087CW30		3" Micro Light Up	\$65
<input type="checkbox"/>	087CW31		4" Micro Light Up	\$70
<input type="checkbox"/>	087CW51		5" Micro Light Up	\$85
<input type="checkbox"/>	087CW5		5" Low-Profile Polyurethane	STD
<input type="checkbox"/>	087CW7	E2219	5" x 1.5" Semi-Pneumatic	\$85
<input type="checkbox"/>	087CW33	E2214 E2215	6" Pneumatic	\$75
<input type="checkbox"/>	087CW34		6" Polyurethane	NC
<input type="checkbox"/>	087CW35	E2219	6" x 1.5" Semi-Pneumatic	\$85
<input type="checkbox"/>	087CW21	E2214 E2215	8" Pneumatic	\$85
<input type="checkbox"/>	087CW32		8" Polyurethane	NC
<input type="checkbox"/>	087CW39	E2219	8" x 1.5" Semi-Pneumatic	\$85
<input type="checkbox"/>	087CW36	E2214 E2215	8" x 2" Pneumatic	\$145
<input type="checkbox"/>	087CW37	E2214 K0108	8" x 2" Pneumatic w/Airless Insert	\$225

Caster Options

<input type="checkbox"/>	087CS5		3/4" Longer Fork Stem Bolt	NC
<input type="checkbox"/>	087CS9		1 1/2" Longer Fork Stem Bolt	NC
<input type="checkbox"/>	087CS3	K0073	Caster Pin Locks <i>(N/A with 8" x 2" casters or Transit Opt.)</i>	\$195
<input type="checkbox"/>	087CW38		Omit Caster, Wheels & Tires	NC

4. REAR WHEELS/SEAT HEIGHT

Axle Plate

<input type="checkbox"/>	087AL17	E0958	One Arm Drive <i>(Avail w/ 20", 22", 24" Mag Rear Wheels & 13"-18" wide)</i>	\$900
<input type="checkbox"/>	087OA2		Standard Handrim	NC
<input type="checkbox"/>	087HM1		Right	NC
<input type="checkbox"/>	087HM2		Left	NC
<input type="checkbox"/>	087OA1		Small Handrim	NC
<input type="checkbox"/>	087HM1		Right	NC
<input type="checkbox"/>	087HM2		Left	NC

Axle

<input type="checkbox"/>	087AX26		One Arm Drive Axle <i>(Only avail. w/One Arm Drive Option)</i>	STD
<input type="checkbox"/>	087AX1		Quick Release	NC
<input type="checkbox"/>	087AX11		Quad Quick Release <i>(N/A with Lite Spokes)</i>	\$125

4. REAR WHEELS/SEAT HEIGHT CONT.

Rear Wheel Size			
<input type="checkbox"/>	087RW48	12" Mag <i>(N/A with handrims)</i>	\$55
<input type="checkbox"/>	087RW14	16" Mag <i>(N/A with handrims)</i>	\$55
<input type="checkbox"/>	087RW3	20" Mag	NC
<input type="checkbox"/>	087RW8	22" Mag	NC
<input type="checkbox"/>	087RW1	24" Mag	NC
<input type="checkbox"/>	087RW12	18" Spoke	\$100
<input type="checkbox"/>	087RW74	20" Lite Spoke	NC
<input type="checkbox"/>	087RW75	22" Lite Spoke	NC
<input type="checkbox"/>	087RW54	24" Lite Spoke	\$200
<input type="checkbox"/>	087RW25	Omit Rear Wheel & Axle	-\$55

Handrim			
<input type="checkbox"/>	087HR1	Aluminum Anodized	NC
<input type="checkbox"/>	087HR4	Plastic Coated	\$110
<input type="checkbox"/>	087HR7	Omit <i>(N/A with wheel/axle credit)</i>	NC

Projections <i>(N/A on Plastic Coated)</i>			
<i>*Only available with 24" wheels & N/A with spoke guards.</i>			
<input type="checkbox"/>	087HR8	8 Oblique	\$325

Rear Wheel Tire			
<input type="checkbox"/>	087RT1	Pneumatic	NC
<input type="checkbox"/>	087RT2	E2211 E2213 Pneumatic Airless Insert	\$85
<input type="checkbox"/>	087RT3	Full Polyurethane <i>(N/A w/ 12", 16" and 18" rear wheels)</i>	NC
<input type="checkbox"/>	087RT4	Low Polyurethane <i>(Only available with 12" and 24" wheels)</i>	NC
<input type="checkbox"/>	087RT6	E2211 E2212 High Pressure Clincher <i>(Avail. w/ 24" spoke wheels, N/A with mag wheels)</i>	\$95

5. WHEEL LOCK/HUB LOCK

Wheel Lock			
<i>N/A with Hub Locks</i>			
<input type="checkbox"/>	087WL1	High Mount Push	NC
<input type="checkbox"/>	087WL2	High Mount Pull	NC
<input type="checkbox"/>	087WL25	Foot Lock <i>(may limit folding width, N/A in rev. config.)</i>	NC
<input type="checkbox"/>	087WL10	Omit	NC
<input type="checkbox"/>	087WL12	Do Not Mount	NC

Hub Lock			
<i>*Only available with 12" or 16" wheels. N/A with One Arm Drive.</i>			
<input type="checkbox"/>	087LK01	12" Hub Lock	\$100
<input type="checkbox"/>	087LK02	16" Hub Lock	\$100

Extension Handle			
<input type="checkbox"/>	087EH1	E0961 6" Pair	\$75

6. HANGER and FOOTRESTS

Hanger Mounted Footrest (Footplates Mount to Hanger Tubing)			
<i>Hanger Type</i>			
<input type="checkbox"/>	087H89		70° Swing In/Out Front Mount NC
<input type="checkbox"/>	087H90		80° Swing In/Out Front Mount NC
<input type="checkbox"/>	087H6		90° Swing Away Front Mount NC
<input type="checkbox"/>	087H9		70° HD Front Mount Lift-Off NC
<input type="checkbox"/>	087H10		80° HD Front Mount Lift-Off NC
<input type="checkbox"/>	087H11		90° HD Front Mount Lift-Off NC
<input type="checkbox"/>	087H23	E0990	90° Elevating (N/A 10"-11" wide) \$315
Extensions (may interfere with some seat heights & casters)			
<input type="checkbox"/>	087E23		2" (not mounted) \$55
<input type="checkbox"/>	087E24		4" (not mounted) \$55

Footplate			
<input type="checkbox"/>	087F9	K0040	Kids Angle Adjustable (N/A w/17"-18" widths) \$185
<input type="checkbox"/>	087F8	K0040	Adult Angle Adj. (Available with 10"-18" widths) \$185
<input type="checkbox"/>	087F62	K0040	Footboard (Available with 10"-16" widths) \$190

Ext. Tube Mounted Footrest (Footplate Mount to Ext. Tube)			
<i>Hanger Type</i>			
<input type="checkbox"/>	087H85		60° Swing In/Out NC
<input type="checkbox"/>	087H86		70° Swing In/Out STD
<input type="checkbox"/>	087H116		80° Swing In/Out (N/A with 6" or 8" Casters) STD
<input type="checkbox"/>	087H24	K0053	Articulating (N/A w/composite footplates or 10"-13") \$370
<input type="checkbox"/>	087H14	E0990	Elevating (N/A w/ composite or platform footplates or < 16" width) \$315
Extensions			
<input type="checkbox"/>	087E1		Short (11.5" - 14") NC
<input type="checkbox"/>	087E2		Med (14" - 17") (N/A w/ ELR) NC
<input type="checkbox"/>	087E5		Long (17" - 19") NC
<input type="checkbox"/>	087E16		High Mount \$75

Footplate			
<input type="checkbox"/>	087F1		Composite (N/A In 10", 11" or 12" width) STD
<input type="checkbox"/>	087F3	K0040	Aluminum Angle Adjustable \$185
<input type="checkbox"/>	087F4	K0040	Kids Angle Adjustable (N/A w/17"-18" width) \$185
<input type="checkbox"/>	087F5		Aluminum (Only available with elevating leg rests 14"-18") NC
<input type="checkbox"/>	087F48	K0040	Platform Flip-Up (Avail on 60° 70° and 80° ext. mount hangers only) \$190

Front Seat to Floor Height Guide (Reference Only)											
Rear Wheel Size	CASTER SIZE										
	3"	4"	5"	6"	8"X1"	8"X1.5"	8"X2"				
12"	14.0"	14.0"	14.0"	N/A	N/A	N/A	N/A				
	14.5"	14.5"	14.5"								
	15.0"	15.0"	15.0"	15.0"							
	15.5"	15.5"	15.5"	15.5"							
	16.0"	16.0"	16.0"	16.0"							
12" Low Poly	14.0"	14.0"	14.0"	15.0"	N/A	N/A	N/A				
	14.5"	14.5"	14.5"								
	15.0"	15.0"	15.0"								
16"	14.0"	14.0"	14.0"	N/A	N/A	N/A	N/A				
	14.5"	14.5"	14.5"								
	15.0"	15.0"	15.0"	15.0"							
	15.5"	15.5"	15.5"	15.5"							
	16.0"	16.0"	16.0"	16.0"							
	16.5"	16.5"	16.5"	16.5"					16.5"	16.5"	16.5"
17.0"	17.0"	17.0"	17.0"	17.0"	17.0"	N/A					
18"	14.0"	14.0"	14.0"	N/A	N/A	N/A	N/A				
	14.5"	14.5"	14.5"								
	15.0"	15.0"	15.0"	15.0"							
	15.5"	15.5"	15.5"	15.5"							
	16.0"	16.0"	16.0"	16.0"							
	16.5"	16.5"	16.5"	16.5"					16.5"	16.5"	16.5"
	17.0"	17.0"	17.0"	17.0"					17.0"	17.0"	N/A
	17.5"	17.5"	17.5"	17.5"					17.5"	17.5"	17.5"
	N/A	18.0"	18.0"	18.0"					18.0"	18.0"	18.0"
20"	14.0"	14.0"	14.0"	N/A	N/A	N/A	N/A				
	14.5"	14.5"	14.5"						15.0"		
	15.0"	15.0"	15.0"	15.5"							
	15.5"	15.5"	15.5"	16.0"					16.5"	16.5"	16.5"
	16.0"	16.0"	16.0"	16.5"					17.0"	17.0"	N/A
	16.5"	16.5"	16.5"	17.0"					17.5"	17.5"	17.5"
	17.0"	17.0"	17.0"	17.5"					18.0"	18.0"	18.0"
	17.5"	17.5"	17.5"	18.0"					18.5"	18.5"	18.5"
	N/A	18.0"	18.0"	18.5"					19.0"	19.0"	19.0"
	N/A	N/A	18.5"	19.0"					19.5"	19.5"	N/A
22"	N/A	N/A	N/A	15.0"	N/A	N/A	N/A				
	15.0"	15.0"	15.0"	15.5"	16.5"	16.5"					
	15.5"	15.5"	15.5"	16.0"	17.0"	17.0"					
	16.0"	16.0"	16.0"	16.5"	17.5"	17.5"	16.5"				
	16.5"	16.5"	16.5"	17.0"	18.0"	18.0"	N/A				
	17.0"	17.0"	17.0"	17.5"	18.5"	18.5"	17.5"				
	17.5"	17.5"	17.5"	18.0"	19.0"	19.0"	18.0"				
	N/A	18.0"	18.0"	18.5"	19.5"	19.5"	18.5"				
N/A	N/A	18.5"	19.0"	20.0"	20.0"	19.0"					
24"	15.5"	15.5"	15.5"	15.5"	N/A	N/A	N/A				
	16.0"	16.0"	16.0"	16.0"	16.5"	16.5"	16.5"				
	16.5"	16.5"	16.5"	16.5"	17.0"	17.0"	N/A				
	17.0"	17.0"	17.0"	17.0"	17.5"	17.5"	17.5"				
	17.5"	17.5"	17.5"	17.5"	18.0"	18.0"	18.0"				
	N/A	18.0"	18.0"	18.0"	18.5"	18.5"	18.5"				
	N/A	N/A	18.5"	18.5"	19.0"	19.0"	19.0"				
	N/A	N/A	N/A	19.0"	19.5"	19.5"	N/A				
	N/A	N/A	N/A	N/A	20.0"	20.0"	N/A				

Based on 1.5" seat angle. To achieve desired seat height see matrices on last page.

6. FOOTRESTS CONT.

Footrest Hanger Options

<input type="checkbox"/>	087IG2		Neoprene Covers (Avail. on 60°/70°/80° ext. mount hangers only)	\$90
<input type="checkbox"/>	087HL1	E0951	Heel Loops	\$40
<input type="checkbox"/>	087A110	E0952	Toe Loop (Only avail. w/ adult angle adjust. footplates)	\$40

<input type="checkbox"/>	087HL5	K0038	Leg Strap	\$40
<input type="checkbox"/>	087A54	K0038	Extra Single Leg Strap	\$35
<input type="checkbox"/>	087H33		Omit Hanger	-\$15
<input type="checkbox"/>	087F7		Omit Footplate & Ext. Tube	-\$15
<input type="checkbox"/>	087HL4		Omit Heel Loop	NC
<input type="checkbox"/>	087HL6		Omit Single Leg Strap	NC

7. BACKREST/SEATING

Back Height

(Solid Back Depth = 2" Less Than Frame Depth)

<input type="checkbox"/>	087B240		Short Solid Back 12"	\$100
<input type="checkbox"/>	087B241		Med. Solid Back 14"	\$100
<input type="checkbox"/>	087B242		Tall Solid Back 16"	\$100
<input type="checkbox"/>	087BU14		Omit Backrest	-\$15

JAY Backs (Optional)

Ordering JAY backs on-chair, See the JAY Price List. Requires Part #

<input type="checkbox"/>	087JB02	JAY Bundled Backrest	Price List
		Backrest Name or Part #	
		Width:	Height:

Back Posts

Fixed Height

<input type="checkbox"/>	087BP9		Low (19" Ht)	NC
<input type="checkbox"/>	087BP10		Medium (22" Ht)	NC
<input type="checkbox"/>	087BP11		Tall (25" Ht)	NC
<input type="checkbox"/>	087BP13		Removable Extension	\$85
<input type="checkbox"/>	087RG1		Folding Adjustable Rigidizer	\$175

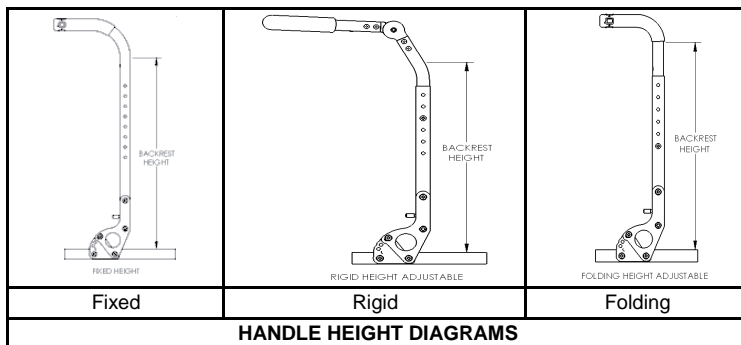
Height Adjustable

Rigid Frame w/ Angle Adjust Push Handle

<input type="checkbox"/>	087B202	Std. (16"-22" Height.)	NC
<input type="checkbox"/>	087PH8	Std. Angle Adj. Push Handle	NC
<input type="checkbox"/>	087PH9	Long Angle Adj. Push Handle	NC
<input type="checkbox"/>	087B203	Tall (19"-25" Height.)	NC
<input type="checkbox"/>	087PH8	Std. Angle Adj. Push Handle	NC
<input type="checkbox"/>	087PH9	Long Angle Adj. Push Handle	NC

Folding Frame with Push Handle

<input type="checkbox"/>	087B204	Std. (17"-23" Height.)	NC
<input type="checkbox"/>	087BP47	Swing Away Handle (N/A with dual triggers)	\$55
<input type="checkbox"/>	087B205	Tall (20"-26" Height.)	NC
<input type="checkbox"/>	087BP47	Swing Away Handle (N/A with dual triggers)	\$55



8. ARMRESTS

Side Guard

(N/A with height adjustable armrests or T-Post)

<input type="checkbox"/>	087SG33	K0108	Plastic Std	\$140
<input type="checkbox"/>	087SG29	K0108	Plastic Low	\$140

Armrest and Armpad

<input type="checkbox"/>	087AA12	E0973	T-Post Regular w/Foam	\$265
<input type="checkbox"/>	087AA13	E0973	T-Post Tall w/Foam	\$265
<input type="checkbox"/>	087AA3		Flip-Up	NC
<input type="checkbox"/>	087AA1	E0973	Adjustable Locking Flip-Up	\$265
<input type="checkbox"/>	087AA7	E0973	Length Adjust. Locking Flip-Up	\$275
<input type="checkbox"/>	087AM23		Desk Classic (10") (N/A w/T Post)	NC
<input type="checkbox"/>	087AM24		Full Classic (14") (N/A w/T Post)	NC
<input type="checkbox"/>	087AM9		Foam Short (N/A w/T Post)	NC
<input type="checkbox"/>	087AM10		Foam Long (N/A w/T Post)	NC

Armrest and Armpad - Height Adjustable

<input type="checkbox"/>	087AA11	E0973	Single-Post Height Adj. Std.	\$285
<input type="checkbox"/>	087AM23		Desk Classic	NC
<input type="checkbox"/>	087AM21		Desk Contour	NC
<input type="checkbox"/>	087AM24		Full Classic	NC
<input type="checkbox"/>	087AM22		Full Contour	NC
<input type="checkbox"/>	087AA29	E0973	Single-Post Height Adj. Low	\$285
<input type="checkbox"/>	087AM23		Desk Classic	NC
<input type="checkbox"/>	087AM21		Desk Contour	NC
<input type="checkbox"/>	087AM24		Full Classic	NC
<input type="checkbox"/>	087AM22		Full Contour	NC

Armrest Receiver for Height Adjustable Armrest

<input type="checkbox"/>	087AR17		Low	NC
<input type="checkbox"/>	087AR18		Std	NC

9. KEY OPTIONS

Anti-Tip

<input type="checkbox"/>	087AO2	E0971	Front Anti-Tip <i>(N/A with caster pin locks or transit option)</i>	\$150
<input type="checkbox"/>	087AT17	E0971	Rear Anti-Tip	\$150

Positioning Belt (w/clamps)

<input type="checkbox"/>	087A112	E0978	1" Dual Pull Side Squeeze Padded	\$85
<input type="checkbox"/>	087A117	E0978	Belt 2" Aircraft Buckle	\$110
<input type="checkbox"/>	087A118	E0978	Belt 2" Aircraft Buckle Padded	\$120
<input type="checkbox"/>	087A141	E0978	Belt 1.5" Auto Buckle	\$70
<input type="checkbox"/>	087A814	E0978	1" Comfort Fit APB5116	\$120

Upper Extremity Support Tray

<input type="checkbox"/>	087A29	E0950	X-Small <i>(Suggested 10"-12" chair width)</i>	\$255
<input type="checkbox"/>	087A30	E0950	Small <i>(Suggested 13"-14" chair width)</i>	\$255
<input type="checkbox"/>	087A31	E0950	Medium <i>(Suggested 15"-17" chair width)</i>	\$255
<input type="checkbox"/>	087A32	E0950	Large <i>(Suggested 18"-20" chair width)</i>	\$255

Spoke Guard

(N/A with 12", 16" and 18" rear wheels & Projections Handrims)

<input type="checkbox"/>	087A23	K0065	Black	\$115
<input type="checkbox"/>	087A303	K0065	Clear Zippie	\$115

Canopy (SunShade)

(Need 2" back post clearance to mount canopy hardware, may require next height based on seating; please note some interference may occur with some headrest configurations)

<input type="checkbox"/>	0878A06	K0108	Canopy (Sunshade) 10"-14" Width	\$275
<input type="checkbox"/>	0878A07	K0108	Canopy (Sunshade) 15"-20" Width	\$275

Back Pack (Kids Backpack included)

<input type="checkbox"/>	087A1		Utility Backpack - Black	\$75
<input type="checkbox"/>	087A2		Additional Kids Black Backpack	\$60

Miscellaneous

<input type="checkbox"/>	087A83		Tool Kit	\$55
<input type="checkbox"/>	087A8		Black Seat Pouch	\$50

10. COLOR

Standard Colors

<input type="checkbox"/>	087C140		Aztec Gold	NC
<input type="checkbox"/>	087C2		Black <i>(N/A as base w/Zebra)</i>	NC
<input type="checkbox"/>	087C141		Black Cherry	NC
<input type="checkbox"/>	087C10		Black Opal	NC
<input type="checkbox"/>	087C38		Blue Opal	NC
<input type="checkbox"/>	087C36		Candy Blue	NC
<input type="checkbox"/>	087C14		Candy Purple	NC
<input type="checkbox"/>	087C35		Candy Red	NC
<input type="checkbox"/>	087C142		Electric Blue	NC
<input type="checkbox"/>	087C143		Evergreen	NC
<input type="checkbox"/>	087C126		Glow	NC
<input type="checkbox"/>	087C144		Green Apple	NC
<input type="checkbox"/>	087C147		Hot Sparkle Pink	NC
<input type="checkbox"/>	087C148		Mauve Pink	NC
<input type="checkbox"/>	087C103		Rootbeer	NC
<input type="checkbox"/>	087C114		Sparkle Silver	NC
<input type="checkbox"/>	087C145		Sunrise Orange	NC
<input type="checkbox"/>	087C113		Titanium Color Paint	NC
<input type="checkbox"/>	087C8		Yellow	NC

Standard Matte Colors

<input type="checkbox"/>	087C116		Matte Black	NC
<input type="checkbox"/>	087C151		Matte Black Cherry	NC
<input type="checkbox"/>	087C152		Matte Purple	NC
<input type="checkbox"/>	087C150		Matte Electric Blue	NC
<input type="checkbox"/>	087C149		Matte Evergreen	NC

Custom Colors

<input type="checkbox"/>	087C43		Mossy Oak Camouflage	\$395
<input type="checkbox"/>	087C42		Stars and Stripes	\$395
<input type="checkbox"/>	087C108		Zebra <i>(Choose base color above: White Std, N/A black)</i>	\$395

Additional Options Through Built-4-Me

To inquire about any unique customization for Zippie products, contact: Phone: (800) 333-4000, Fax: (800) 333-9011



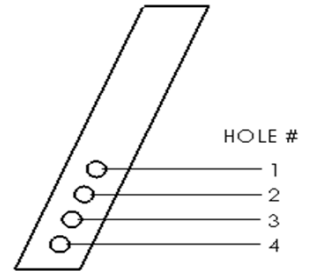
Commonly Requested Options Include:

- ✓ Dynamic Back
- ✓ Reclining Backrest
- ✓ Custom Anodizing
- ✓ Custom Paint
- ✓ O2 Holder with Transit
- ✓ IV Pole with Transit

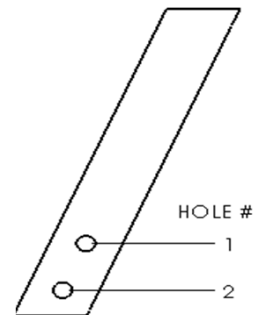
Zippie GS Seat Height Setup

Caster Fork Size	Caster Stem	Caster Fork Hole Position	Caster Size						
			3"	4"	5"	6"	8"x1"	8"x1.5"	8"x2"
5-1/4" (N/A with 8"x2" caster)	Std	1	N/A	N/A	14.0"	N/A	N/A	N/A	N/A
		2		14.0"	14.5"	15.0"			
		3	14.0"	14.5"	15.0"	15.5"			
		4	14.5"	15.0"	15.5"	16.0"	17.0"	16.5"	
	+3/4"	1	N/A	N/A	14.5"	N/A	N/A	N/A	N/A
		2		14.5"	15.0"	15.5"			
		3	14.5"	15.0"	15.5"	16.0"			
		4	15.0"	15.5"	16.0"	16.5"	17.5"	17.5"	
	+1-1/2"	1	N/A	N/A	15.5"	N/A	N/A	N/A	N/A
		2		15.5"	16.0"	16.5"			
		3	15.5"	16.0"	16.5"	17.0"			
		4	16.0"	16.5"	17.0"	17.5"	18.5"	18.0"	
6" (N/A with 8"x2" caster)	Std	1	N/A	N/A	14.5"	15.0"	N/A	N/A	N/A
		2		14.5"	15.0"	15.5"			
		3	14.5"	15.0"	15.5"	16.0"	17.0"	17.0"	
		4	15.0"	15.5"	16.0"	16.5"	17.5"	17.5"	
	+3/4"	1	N/A	N/A	15.5"	16.0"	N/A	N/A	N/A
		2		15.5"	16.0"	16.5"			
		3	15.5"	16.0"	16.5"	17.0"	18.0"	17.5"	
		4	16.0"	16.5"	17.0"	17.5"	18.5"	18.0"	
	+1-1/2"	1	N/A	N/A	16.0"	16.5"	N/A	N/A	N/A
		2		16.0"	16.5"	17.0"			
		3	16.0"	16.5"	17.0"	17.5"	18.5"	18.5"	
		4	16.5"	17.0"	17.5"	18.0"	19.0"	19.0"	
7" (N/A with 8"x2" caster)	Std	1	N/A	N/A	15.5"	16.0"	17.0"	17.0"	N/A
		2		15.5"	16.0"	16.5"	17.5"	17.5"	
		3	15.5"	16.0"	16.5"	17.0"	18.0"	18.0"	
		4	16.0"	16.5"	17.0"	17.5"	18.5"	18.5"	
	+3/4"	1	N/A	N/A	16.0"	16.5"	18.0"	17.5"	N/A
		2		16.0"	16.5"	17.0"	18.5"	18.0"	
		3	16.0"	16.5"	17.0"	17.5"	19.0"	18.5"	
		4	16.5"	17.0"	17.5"	18.0"	19.5"	19.0"	
	+1-1/2"	1	N/A	N/A	17.0"	17.5"	18.5"	18.5"	N/A
		2		17.0"	17.5"	18.0"	19.0"	19.0"	
		3	17.0"	17.5"	18.0"	18.5"	19.5"	19.5"	
		4	17.5"	18.0"	18.5"	19.0"	20.0"	20.0"	
8" Wide (Must use with 8"x2" caster)	Std	1	N/A						16.5"
		2	N/A						17.5"
	+3/4"	1	N/A						17.5"
		2	N/A						18.5"
	+1-1/2"	1	N/A						18.0"
		2	N/A						19.0"

5-1/4", 6" & 7" Fork



8" Wide Fork



Sunrise Medical (US) LLC
2842 Business Park Ave. · Fresno, CA 93727 · USA