



Zippie 2

January 2020

EIZ2

Date: _____	SUBMITTING FOR: <input type="checkbox"/> Quote <input type="checkbox"/> Order
Dealer Acct #: _____	
Dealer: _____	PO#: _____
Dealer Contact: _____	Ship To: _____
Dealer Address: _____	Attention: _____
Dealer City: _____ ST: _____ ZIP: _____	Address: _____
Dealer Phone: () _____ Fax: () _____	Address: _____
Confirm Via: <input type="checkbox"/> Fax <input type="checkbox"/> Email	Ship To City: _____ ST: _____ ZIP: _____
Mark For: _____	Ship To Phone: () _____ Fax: () _____

The HCPCS CODES herein are based on PDAC verification or interpretation of Medicare definitions and guidelines. Non-Medicare payers may accept alternative HCPCS CODES, including misc. codes to ensure access for their enrollees. The use of HCPCS CODES does not ensure coverage or payment.

✓	Option #	HCPCS	Definition	Price	✓	Option #	HCPCS	Definition	Price
1. FRAME									
<input type="checkbox"/>	022WM01	E1238	Zippie 2 - Transit Included	\$3,005	<input type="checkbox"/>	022WM02	E1238	Zippie 2 - Transit Optional	\$2,825
Note: HCPCS Codes shown as submitted. Some sizes fit other HCPC codes i.e. 15"-16" widths = K0005					Note: HCPCS Codes shown as submitted. Some sizes fit other HCPC codes i.e. 15"-16" widths = K0005				

2. TRANSIT SYSTEM (when Frame is ordered Transit Optional)									
<input type="checkbox"/>	022TO19	K0108	Transit Seating <i>(Req. Selection of Seat & Back)</i>	\$250	<input type="checkbox"/>	022TO16	K0108	Transit w/ Conv. Seating	\$250
<input type="checkbox"/>	022TO13	K0108	Transit w/o Seating	\$250	<input type="checkbox"/>	022TO17	K0108	Transit with Fit Seating	\$250
<input type="checkbox"/>					<input type="checkbox"/>	022TO7		Transit Omit <i>(Only with Transit Included Frame)</i>	-\$150

3. FRAME COLOR									
Standard Colors									
<input type="checkbox"/>	022C140		Aztec Gold	NC	<input type="checkbox"/>	022C103		Rootbeer	NC
<input type="checkbox"/>	022C2		Black <i>(N/A as base w/ Zebra)</i>	NC	<input type="checkbox"/>	022C114		Sparkle Silver	NC
<input type="checkbox"/>	022C141		Black Cherry	NC	<input type="checkbox"/>	022C145		Sunrise Orange	NC
<input type="checkbox"/>	022C10		Black Opal	NC	<input type="checkbox"/>	022C113		Titanium Color Paint	NC
<input type="checkbox"/>	022C38		Blue Opal	NC	<input type="checkbox"/>	022C8		Yellow	NC
<input type="checkbox"/>	022C36		Candy Blue	NC	Standard Matte Colors				
<input type="checkbox"/>	022C14		Candy Purple	NC	<input type="checkbox"/>	022C116		Matte Black	NC
<input type="checkbox"/>	022C35		Candy Red	NC	<input type="checkbox"/>	022C151		Matte Black Cherry	NC
<input type="checkbox"/>	022C142		Electric Blue	NC	<input type="checkbox"/>	022C152		Matte Purple	NC
<input type="checkbox"/>	022C143		Evergreen	NC	<input type="checkbox"/>	022C150		Matte Electric Blue	NC
<input type="checkbox"/>	022C126		Glow	NC	<input type="checkbox"/>	022C149		Matte Evergreen	NC
<input type="checkbox"/>	022C144		Green Apple	NC	Custom Colors				
<input type="checkbox"/>	022C147		Hot Sparkle Pink	NC	<input type="checkbox"/>	022C43		Mossy Oak Camouflage	\$395
<input type="checkbox"/>	022C148		Mauve Pink	NC	<input type="checkbox"/>	022C42		Stars and Stripes	\$395
					<input type="checkbox"/>	022C108		Zebra <i>(Choose base color above: White Standard, N/A black)</i>	\$395

4. FRAME WIDTH									
<input type="checkbox"/>	022W3		12"	NC	<input type="checkbox"/>	022W6		15"	NC
<input type="checkbox"/>	022W4		13"	NC	<input type="checkbox"/>	022W7		16"	NC
<input type="checkbox"/>	022W5		14"	STD					

5. FRAME DEPTH AND BACK POST LOCATION

<input type="checkbox"/>	022FL1	Kids (12" - 16")	NC
<input type="checkbox"/>	022FD3	12"	NC
<input type="checkbox"/>	022FD4	13"	NC
<input type="checkbox"/>	022FD5	14"	STD
<input type="checkbox"/>	022FD6	15"	NC
<input type="checkbox"/>	022FD7	16"	NC

<input type="checkbox"/>	022FL9	Regular (12" - 18")	NC
<input type="checkbox"/>	022FD3	12"	NC
<input type="checkbox"/>	022FD4	13"	NC
<input type="checkbox"/>	022FD5	14"	STD
<input type="checkbox"/>	022FD6	15"	NC
<input type="checkbox"/>	022FD7	16"	NC
<input type="checkbox"/>	022FD8	17"	NC
<input type="checkbox"/>	022FD9	18"	NC

6. SEATING

Seats

<input type="checkbox"/>	022ST16	E2231	Solid Seat/Back	\$200
<input type="checkbox"/>	022B3		Short (12")	N/C
<input type="checkbox"/>	022B7		Medium (14")	N/C
<input type="checkbox"/>	022B11		Tall (16")	N/C
<input type="checkbox"/>	022ST27		Omit Solid Seat/Back	NC

JAY Cushions (Optional)

To order any JAY cushions on-chair, please see the JAY price list. Cushion name or part number must be filled out with desired width and depth

<input type="checkbox"/>	022JC20	JAY Bundled Cushion	Price List
		Cushion Name or Part #	
		Width (in.): Depth (in.):	

7. STROLLER HANDLE BACK POSTS FOR ADAPTIVE SEATING - BACK RESTS

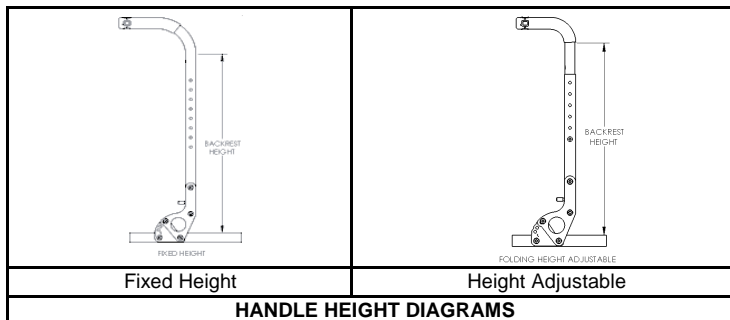
Fixed Height

<input type="checkbox"/>	022BP9	Low (19" Ht)	NC
<input type="checkbox"/>	022BP10	Medium (22" Ht)	NC
<input type="checkbox"/>	022BP11	Tall (25" Ht)	NC
<input type="checkbox"/>	022BP13	Removable Extension	\$85
<input type="checkbox"/>	022RG1	Folding Adjustable Rigidizer	\$175

Height Adjustable

Folding Frame with Push Handle

<input type="checkbox"/>	022B180	Std. (17"-23" Height.)	NC
<input type="checkbox"/>	022BP47	Swing Away Handle	\$55
<input type="checkbox"/>	022B181	Tall (20"-26" Height.)	NC
<input type="checkbox"/>	022BP47	Swing Away Handle	\$55



HANDLE HEIGHT DIAGRAMS

JAY Backs (Optional)

Ordering JAY backs on-chair, See the JAY Price List. Requires Part #

<input type="checkbox"/>	022JB02	JAY Bundled Backrest	Price List
		Backrest Name or Part #	
		Width (in.): Height (in.):	

8. ARMRESTS

Armrest and Armpad - Height Adjustable

<input type="checkbox"/>	022AA12	E0973	T-Post Regular w/ Foam	\$265
<input type="checkbox"/>	022AA13	E0973	T-Post Tall w/ Foam	\$265
<input type="checkbox"/>	022AA3		Flip-Up	NC
<input type="checkbox"/>	022AA1	E0973	Adjustable Locking Flip-Up	\$265
<input type="checkbox"/>	022AA7	E0973	Length Adjust. Locking Flip-Up	\$275
<input type="checkbox"/>	022AM23		Desk Length (10")	NC
<input type="checkbox"/>	022AM24		Full Length (14")	NC
<input type="checkbox"/>	022AM9		Foam Short (N/A w/ T-Post)	NC
<input type="checkbox"/>	022AM10		Foam Long (N/A w/ T-Post)	NC

Armrest - Height Adjustable

<input type="checkbox"/>	022AA11	E0973	Single-Post Height Adj. Std.	\$285
<input type="checkbox"/>	022AM23		Desk Classic	NC
<input type="checkbox"/>	022AM21		Desk Contour (N/A w/ 12"-13" Depth)	NC
<input type="checkbox"/>	022AM24		Full Classic	NC
<input type="checkbox"/>	022AM22		Full Contour (N/A w/ 12"-13" Depth)	NC
<input type="checkbox"/>	022AA29	E0973	Single-Post Height Adj. Low	\$285
<input type="checkbox"/>	022AM23		Desk Classic	NC
<input type="checkbox"/>	022AM21		Desk Contour (N/A w/ 12"-13" Depth)	NC
<input type="checkbox"/>	022AM24		Full Classic	NC
<input type="checkbox"/>	022AM22		Full Contour (N/A w/ 12"-13" Depth)	NC

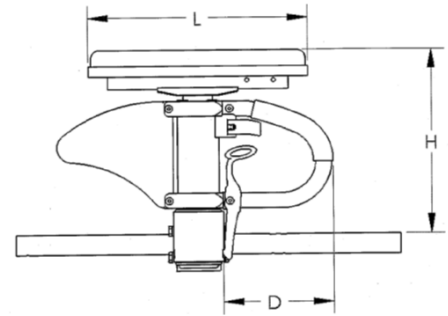
Armrest Receiver for Height Adjustable Armrest

<input type="checkbox"/>	022AR17	Low (N/A w/ 20" rear wheels)	NC
<input type="checkbox"/>	022AR18	Std	NC

8. ARMRESTS (Cont.)

Armrest Size	Transfer Tube Length (D)	Receiver	CLASSIC PAD		
			Height Range (H)	Pad Length (L)	
				Desk	Full
STD	8"	STD	10-1/4"	14"	10-1/4" to 15-3/4"
		LOW			
LOW	5-1/4"	STD	10-1/4"	14"	9" to 13"
		LOW			

Armrest Size	Transfer Tube Length (D)	Receiver	CONTOUR PAD		
			Height Range (H)	Pad Length (L)	
				Desk	Full
STD	8"	STD	10-1/2"	14-1/4"	10" to 15"
		LOW			
LOW	5-1/4"	STD	10-1/2"	14-1/4"	8-1/2" to 12-1/2"
		LOW			



Armrest Matrix for Single Post

9. FOOTRESTS

Hanger Mounted Footrest (Footplates Mount to Hanger Tubing)

Hanger Type

<input type="checkbox"/>	022H89	70° Swing In/Out Front Mount	NC
<input type="checkbox"/>	022H90	80° Swing In/Out Front Mount	NC
<input type="checkbox"/>	022H91	90° Swing In/Out Front Mount	NC
<input type="checkbox"/>	022H9	70° HD Front Mount Lift-Off	NC
<input type="checkbox"/>	022H10	80° HD Front Mount Lift-Off	NC
<input type="checkbox"/>	022H11	90° HD Front Mount Lift-Off	NC
<input type="checkbox"/>	022H14	E0990 90° Elevating	\$315

Extensions (may interfere with some seat heights & casters)

<input type="checkbox"/>	022E23	2" (not mounted)	\$55
<input type="checkbox"/>	022E24	4" (not mounted)	\$55

Footplate

<input type="checkbox"/>	022F9	K0040 Kids Angle Adjustable (N/A w/ 17"-18" widths)	\$185
<input type="checkbox"/>	022F8	K0040 Adult Angle Adj. (Available with 10"-18" widths)	\$185
<input type="checkbox"/>	022F62	K0040 Footboard (Available with 10"-16" widths)	\$190

Ext. Tube Mounted Footrests (Footplates Mount to Ext. Tube)

Hanger Type

<input type="checkbox"/>	022H85	60° Swing In/Out	NC
<input type="checkbox"/>	022H86	70° Swing In/Out	STD
<input type="checkbox"/>	022H116	80° Swing In/Out (N/A with 6" or 8" Casters)	STD
<input type="checkbox"/>	022H24	K0053 Articulating (N/A w/ 12"-13" composite footplate)	\$370
<input type="checkbox"/>	022H14	E0990 Elevating (N/A w/ composite or platform footplates or < 16" width)	\$315

Extensions

<input type="checkbox"/>	022E1	Short (11.5" - 14")	NC
<input type="checkbox"/>	022E2	Med (14" - 17") (N/A w/ ELR)	NC
<input type="checkbox"/>	022E5	Long (17" - 19")	NC
<input type="checkbox"/>	022E16	High Mount	\$75

Footplate

<input type="checkbox"/>	022F1	E0951 Composite (N/A in 10", 11" or 12" width)	STD
<input type="checkbox"/>	022F3	K0040 Aluminum Angle Adjustable	\$185
<input type="checkbox"/>	022F4	K0040 Kids Angle Adjustable (N/A w/ 17"-18" width)	\$185
<input type="checkbox"/>	022F5	Aluminum (Only available with elevating leg rests 14"-18")	NC
<input type="checkbox"/>	022F48	K0040 Platform Flip-Up (Available on 60°, 70°, and 80° ext. mount hangers only)	\$190

Footrest Hanger Options

<input type="checkbox"/>	022IG2	Neoprene Covers (Avail. on 60° / 70° / 80° ext. mount hangers only)	\$90
<input type="checkbox"/>	022A54	K0038 Extra Single Leg Strap	\$30
<input type="checkbox"/>	022A110	E0952 Toe Loop (Only avail. w/ adult angle adjustable footplates)	\$40
<input type="checkbox"/>	022HL1	E0951 Heel Loops	\$40
<input type="checkbox"/>	022H32	Omit Hanger	-\$15
<input type="checkbox"/>	022F7	Omit Footplate & Ext. Tube	-\$15
<input type="checkbox"/>	022HL4	Omit Heel Loop	NC
<input type="checkbox"/>	022HL6	Omit Single Leg Strap	NC

10. CASTERS

Caster Wheel				
<input type="checkbox"/>	022CW30		3" Micro Light Up	\$65
<input type="checkbox"/>	022CW31		4" Micro Light Up	\$70
<input type="checkbox"/>	022CW3		4" Polyurethane	NC
<input type="checkbox"/>	022CW51		5" Micro Light Up	\$85
<input type="checkbox"/>	022CW5		5" Low-Profile Polyurethane	STD
<input type="checkbox"/>	022CW7	E2219	5" x 1.5" Semi-Pneumatic	\$85
<input type="checkbox"/>	022CW33	E2214 E2215	6" Pneumatic	\$75
<input type="checkbox"/>	022CW34		6" Polyurethane	NC
<input type="checkbox"/>	022CW35	E2219	6" x 1.5" Semi-Pneumatic	\$85
<input type="checkbox"/>	022CW21	E2214 E2215	8" Pneumatic (N/A w/ 90° Hangers or kids frame length)	\$85
<input type="checkbox"/>	022CW32		8" Polyurethane (N/A w/ 90° Hangers or kids frame length)	NC
<input type="checkbox"/>	022CW39	E2219	8" x 1.5" Semi-Pneumatic (N/A w/ 90° Hangers or kids frame length)	\$85
<input type="checkbox"/>	022CW36	E2214 E2215	8" x 2" Pneumatic (N/A w/ 90° Hangers or kids frame length)	\$145
<input type="checkbox"/>	022CW37	E2214 K0108	8" x 2" Pneumatic Inserts (N/A w/ 90° Hangers or kids frame length)	\$225

Caster Options				
<input type="checkbox"/>	022CS5		3/4" Longer Fork Stem Bolt	NC
<input type="checkbox"/>	022CS9		1-1/2" Longer Fork Stem Bolt	NC
<input type="checkbox"/>	022CS3	K0073	Caster Pin Locks (N/A with 8" x 2" or Transit Opt.)	\$195
<input type="checkbox"/>	022CW38		Omit Caster, Wheels & Tires	NC

Front Seat to Floor Height Guide (Reference Only)							
Rear Wheel Size	CASTER SIZE						
	3"	4"	5"	6"	8"x1"	8"x1.5"	8"x2"
12"	16.5"	16.5"	16.5"	16.5"	N/A	N/A	N/A
	17.0"	17.0"	17.0"	17.0"			
12" Low Poly	15.5"	15.5"	15.5"	15.5"	N/A	N/A	N/A
	16.0"	16.0"	16.0"	16.0"			
16"	15.5"	15.5"	15.5"	15.5"	N/A	N/A	N/A
	16.0"	16.0"	16.0"	16.0"			
18"	15.0"	15.0"	15.0"	N/A	N/A	N/A	N/A
	15.5"	15.5"	15.5"				
	16.0"	16.0"	16.0"				
	16.5"	16.5"	16.5"				
20"	15.0"	15.0"	15.0"	N/A	N/A	N/A	N/A
	15.5"	15.5"	15.5"				
	16.0"	16.0"	16.0"				
	16.5"	16.5"	16.5"				
	17.0"	17.0"	17.0"				
	17.5"	17.5"	17.5"				
22"	18.0"	18.0"	18.0"	18.0"	18.0"	18.0"	18.0"
	18.5"	18.5"	18.5"	18.5"			
	15.5"	15.5"	15.5"	N/A	N/A	N/A	N/A
	16.0"	16.0"	16.0"				
	16.5"	16.5"	16.5"				
	17.0"	17.0"	17.0"				
	17.5"	17.5"	17.5"				
18.0"	18.0"	18.0"					
18.5"	18.5"	18.5"					
24"	19.0"	19.0"	19.0"	19.0"	19.0"	19.0"	19.0"
	16.0"	16.0"	16.0"	16.0"	N/A	N/A	N/A
	16.5"	16.5"	16.5"	16.5"			
	17.0"	17.0"	17.0"	17.0"			
	17.5"	17.5"	17.5"	17.5"			
	18.0"	18.0"	18.0"	18.0"			
	18.5"	18.5"	18.5"	18.5"			
19.0"	19.0"	19.0"	19.0"				
	N/A	19.5"	19.5"	19.5"	19.5"	19.5"	19.5"
	N/A	20.0"	20.0"	20.0"	20.0"	20.0"	N/A

Based on rear seat to floor height up to 1.5" lower than front seat to floor height. To achieve desired seat height see matrices on last page.

11. AXLES AND WHEELS

Axle Plate			
<input type="checkbox"/>	022AL2		Standard NC
<input type="checkbox"/>	022AL81	E0959	Amputee \$175
<input type="checkbox"/>	022AL16	E0958	One Arm Drive (Available with 13"-16" widths only) (N/A w/ amputee axle plate, 12", 16" or 18" wheels.) \$900
<input type="checkbox"/>	022OA2		Standard Handrim NC
<input type="checkbox"/>	022HM1		Right NC
<input type="checkbox"/>	022HM2		Left NC
<input type="checkbox"/>	022OA1		Small Handrim NC (N/A w/ 20" rear wheels)
<input type="checkbox"/>	022HM1		Right NC
<input type="checkbox"/>	022HM2		Left NC

Axle			
<input type="checkbox"/>	022AX1		Quick Release NC
<input type="checkbox"/>	022AX11		Quad Quick Release (N/A with Lite Spokes) \$125

Rear Wheel Size			
<input type="checkbox"/>	022RW48		12" Mag (N/A with handrims) \$55
<input type="checkbox"/>	022RW14		16" Mag (N/A with handrims) \$55

Rear Wheel Size - Cont			
<input type="checkbox"/>	022RW3		20" Mag NC
<input type="checkbox"/>	022RW8		22" Mag STD
<input type="checkbox"/>	022RW1		24" Mag NC
<input type="checkbox"/>	022RW74		20" Lite Spoke \$200
<input type="checkbox"/>	022RW75		22" Lite Spoke \$200
<input type="checkbox"/>	022RW54		24" Lite Spoke \$200
<input type="checkbox"/>	022RW25		Omit Rear Wheel & Axle -\$55

Rear Wheel Tire			
<input type="checkbox"/>	022RT1		Pneumatic NC
<input type="checkbox"/>	022RT2	E2211 E2213	Pneumatic Airless Insert \$85
<input type="checkbox"/>	022RT3		Full Polyurethane (N/A w/ 12", 16", and 18" rear wheels) NC
<input type="checkbox"/>	022RT4		Low Polyurethane (Only available with 12" and 24" wheels) NC
<input type="checkbox"/>	022RT6	E2211 E2212	High Pressure Clincher (Avail. with 24" spoke wheels, N/A with mag wheels) \$95

Handrim			
<input type="checkbox"/>	022HR1		Aluminum Anodized NC
<input type="checkbox"/>	022HR4		Plastic Coated \$110
<input type="checkbox"/>	022HR7		Omit (N/A with wheel/axle credit) NC

Projections (N/A on Plastic Coated)			
<i>Only available with 24" wheels</i>			
<input type="checkbox"/>	022HR8		8 Oblique \$325

Hub Lock			
<i>*Only available with 12" or 16" wheels. N/A with One Arm Drive.</i>			
<input type="checkbox"/>	022LK01		12" Hub Lock \$100
<input type="checkbox"/>	022LK02		16" Hub Lock \$100

Wheel Lock			
<i>N/A with Hub Lock</i>			
<input type="checkbox"/>	022WL1		High Mount Push (N/A w/ kids frame and 24" rear wheels) NC
<input type="checkbox"/>	022WL2		High Mount Pull (N/A w/ kids frame and 24" rear wheels) NC
<input type="checkbox"/>	022WL25		Foot Lock (May limit folding width & N/A w/ 24" rear wheels and kids frame.) NC
<input type="checkbox"/>	022WL10		Omit NC

Extension Handle			
<input type="checkbox"/>	022EH1	E0961	6" Pair \$75

Anti-Tip			
<input type="checkbox"/>	022AO1	E0971	Front Anti-Tip (N/A with caster pin locks or transit opt.) \$150
<input type="checkbox"/>	022AT1	E0971	Rear Anti-Tip \$150

12. ACCESSORIES

Back Pack (Kids Backpack included)			
<input type="checkbox"/>	022A1		Utility Backpack - Black \$75
<input type="checkbox"/>	022A2		Additional Kids Black Backpack \$60

Seat Pouch			
<input type="checkbox"/>	022A8		Black \$50

Miscellaneous			
<input type="checkbox"/>	022A82		Caddy \$50
<input type="checkbox"/>	022A83		Tool Kit \$55
<input type="checkbox"/>	022A49	E2207	Crutch Holder-Assm. Fold Chair \$195

Spoke Guard			
<i>(N/A with 12", 16" and 18" rear wheels or projections)</i>			
<input type="checkbox"/>	022A23	K0065	Black \$115
<input type="checkbox"/>	022A303	K0065	Clear Zippie \$115

Upper Extremity Support Tray			
<input type="checkbox"/>	022A29	E0950	X-Small (Suggested 10"-12" chair width) \$255
<input type="checkbox"/>	022A30	E0950	Small (Suggested 13"-14" chair width) \$255
<input type="checkbox"/>	022A31	E0950	Medium (Suggested 15"-17" chair width) \$255

12. ACCESSORIES Cont.

Positioning Belt (w/ clamps)

<input type="checkbox"/>	022A112	E0978	1" Dual Pull Side Squeeze Padded	\$85
<input type="checkbox"/>	022A117	E0978	Belt 2" Aircraft Buckle	\$110
<input type="checkbox"/>	022A118	E0978	Belt 2" Aircraft Buckle Padded	\$120
<input type="checkbox"/>	022A141	E0978	Belt 1.5" Auto Buckle w/ clamps	\$70
<input type="checkbox"/>	022A814	E0978	1" Comfort Fit APB5116	\$120

Side Guard

(N/A with height adjustable armrests and T-Posts)

<input type="checkbox"/>	022SG33	K0108	Plastic Std.	\$140
<input type="checkbox"/>	022SG29	K0108	Plastic Low	\$140

Canopy (SunShade)

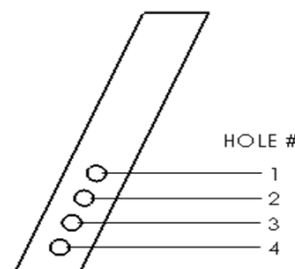
(Need 2" back post clearance to mount canopy hardware, may require next height based on seating; please note some interference may occur with some headrest configurations)

<input type="checkbox"/>	0228A06	K0108	Canopy (Sunshade) 10"-14" Width	\$275
<input type="checkbox"/>	0228A07	K0108	Canopy (Sunshade) 15"-20" Width	\$275

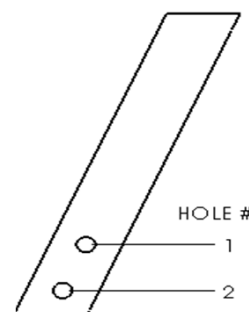
Zippie 2 Seat Height Setup

Caster Fork Size	Caster Stem	Caster Fork Hole Position	Caster Size						
			3"	4"	5"	6"	8"x1"	8"x1.5"	8"x2"
5-1/4" (N/A with 8"x2" caster)	Std	1	N/A	N/A	15.0"	N/A	N/A	N/A	N/A
		2	N/A	15.0"	15.5"	16.0"	N/A	N/A	N/A
		3	15.0"	15.5"	16.0"	16.5"	N/A	N/A	N/A
		4	15.5"	16.0"	16.5"	17.0"	18.0"	18.0"	N/A
	+3/4"	1	N/A	N/A	16.0"	16.5"	N/A	N/A	N/A
		2	N/A	16.0"	16.5"	17.0"	N/A	N/A	N/A
		3	16.0"	16.5"	17.0"	17.5"	N/A	N/A	N/A
		4	16.5"	17.0"	17.5"	18.0"	19.0"	18.5"	N/A
	+1-1/2"	1	N/A	N/A	16.5"	17.0"	N/A	N/A	N/A
		2	N/A	16.5"	17.0"	17.5"	N/A	N/A	N/A
		3	16.5"	17.0"	17.5"	18.0"	N/A	N/A	N/A
		4	17.0"	17.5"	18.0"	18.5"	19.5"	19.5"	N/A
6" (N/A with 8"x2" caster)	Std	1	N/A	N/A	16.0"	16.5"	N/A	N/A	N/A
		2	N/A	16.0"	16.5"	17.0"	18.0"	17.5"	N/A
		3	16.0"	16.5"	17.0"	17.5"	18.5"	18.0"	N/A
		4	16.5"	17.0"	17.5"	18.0"	19.0"	18.5"	N/A
	+3/4"	1	N/A	N/A	16.5"	17.0"	N/A	N/A	N/A
		2	N/A	16.5"	17.0"	17.5"	18.5"	18.5"	N/A
		3	16.5"	17.0"	17.5"	18.0"	19.0"	19.0"	N/A
		4	17.0"	17.5"	18.0"	18.5"	19.5"	19.5"	N/A
	+1-1/2"	1	N/A	N/A	17.5"	18.0"	N/A	N/A	N/A
		2	N/A	17.5"	18.0"	18.5"	19.5"	19.0"	N/A
		3	17.5"	18.0"	18.5"	19.0"	20.0"	19.5"	N/A
		4	18.0"	18.5"	19.0"	19.5"	20.5"	20.0"	N/A
7" (N/A with 8"x2" caster)	Std	1	N/A	N/A	17.0"	17.5"	18.5"	18.0"	N/A
		2	N/A	17.0"	17.5"	18.0"	19.0"	18.5"	N/A
		3	17.0"	17.5"	18.0"	18.5"	19.5"	19.0"	N/A
		4	17.5"	18.0"	18.5"	19.0"	20.5"	19.5"	N/A
	+3/4"	1	N/A	N/A	17.5"	18.0"	19.0"	19.0"	N/A
		2	N/A	17.5"	18.0"	18.5"	19.5"	19.5"	N/A
		3	17.5"	18.0"	18.5"	19.0"	20.0"	20.0"	N/A
		4	18.0"	18.5"	19.0"	19.5"	20.5"	20.5"	N/A
	+1-1/2"	1	N/A	N/A	18.5"	19.0"	20.0"	19.5"	N/A
		2	N/A	18.5"	19.0"	19.5"	20.5"	20.0"	N/A
		3	18.5"	19.0"	19.5"	20.0"	21.0"	20.5"	N/A
		4	19.0"	19.5"	20.0"	20.5"	21.5"	21.0"	N/A
8" Wide (Must use with 8"x2" caster)	Std	1	N/A						18.0"
		2	N/A						19.0"
	+3/4"	1	N/A						18.5"
		2	N/A						19.5"
	+1-1/2"	1	N/A						19.5"
		2	N/A						20.5"

5-1/4", 6" & 7" Fork



8" Wide Fork



Sunrise Medical (US) LLC
2842 Business Park Ave. · Fresno, CA 93727 · USA

Customer Service: 800-333-4000 Fax: 800-300-7502 Email: orders@sunmed.com Web: www.sunrisemedical.com

©1/2020 MK-100008 REV E