



Zippie TS

January 2020

EIZ1A

Date: _____	SUBMITTING FOR: <input type="checkbox"/> Quote <input type="checkbox"/> Order
Dealer Acct #: _____	
Dealer: _____	PO#: _____
Dealer Contact: _____	Ship To: _____
Dealer Address: _____	Attention: _____
Dealer City: _____ ST: _____ ZIP: _____	Address: _____
Dealer Phone: () _____ Fax: () _____	Address: _____
Confirm Via: <input type="checkbox"/> Fax <input type="checkbox"/> Email	Ship To City: _____ ST: _____ ZIP: _____
Mark For: _____	Ship To Phone: () _____ Fax: () _____

The HCPCS CODES herein are based on PDAC verification or interpretation of Medicare definitions and guidelines. Non-Medicare payers may accept alternative HCPCS CODES, including misc. codes to ensure access for their enrollees. The use of HCPCS CODES does not ensure coverage or payment.

✓	Option #	HCPCS	Definition	Price	✓	Option #	HCPCS	Definition	Price
---	----------	-------	------------	-------	---	----------	-------	------------	-------

ZIPPIE TS

1. FRAME

All Zippie TS models grow in width and depth.

Base Models

<input type="checkbox"/>	187WM63	E1234	Folding Growing Zippie TS <i>Without Seating Transit Included (includes True Fit)</i>	\$2,995
<input type="checkbox"/>	187WM65	E1234	Folding Growing Zippie TS <i>Without Seating Transit Optional (includes True Fit)</i>	\$2,850
<input type="checkbox"/>	187WM64	E1233	Rigid Growing Zippie TS <i>Without Seating Transit Included (includes True Fit)</i>	\$2,875
<input type="checkbox"/>	187WM66	E1233	Rigid Growing Zippie TS <i>Without Seating Transit Optional (includes True Fit)</i>	\$2,725
<input type="checkbox"/>	187F02		Additional Rigid Strut Tube	NC

Note: HCPCS Codes shown as submitted. Some sizes fit other HCPCS codes i.e. 15"-18" widths = E1161

Transit System (For use when Transit Optional is selected)

Tie Down Requires: Solid Seat and Solid Back or Growing Seat Pan and JAY Fit or Conventional Seat and Back or Growing Seat Pan and Solid Back or JAY Fit and/or Conventional Seat & Back

<input type="checkbox"/>	187TO12	K0108	Transit Optional Seating <i>(Req. Selection of Seat & Back)</i>	\$250
<input type="checkbox"/>	187TO11	K0108	Transit Optional w/o Seating	\$250
<input type="checkbox"/>	187TO20		Transit Omit	N/C

Tilt Options

<input type="checkbox"/>	187TT12		Dual Trigger Cable Release	NC
<input type="checkbox"/>	187VZ01		Crisscross Cables <i>(cables are longer individually)</i>	NC
<input type="checkbox"/>	187VZ02		Non-crisscross	Std
<input type="checkbox"/>	187TT8		Cable Foot Release <i>(may limit folding width)</i>	NC

2. SIZE/SEATING

Frame Width

<input type="checkbox"/>	187W25		Small Cross Brace	NC
<input type="checkbox"/>	187S1		10"	NC
<input type="checkbox"/>	187S2		11"	NC
<input type="checkbox"/>	187S3		12"	NC
<input type="checkbox"/>	187W26		Medium Cross Brace	NC
<input type="checkbox"/>	187S3		12"	NC
<input type="checkbox"/>	187S4		13"	NC
<input type="checkbox"/>	187S5		14"	NC
<input type="checkbox"/>	187W27		Large Cross Brace	NC
<input type="checkbox"/>	187S5		14"	NC
<input type="checkbox"/>	187S6		15"	NC
<input type="checkbox"/>	187S7		16"	NC
<input type="checkbox"/>	187W28		X-Large Cross Brace	NC
<input type="checkbox"/>	187S7		16"	NC
<input type="checkbox"/>	187S8		17"	NC
<input type="checkbox"/>	187S9		18"	NC

Frame Depth and Back Post Location

<input type="checkbox"/>	187FD4		13" Frame Depth	NC
<input type="checkbox"/>	187FD5		14" Frame Depth	NC
<input type="checkbox"/>	187FD6		15" Frame Depth	NC
<input type="checkbox"/>	187FD7		16" Frame Depth	NC
<input type="checkbox"/>	187FD8		17" Frame Depth	NC
<input type="checkbox"/>	187FD9		18" Frame Depth	NC
<input type="checkbox"/>	187FD10		19" Frame Depth <i>(uses rear frame extension plug)</i>	NC
<input type="checkbox"/>	187FD36		20" Frame Depth <i>(uses rear frame extension plug)</i>	NC

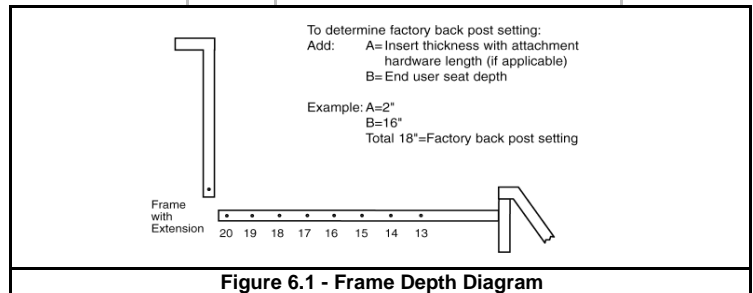


Figure 6.1 - Frame Depth Diagram

Units are in inches.

2. SIZE/SEATING CONT.

Seats				
<input type="checkbox"/>	187ST55	E2231	Solid Seat <i>(Requires Solid Back, N/A w/ 10"-13" Wide x 19"-20" Frame Depth or 17"-18" Wide x 13"-17" Frame Depth)</i>	\$200
<input type="checkbox"/>	187ST14	E2231	Growing Seat Pan Depth (Fig. 7.1)	\$200
<input type="checkbox"/>	187ST5		Omit Seat	Std

JAY Cushions (Optional)

To order any JAY cushions on-chair, please see the JAY price list. Cushion name or part number must be filled out with desired width and depth.

JAY Bundled Cushion			
<input type="checkbox"/>	187JC20	Name / Part #	Price List
		Width (in.):	Depth (in.)

REFERENCE ONLY

Seat Depth Pan Size	Depth Range	
	Minimum	Maximum
Medium 13"-14"	11-3/4"	16-1/4"
Long 15"-17"	13-3/4"	18-1/4"
X-Long 18"-20"	15-3/4"	20-1/4"

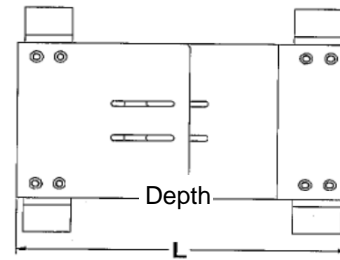


Figure 7.1 - Frame Depth Growth Range Matrix

3. CASTERS

Caster Wheel

Some interference may occur when choosing 8" Caster w/ Z-Finity

<input type="checkbox"/>	187CW30		3" Micro Light Up	\$65
<input type="checkbox"/>	187CW31		4" Micro Light Up	\$70
<input type="checkbox"/>	187CW51		5" Micro Light Up	\$85
<input type="checkbox"/>	187CW5		5" Low-Profile Polyurethane	STD
<input type="checkbox"/>	187CW7	E2219	5" x 1.5" Semi-Pneumatic	\$85
<input type="checkbox"/>	187CW33	E2214 E2215	6" Pneumatic	\$75
<input type="checkbox"/>	187CW34		6" Polyurethane	NC
<input type="checkbox"/>	187CW35	E2219	6" x 1.5" Semi-Pneumatic	\$85
<input type="checkbox"/>	187CW21	E2214 E2215	8" Pneumatic	\$85
<input type="checkbox"/>	187CW32		8" Polyurethane	NC
<input type="checkbox"/>	187CW39	E2219	8" x 1.5" Semi-Pneumatic	\$85
<input type="checkbox"/>	187CW36	E2214 E2215	8" x 2" Pneumatic	\$145
<input type="checkbox"/>	187CW37	E2214 K0108	8" x 2" Pneumatic w/ Airless Insert	\$225

Caster Options

<input type="checkbox"/>	187CS3	K0073	Caster Pin Locks <i>(N/A with 8" x 2" and 8" x 1.5" casters)</i>	\$195
--------------------------	--------	-------	---	-------

CASTER SIZE

Rear Wheel Size	CASTER SIZE							
	<input type="checkbox"/> 3"	<input type="checkbox"/> 4"	<input type="checkbox"/> 5"	<input type="checkbox"/> 6"	<input type="checkbox"/> 8"x1"	<input type="checkbox"/> 8"x1.5"	<input type="checkbox"/> 8"x2"	
<input type="checkbox"/> 12"	<input type="checkbox"/> 17.0"	<input type="checkbox"/> 16.5"	<input type="checkbox"/> 16.5"	<input type="checkbox"/> 17.0"	N/A	N/A	N/A	
	<input type="checkbox"/> 17.5"	<input type="checkbox"/> 17.0"	<input type="checkbox"/> 17.0"	<input type="checkbox"/> 17.5"	N/A	N/A	N/A	
<input type="checkbox"/> 12" Low Poly	<input type="checkbox"/> 16.0"	<input type="checkbox"/> 16.0"	<input type="checkbox"/> 16.0"	<input type="checkbox"/> 16.5"	N/A	N/A	N/A	
	<input type="checkbox"/> 16.5"	<input type="checkbox"/> 16.5"	<input type="checkbox"/> 16.5"	<input type="checkbox"/> 16.5"	N/A	N/A	N/A	
<input type="checkbox"/> 16"	<input type="checkbox"/> 15.5"	<input type="checkbox"/> 15.5"	<input type="checkbox"/> 15.5"	N/A	N/A	N/A	N/A	
	<input type="checkbox"/> 18.0"	<input type="checkbox"/> 18.0"	<input type="checkbox"/> 18.0"	<input type="checkbox"/> 18.0"	<input type="checkbox"/> 18.5"	<input type="checkbox"/> 18.0"	<input type="checkbox"/> 18.5"	
	<input type="checkbox"/> 18.5"	<input type="checkbox"/> 18.5"	<input type="checkbox"/> 18.5"	<input type="checkbox"/> 18.5"	<input type="checkbox"/> 19.0"	<input type="checkbox"/> 18.5"	N/A	
<input type="checkbox"/> 18"	<input type="checkbox"/> 15.5"	<input type="checkbox"/> 15.5"	<input type="checkbox"/> 15.5"	N/A	N/A	N/A	N/A	
	<input type="checkbox"/> 16.0"	<input type="checkbox"/> 16.0"	<input type="checkbox"/> 16.0"	<input type="checkbox"/> 16.5"	N/A	N/A	N/A	
	<input type="checkbox"/> 16.5"	<input type="checkbox"/> 16.5"	<input type="checkbox"/> 16.5"	<input type="checkbox"/> 16.5"	N/A	N/A	N/A	
	N/A	N/A	<input type="checkbox"/> 17.0"	N/A	N/A	N/A	N/A	
<input type="checkbox"/> 20"	<input type="checkbox"/> 15.5"	<input type="checkbox"/> 15.5"	<input type="checkbox"/> 15.5"	N/A	N/A	N/A	N/A	
	<input type="checkbox"/> 16.0"	<input type="checkbox"/> 16.0"	<input type="checkbox"/> 16.0"	<input type="checkbox"/> 16.5"	N/A	N/A	N/A	
	<input type="checkbox"/> 16.5"	<input type="checkbox"/> 16.5"	<input type="checkbox"/> 16.5"	<input type="checkbox"/> 16.5"	<input type="checkbox"/> 18.5"	<input type="checkbox"/> 18.0"	<input type="checkbox"/> 18.5"	
	<input type="checkbox"/> 17.0"	<input type="checkbox"/> 17.0"	<input type="checkbox"/> 17.0"	<input type="checkbox"/> 17.0"	<input type="checkbox"/> 18.5"	<input type="checkbox"/> 18.0"	<input type="checkbox"/> 18.5"	
	<input type="checkbox"/> 17.5"	<input type="checkbox"/> 17.5"	<input type="checkbox"/> 17.5"	<input type="checkbox"/> 17.5"	<input type="checkbox"/> 18.5"	<input type="checkbox"/> 18.0"	<input type="checkbox"/> 18.5"	
	<input type="checkbox"/> 18.0"	<input type="checkbox"/> 18.0"	<input type="checkbox"/> 18.0"	<input type="checkbox"/> 18.0"	<input type="checkbox"/> 18.5"	<input type="checkbox"/> 18.5"	<input type="checkbox"/> 19.0"	
<input type="checkbox"/> 22"	<input type="checkbox"/> 16.5"	<input type="checkbox"/> 16.5"	<input type="checkbox"/> 16.5"	<input type="checkbox"/> 16.5"	N/A	N/A	N/A	
	<input type="checkbox"/> 17.0"	<input type="checkbox"/> 17.0"	<input type="checkbox"/> 17.0"	<input type="checkbox"/> 17.0"	N/A	N/A	N/A	
	<input type="checkbox"/> 17.5"	<input type="checkbox"/> 17.5"	<input type="checkbox"/> 17.5"	<input type="checkbox"/> 17.5"	<input type="checkbox"/> 18.5"	<input type="checkbox"/> 18.5"	<input type="checkbox"/> 19.0"	
	<input type="checkbox"/> 18.0"	<input type="checkbox"/> 18.0"	<input type="checkbox"/> 18.0"	<input type="checkbox"/> 18.0"	<input type="checkbox"/> 18.5"	<input type="checkbox"/> 18.5"	<input type="checkbox"/> 19.0"	
	<input type="checkbox"/> 18.5"	<input type="checkbox"/> 18.5"	<input type="checkbox"/> 18.5"	<input type="checkbox"/> 18.5"	<input type="checkbox"/> 19.0"	<input type="checkbox"/> 19.0"	N/A	
	N/A	<input type="checkbox"/> 19.0"	<input type="checkbox"/> 19.0"	<input type="checkbox"/> 19.0"	<input type="checkbox"/> 19.5"	N/A	N/A	
<input type="checkbox"/> 24"	<input type="checkbox"/> 17.0"	N/A	N/A	N/A	N/A	N/A	N/A	
	<input type="checkbox"/> 17.5"	<input type="checkbox"/> 17.5"	<input type="checkbox"/> 17.5"	<input type="checkbox"/> 17.5"	N/A	N/A	N/A	
	<input type="checkbox"/> 18.0"	<input type="checkbox"/> 18.0"	<input type="checkbox"/> 18.0"	<input type="checkbox"/> 18.0"	<input type="checkbox"/> 18.5"	<input type="checkbox"/> 18.0"	N/A	
	<input type="checkbox"/> 18.5"	<input type="checkbox"/> 18.5"	<input type="checkbox"/> 18.5"	<input type="checkbox"/> 18.5"	<input type="checkbox"/> 18.5"	<input type="checkbox"/> 18.5"	<input type="checkbox"/> 18.5"	
	N/A	<input type="checkbox"/> 19.0"	<input type="checkbox"/> 19.0"	<input type="checkbox"/> 19.0"	<input type="checkbox"/> 19.0"	<input type="checkbox"/> 19.0"	<input type="checkbox"/> 19.0"	
	N/A	N/A	<input type="checkbox"/> 19.5"	<input type="checkbox"/> 19.5"	<input type="checkbox"/> 19.5"	<input type="checkbox"/> 19.5"	<input type="checkbox"/> 20.0"	

Chart A - Seat to Floor Height Matrix

Note: Rear seat-to-floor ht. may be up to 1.5" lower than front seat-to-floor ht.

4. REAR WHEELS / SEAT HEIGHT

Rear Wheel Size

<input type="checkbox"/>	187RW13		12" Mag (N/A with handrims)	STD
<input type="checkbox"/>	187RW14		16" Mag (N/A with handrims)	NC
<input type="checkbox"/>	187RW3		20" Mag	NC
<input type="checkbox"/>	187RW8		22" Mag	NC
<input type="checkbox"/>	187RW1		24" Mag	NC
<input type="checkbox"/>	187RW12		18" Spoke	\$100
<input type="checkbox"/>	187RW90		20" Lite Spoke	\$200
<input type="checkbox"/>	187RW91		22" Lite Spoke	\$200
<input type="checkbox"/>	187RW54		24" Lite Spoke	\$200

Rear Wheel Tire

<input type="checkbox"/>	187RT1	E2211 E2212	Pneumatic	\$85
<input type="checkbox"/>	187RT2	E2211 E2213	Pneumatic Airless Insert	\$85
<input type="checkbox"/>	187RT3		Full Polyurethane (N/A w/ 12", 16", and 18" rear wheels)	NC
<input type="checkbox"/>	187RT4		Low Polyurethane (Only available with 12" or 24" wheels)	NC
<input type="checkbox"/>	187RT6	E2211 E2212	High Pressure Clincher (Only available with 24" spoke wheels)	\$95

Handrim

<input type="checkbox"/>	187HR1		Aluminum Anodized	NC
<input type="checkbox"/>	187HR4		Plastic Coated	\$110
<input type="checkbox"/>	187HR7		Omit (N/A with wheel/axle credit)	NC

Projections (N/A on Plastic Coated)

**Only available with 24" wheels & N/A with spoke guards.*

<input type="checkbox"/>	187HR8		8 Oblique	\$325
--------------------------	--------	--	-----------	-------

Axle

<input type="checkbox"/>	187AX26		One-Arm Drive Axle (Only avail. w/ One-Arm Drive Option)	STD
<input type="checkbox"/>	187AX1		Quick Release	NC
<input type="checkbox"/>	187AX11		Quad Quick Release (N/A with Lite Spokes)	\$125

Axle Plate

<input type="checkbox"/>	187AL18		12" Rear Wheel Axle Plate (Only avail. w/ 12" or 16" rear wheels)	STD
<input type="checkbox"/>	187AL34		Short Adjustable (N/A with 12" rear wheels)	NC
<input type="checkbox"/>	187AL35		Long Adjustable (N/A with 12" rear wheels)	NC
<input type="checkbox"/>	187AL17	E0958	One Arm Drive (Avail. w/ 20", 22", 24" Mag Rear Wheels & 13"-18" width)	\$900
<input type="checkbox"/>	187OA2		Standard Handrim	NC
<input type="checkbox"/>	187HM1		Right	NC
<input type="checkbox"/>	187HM2		Left	NC
<input type="checkbox"/>	187OA1		Small Handrim (N/A w/ 20" wheels)	NC
<input type="checkbox"/>	187HM1		Right	NC
<input type="checkbox"/>	187HM2		Left	NC

5. WHEEL LOCK / HUB LOCK

Wheel Lock

Not available with Hub Lock

<input type="checkbox"/>	187WL1		High Mount Push	NC
<input type="checkbox"/>	187WL2		High Mount Pull	NC
<input type="checkbox"/>	187WL25		Foot Lock (may limit folding width)	NC
<input type="checkbox"/>	187WL10		Omit	NC

Extension Handle

<input type="checkbox"/>	187EH1	E0961	6" Pair	\$75
--------------------------	--------	-------	---------	------

Hub Lock

**Only available with 12" or 16" wheels. Not avail. w/ One-Arm Drive.*

<input type="checkbox"/>	187LK01		12" Hub Lock	\$100
<input type="checkbox"/>	187LK02		16" Hub Lock	\$100

6. FOOTRESTS

Hanger Mounted Footrest (Footplates Mount to Hanger Tubing)

Hanger Type

<input type="checkbox"/>	187H140		70° Swing In/Out Front Mount	NC
<input type="checkbox"/>	187H142		80° Swing In/Out Front Mount	NC
<input type="checkbox"/>	187H158		90° Swing In/Out Front Mount	NC
<input type="checkbox"/>	187H9		70° HD Front Mount Lift-Off	NC
<input type="checkbox"/>	187H10		80° HD Front Mount Lift-Off	NC
<input type="checkbox"/>	187H11		90° HD Front Mount Lift-Off	NC

<input type="checkbox"/>	187H161	E0990	90° Elevating (N/A w/ 10"-11" Wide or Z-Finity)	\$315
--------------------------	---------	-------	--	-------

Extensions (may interfere with some seat heights & casters)

<input type="checkbox"/>	187E23		2" (not mounted)	\$55
<input type="checkbox"/>	187E24		4" (not mounted)	\$55

Footplate

<input type="checkbox"/>	187F9	K0040	Kids Angle Adjustable (N/A w/ 17"-18" widths)	\$185
<input type="checkbox"/>	187F8	K0040	Adult Angle Adj. (Available with 10"-18" widths)	\$185
<input type="checkbox"/>	187F62	K0040	Footboard (Available with 10"-16" widths)	\$190

Ext. Tube Mounted Footrests (Footplates Mount to Ext. Tube)

Hanger Type

<input type="checkbox"/>	187H145		60° Swing In/Out	NC
<input type="checkbox"/>	187H139		70° Swing In/Out	STD
<input type="checkbox"/>	187H141		80° Swing In/Out	STD

<input type="checkbox"/>	187H159	K0053	Articulating (N/A w/ 10"-13" composite footplates)	\$370
<input type="checkbox"/>	187H160	E0990	Elevating (N/A w/ composite or platform footplates, or <16" width)	\$315

Extensions

<input type="checkbox"/>	187E1		Short (11.5" - 14")	NC
<input type="checkbox"/>	187E2		Med (14" - 17") - (N/A w/ ELR)	NC
<input type="checkbox"/>	187E5		Long (17" - 19")	NC
<input type="checkbox"/>	187E16		High Mount	\$75

Footplate

<input type="checkbox"/>	187F1		Composite (N/A In 10", 11" or 12" width)	STD
<input type="checkbox"/>	187F3	K0040	Aluminum Angle Adjustable	\$185
<input type="checkbox"/>	187F4	K0040	Kids Angle Adjustable (N/A w/17"-18" width)	\$185
<input type="checkbox"/>	187F5		Aluminum (Only available with elevating leg rests 14"-18")	NC
<input type="checkbox"/>	187F48	K0040	Platform Flip-Up (Available on 60°, 70°, and 80° ext. mount hangers only)	\$190

NEW!

Articulating / Elevating Hanger Cover

<input type="checkbox"/>	187DI47		Neoprene Cover	\$340
<input type="checkbox"/>	187DI48		Gel Pad Cover	\$400

Z-Finity Hangers/Footrest System

Some interference may exist in certain configurations.

<input type="checkbox"/>	187H162		Z-Finity Hanger	STD
--------------------------	---------	--	-----------------	-----

Z-Finity Footrest Mount (Must Chose see Illustration in appendix)				
<input type="checkbox"/>	187DI22		Direct Hanger Mt/Fixed Frame - High	NC
<input type="checkbox"/>	187DI23		Direct Hanger Mt/Fixed Frame - Low	NC
<input type="checkbox"/>	187DI24		Extension Tube Mount	NC

Z-Finity Footrest Pivot Arm

(Must Choose, use matrix in appendix for leg length)

<input type="checkbox"/>	187DI20		Short 2"	NC
<input type="checkbox"/>	187DI21		Long 3-1/4"	NC

Z-Finity Footplate

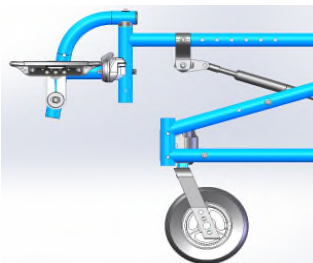
Some interference may exist in certain configurations.

<input type="checkbox"/>	187F320	K0040	Multi Angle Adjustable - Pair (N/A w/ 8"-9" widths)	\$185
<input type="checkbox"/>	187F321	K0040	Angle Adjustable Platform Footboard	\$150
<input type="checkbox"/>	187F6		Omit Footplate	NC

Z-Finity Extension Tube Length (When Choosing Ext. Tube Mount)

<input type="checkbox"/>	187E62		Hemi	NC
<input type="checkbox"/>	187E1		Short	NC
<input type="checkbox"/>	187E2		Medium	NC
<input type="checkbox"/>	187E5		Long	NC

Direct Hanger Mount



Extension Tube Mount



Direct Hanger Mounted

Footrest Adaptor	Hanger Mounting Position	Min		Max	
Short	High Mount	-1.3"	3.0"		
	Low Mount	2.0"	6.3"		
Long	High Mount	-2.5"	4.3"		
	Low Mount	0.8"	7.5"		

Extension Tube Mounted

Footrest Adaptor	Extension Tube Length	Min		Max	
Short	Hemi Short	4.3"	12.0"		
	Short	5.3"	13.0"		
	Medium	7.0"	15.0"		
Long	Long	9.0"	17.0"		
	Hemi Short	3.0"	13.3"		
	Short	4.5"	14.3"		
	Medium	6.0"	16.3"		
	Long	8.0"	18.3"		

Footrest Hanger Options

<input type="checkbox"/>	187IG2		Neoprene Covers (Avail. On 60° / 70°/80° ext. mount hangers only and Z-Finity except in highest mounted position).	\$90
<input type="checkbox"/>	187HL1	E0951	Heel Loops (N/A w/ Z-Finity widths below 14")	\$40
<input type="checkbox"/>	187A110	E0952	Toe Loop (Only avail. w/ adult angle adjust. Footplates N/A w/ Z-Finity)	\$40
<input type="checkbox"/>	187HL5	K0038	Leg Strap	\$40
<input type="checkbox"/>	187A55		Extra Leg Strap	\$35
<input type="checkbox"/>	187H32		Omit Hanger	-\$15
<input type="checkbox"/>	187F7		Omit Footplate & Ext. Tube	-\$15
<input type="checkbox"/>	187HL4		Omit Heel Loop	NC
<input type="checkbox"/>	187HL6		Omit Single Leg Strap	NC

7. BACKREST / SEATING

Backs

(Solid Back Depth = 2" Less Than Frame Depth)

<input type="checkbox"/>	187PU4	Short Solid Back 12" <i>(Requires solid seat)</i>	NC
<input type="checkbox"/>	187PU5	Med. Solid Back 14"	NC
<input type="checkbox"/>	187PU6	Tall Solid Back 16"	NC
<input type="checkbox"/>	187PU9	Omit Backrest	NC

JAY Backs (Optional)

Ordering JAY backs on-chair, See the JAY Price List. Requires Part #

<input type="checkbox"/>	187JB02	JAY Bundled Backrest	Price List
		Backrest Name or Part #	
		Width (in.): Height (in.):	

Stroller Handle Back Posts - Backrests

Fixed Height

<input type="checkbox"/>	187BP9	Low (19" Height)	NC
<input type="checkbox"/>	187BP10	Medium (22" Height)	NC
<input type="checkbox"/>	187BP11	Tall (25" Height)	NC
<input type="checkbox"/>	187BP13	Removable Extension	\$85
<input type="checkbox"/>	187RG1	Folding Adjustable Rigidizer	\$175

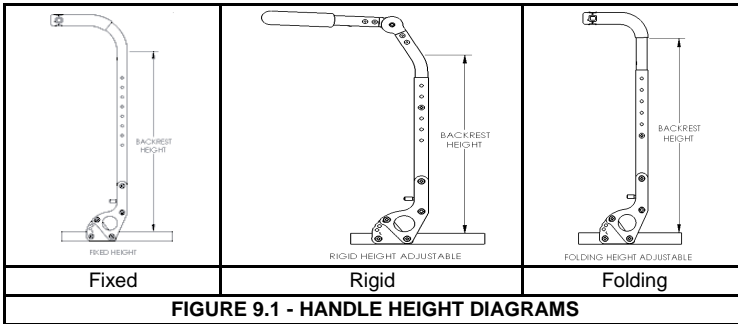
Height Adjustable

Rigid Frame w/ Angle Adjust Push Handle

<input type="checkbox"/>	187B202	Std. (16"-22" Height)	NC
<input type="checkbox"/>	187PH8	Std. Angle Adj. Push Handle Length	NC
<input type="checkbox"/>	187PH9	Long Angle Adj. Push Handle Length	NC
<input type="checkbox"/>	187B203	Tall (19"-25" Height)	NC
<input type="checkbox"/>	187PH8	Std. Angle Adj. Push Handle Length	NC
<input type="checkbox"/>	187PH9	Long Angle Adj. Push Handle Length	NC

Folding Frame with Push Handle

<input type="checkbox"/>	187B204	Std. (17"-23" Height)	NC
<input type="checkbox"/>	187BP47	Swing Away Handle <i>(N/A with dual triggers)</i>	\$55
<input type="checkbox"/>	187B205	Tall (20"-26" Height)	NC
<input type="checkbox"/>	187BP47	Swing Away Handle <i>(N/A with dual triggers)</i>	\$55



8. ARMRESTS / SIDEGUARDS

Armrest and Armpad - Height Adjustable

<input type="checkbox"/>	187AA12	E0973	T-Post Regular w/ Foam	\$265
<input type="checkbox"/>	187AA13	E0973	T-Post Tall w/ Foam	\$265
<input type="checkbox"/>	187AA3		Flip-Up	NC
<input type="checkbox"/>	187AA1	E0973	Adjustable Locking Flip-Up	\$265
<input type="checkbox"/>	187AA7	E0973	Length Adjust. Locking Flip-Up	\$275
<input type="checkbox"/>	187AM23		Desk Length - 10"	NC
<input type="checkbox"/>	187AM24		Full Length 14"	NC
<input type="checkbox"/>	187AM9		Foam Short (N/A w/ T-Post)	NC
<input type="checkbox"/>	187AM10		Foam Long (N/A w/ T-Post)	NC

Armrest Receiver for Height Adjustable Armrest

<input type="checkbox"/>	187AR17		Low (N/A w/ 20", 22" & 24" wheels)	NC
<input type="checkbox"/>	187AR18		Standard	NC

Side Guard

(N/A with height adjustable armrests or T-Post armrests)

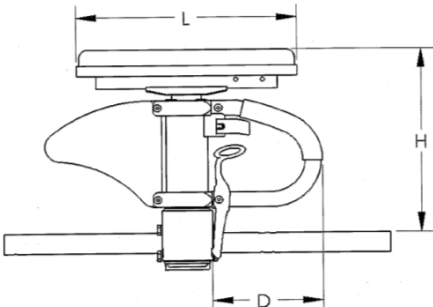
<input type="checkbox"/>	187SG33	K0108	Plastic Std	\$140
<input type="checkbox"/>	187SG29	K0108	Plastic Low	\$140

Armrest - Height Adjustable

<input type="checkbox"/>	187AA11	E0973	Single-Post Height Adj. Std.	\$285
<input type="checkbox"/>	187AM23		Desk Classic	NC
<input type="checkbox"/>	187AM21		Desk Contour	NC
<input type="checkbox"/>	187AM24		Full Classic	NC
<input type="checkbox"/>	187AM22		Full Contour	NC
<input type="checkbox"/>	187AA29	E0973	Single-Post Height Adj. Low	\$285
<input type="checkbox"/>	187AM23		Desk Classic	NC
<input type="checkbox"/>	187AM21		Desk Contour	NC
<input type="checkbox"/>	187AM24		Full Classic	NC
<input type="checkbox"/>	187AM22		Full Contour	NC

Armrest Size	Transfer Tube Length (D)	Receiver	CLASSIC PAD		
			Height Range (H)	Pad Length (L)	
				Desk	Full
STD	8"	STD	10-3/4" to 15-3/4"	10-1/4"	14"
		LOW	8-3/4" to 13-3/4"		
LOW	5-1/4"	STD	9" to 13"		
		LOW	7-1/4" to 11-1/4"		

Armrest Size	Transfer Tube Length (D)	Receiver	CONTOUR PAD		
			Height Range (H)	Pad Length (L)	
				Desk	Full
STD	8"	STD	10" to 15"	10-1/2"	14-1/4"
		LOW	8-1/4" to 12-1/2"		
LOW	5-1/4"	STD	8-1/2" to 12-1/2"		
		LOW	6-3/4" to 10-3/4"		



The diagram illustrates the mechanical components of an armrest receiver. It shows a top-down view of the receiver assembly with a horizontal pad. Dimension 'L' indicates the length of the pad. Dimension 'H' indicates the vertical height of the receiver from the desk surface. Dimension 'D' indicates the diameter of the transfer tube that passes through the receiver. The receiver is shown in a side view, highlighting its curved, ergonomic shape and the internal mechanism for height adjustment.

Armrest Matrix for Single-Post

9. KEY OPTIONS

Back Pack (Kids Backpack included)

<input type="checkbox"/>	187A1	Utility Backpack - Black	\$75
<input type="checkbox"/>	187A2	Additional Kids Black Backpack	\$60

Seat Pouch

<input type="checkbox"/>	187A8	Black	\$50
--------------------------	-------	-------	------

Miscellaneous

<input type="checkbox"/>	187A83	Tool Kit	\$55
--------------------------	--------	----------	------

Spoke Guard

(N/A with 12", 16" and 18" rear wheels & Projections Handrims)

<input type="checkbox"/>	187A23	K0065 Black	\$115
<input type="checkbox"/>	187A24	K0065 Clear Zippie	\$115

Anti Tips

<input type="checkbox"/>	187AO1	E0971 Front Anti-Tip <i>(N/A with caster pin locks) (N/A with transit option)</i>	\$150
<input type="checkbox"/>	187AT1	E0971 Rear Anti-Tip	\$150

Positioning Belt (w/ clamps)

<input type="checkbox"/>	187A112	E0978	1" Dual Pull Side Squeeze Padded	\$85
<input type="checkbox"/>	187A117	E0978	Belt 2" Aircraft Buckle	\$110
<input type="checkbox"/>	187A118	E0978	Belt 2" Aircraft Buckle Padded	\$120
<input type="checkbox"/>	187A141	E0978	Belt 1.5" Auto Buckle w/ clamps	\$70
<input type="checkbox"/>	187A814	E0978	1" Comfort Fit APB5116	\$120

Canopy (SunShade)

(Need 2" back post clearance to mount canopy hardware, may require next height based on seating; please note some interference may occur with some headrest configurations)

<input type="checkbox"/>	1878A06	K0108	Canopy (Sunshade) 10"-14" Width	\$275
<input type="checkbox"/>	1878A07	K0108	Canopy (Sunshade) 15"-20" Width	\$275

Upper Extremity Support Tray

When ordering a tray with full armrest or desk armrest pads, add 1" to seat width to determine best tray size.

<input type="checkbox"/>	187A29	E0950	X-Sm (Suggested 10"-12" Width)	\$255
<input type="checkbox"/>	187A30	E0950	Sm (Suggested 13"-14" Width)	\$255
<input type="checkbox"/>	187A31	E0950	Med (Suggested 15"-17" Width)	\$255
<input type="checkbox"/>	187A32	E0950	Lrg (Suggested 18"-20" Width)	\$255

10. FRAME COLOR

Standard Colors

<input type="checkbox"/>	187C140	Aztec Gold	NC
<input type="checkbox"/>	187C2	Black <i>(N/A as base w/ Zebra)</i>	NC
<input type="checkbox"/>	187C141	Black Cherry	NC
<input type="checkbox"/>	187C10	Black Opal	NC
<input type="checkbox"/>	187C38	Blue Opal	NC
<input type="checkbox"/>	187C36	Candy Blue	NC
<input type="checkbox"/>	187C14	Candy Purple	NC
<input type="checkbox"/>	187C35	Candy Red	NC
<input type="checkbox"/>	187C142	Electric Blue	NC
<input type="checkbox"/>	187C143	Evergreen	NC
<input type="checkbox"/>	187C126	Glow	NC
<input type="checkbox"/>	187C144	Green Apple	NC
<input type="checkbox"/>	187C147	Hot Sparkle Pink	NC
<input type="checkbox"/>	187C148	Mauve Pink	NC
<input type="checkbox"/>	187C103	Rootbeer	NC
<input type="checkbox"/>	187C114	Sparkle Silver	NC
<input type="checkbox"/>	187C145	Sunrise Orange	NC
<input type="checkbox"/>	187C113	Titanium Color Paint	NC
<input type="checkbox"/>	187C8	Yellow	NC

Standard Matte Colors

<input type="checkbox"/>	187C116	Matte Black	NC
<input type="checkbox"/>	187C151	Matte Black Cherry	NC
<input type="checkbox"/>	187C152	Matte Purple	NC
<input type="checkbox"/>	187C150	Matte Electric Blue	NC
<input type="checkbox"/>	187C149	Matte Evergreen	NC

Custom Colors

<input type="checkbox"/>	187C43	Mossy Oak Camouflage	\$395
<input type="checkbox"/>	187C42	Stars and Stripes	\$395
<input type="checkbox"/>	187C108	Zebra <i>(Choose base color above: White Std. N/A black, black opal, matte black or titanium)</i>	\$395

Additional Options Through Built-4-Me

To inquire about any unique customization for Zippie products, contact: Phone: (800) 333-4000, Fax: (800) 333-9011



Commonly Requested Options Include:

- ✓ Dynamic Back
- ✓ Reclining Backrest
- ✓ Custom Anodizing
- ✓ Custom Paint
- ✓ O2 Holder with Transit
- ✓ IV Pole with Transit



Sunrise Medical (US) LLC
2842 Business Park Ave. · Fresno, CA 93727 · USA