

SEATING SYSTEMS PACKAGES (Seat & Back)

<input type="checkbox"/>	PKG10XX	E2609/E2617	Universal/E-Z Mount Seating Package	\$1,356
	A	SBP10XX	Solid Back Insert	\$265
	B	SSP10XX	Solid Seat Insert	\$204
	C	HDW1025	Std Seat To Back brkt	\$224
	D	HDW6850	1" EZ Mnt Brackets (2)	2x \$97
	E	HDW6853	Fixed EZ mnt brkts (2)	2x \$77
	F	HDW6820C	Unvrsl Back Clamp (2)	2x \$122
	F	HDW6823	Std Back L Bracket (2)	\$71

Note: Adjustment range up to 3" drop and up to 7" forward adjustment.
 Note: Seat to Back Brackets can limit adjustment range.
 Note: Please select tubing size required 3/4", 7/8", and 1".
 Note: Hardware change required if Curved Back (MOD5500/5501/5502) is selected.

<input type="checkbox"/>	PKG11XX	E2609/E2617	Universal Mount Seating Package	\$1,431
	A	SBP10XX	Solid Back Insert	\$265
	B	SSP10XX	Solid Seat Insert	\$204
	C	HDW1025	Std Seat To Back brkt	\$224
	D	HDW6810C	Unvrsl Seat Clamp (2)	2x \$128
	D	HDW6813	Std Seat L brkt (2)	2x \$36
	E	HDW6820C	Unvrsl Back Clamp (2)	2x \$122
	E	HDW6823	Std Back L Bracket (2)	2x \$71
	F	HDW6303	Std Seat Tabs (2)	2x \$12

Note: Hardware change required if Curved Back (MOD5500/5501/5502) is selected.
 Note: When WC20 is added appropriate transit approved hardware must be selected.

<input type="checkbox"/>	PKG13XX	E2609/E2617	Universal Space-Saver Seating Package	\$1,419
	A	SBP10XX	Solid Back Insert	\$265
	B	SSP10XX	Solid Seat Insert	\$204
	C	HDW1025	Std Seat To Back brkt	\$224
	D	HDW6820C	Unvrsl Back Clamp (2)	2x \$122
	D	HDW6813	Std Back L brkt (2)	2x \$36
	E	HDW6820C	Unvrsl Back Clamp (2)	2x \$122
	E	HDW6823	Std Back L Bracket (2)	2x \$71
	F	HDW6303	Std Seat Tabs (2)	2x \$12

Note: Hardware change required if Curved Back (MOD5500/5501/5502) is selected.
 Note: Please select tubing size required 3/4", 7/8", and 1".
 Note: When WC20 is added appropriate transit approved hardware must be selected.

<input type="checkbox"/>	PKG20XX	E2609/E2617	Adj "J" Hook Bracket Seating Package	\$931
	A	SBP10XX	Solid Back Insert	\$265
	B	SSP10XX	Solid Seat Insert	\$204
	C	HDW1025	Std Seat To Back brkt	\$224
	D	HDW6230	2 Hole J Hook (4)	4x \$16
	E	HDW6150	5 Hole L brkt (4)	4x \$18
	F	HDW6236	6 Hole J Hook 1" (2)	2x \$15
	G	HDW6120	2 Hole L brkt (2)	2x \$16
	H	HDW6430	Seat Stop (2)	\$20
	I	HDW6465	Stop w/ Rotatin Hold (2)	\$20

Note: Hardware change required if Curved Back (MOD5500/5501/5502) is selected.
 Note: Between rail or full width back option available.
 Note: X-Brace cut out may need to be added (MOD4175) additional charges will apply.
 Note: Please select tubing size required 3/4", 7/8", 1", 1-1/8", or Xcape Tubing.

<input type="checkbox"/>	PKG23XX	E2609/E2617	Ind Adj "J" Hook brkt Seating Package	\$949
	A	SBP10XX	Solid Back Insert	\$265
	B	SSP10XX	Solid Seat Insert	\$204
	C	HDW1025	Std Seat To Back brkt	\$224
	D	HDW6300	Flush Hooks (4)	4x \$15
	E	HDW6310	Spacer (4)	4x \$12
	F	HDW6230	2 Hole J Hook (2)	2x \$16
	G	HDW6170	7 Hole L brkt (2)	2x \$18
	H	HDW6430	Seat Stop (2)	2x \$20
	I	HDW6465	Stop w/ Rotatin Hold (2)	2x \$20

Note: Hardware change required if Curved Back (MOD5500/5501/5502) is selected.
 Note: Between rail or full width back option available.
 Note: Please select tubing size required 3/4", 7/8", 1", 1-1/8", or Xcape Tubing.

<input type="checkbox"/>	PKG30XX	E2609/E2617	E-Z Mount Seating Package	\$1,255
	A	SBP10XX	Solid Back Insert	\$265
	B	SSP10XX	Solid Seat Insert	\$204
	C	HDW1025	Std Seat To Back brkt	\$224
	D	HDW6850	EZ Mnt w brkt (4)	4x \$97
	E	HDW6853	EZ Mnt Fix brkt (2)	2x \$77
	F	HDW6465	Stop w/ Rotating Hold (2)	\$20

Note: Please select tubing size required 3/4", 7/8", and 1".
 Note: Curved back (MOD5501/MOD5502) use HDW6856.
 Note: Seat hardware accommodates up to 1-1/4" drop adjustment.
 Note: Back hardware accommodates up to 1-3/8" forward adjustment.

SEAT PACKAGES

<input type="checkbox"/>	SSK10XX	E2609	Universal / E-Z Mount Seat Package	\$726
	A	SSP10XX	Solid Seat Insert	\$204
	B	HDW6810C	Unvrsl Seat Clamp (2)	2x \$128
	B	HDW6813	Std Back L brkt (2)	2x \$36
	C	HDW6850	1" EZ Mount brkts (2)	2x \$97

Note: When WC20 is added appropriate transit approved hardware must be selected.

<input type="checkbox"/>	SSK17XX	E2609	Universal Mount Seat Package	\$556
	A	SSP10XX	Solid Seat Insert	\$204
	B	HDW6303	Std Seat Tabs (2)	2x \$12
	C	HDW6810C	Unvrsl Seat Clamp (2)	2x \$128
	C	HDW6813	Std Back L brkt (2)	2x \$36

Note: Configured to be ordered with SBK17XX.
 Note: When WC20 is added appropriate transit approved hardware must be selected.
 Note: MOD4800 Seat Rail Foam Overlay not available with Transport Option.

<input type="checkbox"/>	SSK20XX	E2609	Adj "J" Hook & Rotate Hold Seat Package	\$306
	A	SSP10XX	Solid Seat Insert	\$204
	B	HDW6236	6 Hole J Hook 1" (2)	2x \$15
	C	HDW6120	2 Hole L brkt (2)	2x \$16
	D	HDW6460	Stop w/ Fixed Hold (2)	\$20
	E	HDW6465	Stop w/ Rotating Hold (2)	\$20

Note: Optional Full width option available Via 2 Hole J Hook and 5 Hole L Bracket.
 Note: MOD4175 Mid-seat Cutout for X-Braces is included.

<input type="checkbox"/>	SSK30XX	E2609	E-Z Mount Seat Package	\$592
	A	SSP10XX	Solid Seat Insert	\$204
	B	HDW6850	1" EZ Mount brkts (4)	4x \$97

<input type="checkbox"/>	SSK50XX	E2609	Drop Hook & Rotate Hold Seat Package	\$292
	A	SSP10XX	Solid Seat Insert	\$204
	B	HDW6725	1-1/2" Drop Hks (4)	4x \$12
	C	HDW6460	Stop w/ Fixed Hold (2)	\$20
	D	HDW6465	Stop w/ Rotating Hold (2)	\$20

Note: 1-1/2" drop is standard, specify if other is required.

<input type="checkbox"/>	SSK55XX	E2609	Flush Hook & Rotate Hold Package	\$352
	A	SSP10XX	Solid Seat Insert	\$204
	B	HDW6300	Flush Hooks (4)	4x \$15
	C	HDW6310	Spacer (4)	4x \$12
	D	HDW6460	Stop w/ Fixed Hold (2)	\$20
	E	HDW6465	Stop w/ Rotating Hold (2)	\$20

SEAT MODIFICATIONS – STRUCTURAL			
<input type="checkbox"/>	MOD4075	Two Piece Cushion & Base Seat	\$168
<input type="checkbox"/>	MOD4150	Notches for Back Posts 2" X 2"	N/C
<input type="checkbox"/>	MOD4153	Notches for Back Posts 3" deep	N/C
<input type="checkbox"/>	MOD4155	Notches Frnt Hngrs (Wood Only)	N/C
<input type="checkbox"/>	MOD4159	Notches Back Post, Seat, Cus	\$41
<input type="checkbox"/>	MOD4170	Sub 1/2" Plastitech Seat	\$41
<input type="checkbox"/>	MOD4175	Mid Seat Cutout for X-Brace	\$112
<input type="checkbox"/>	MOD4200L	Offset Seat, Long on Left side	\$112
<input type="checkbox"/>	MOD4200R	Offset Seat, Long on Right side	\$112
<input type="checkbox"/>	MOD4300	T-style Seat	\$122
<input type="checkbox"/>	MOD4400	Anti-Thrust Seat	\$184
<input type="checkbox"/>	MOD4450	Quick-Fit Anti-Thrust Seat	\$434
<input type="checkbox"/>	MOD4460	Wedge Seat	\$189
<input type="checkbox"/>	MOD4500	Cubed Seat (2"x2"x2" HR foam)	\$434
<input type="checkbox"/>	MOD4525	Personalized Cubes, Seat	\$505
<input type="checkbox"/>	MOD4600	E2294 Contour Seat	\$367
<input type="checkbox"/>	MOD4605	Leg Trough Cut Into Seat	\$143
<input type="checkbox"/>	MOD4611	Contoured Mod w/Pel Well Mild	\$367
<input type="checkbox"/>	MOD4612	Contoured Mod w/Pel Well Med	\$367
<input type="checkbox"/>	MOD4613	Contoured Mod w/Pel Well Aggr	\$367
<input type="checkbox"/>	MOD4614	Contoured Mod w/Pel Well Cust	\$367
<input type="checkbox"/>	MOD4630	Quick-Fit Contoured Seat	\$561
<input type="checkbox"/>	MOD4640L	Lateral Reinforcement, Seat, Left	\$112
<input type="checkbox"/>	MOD4640R	Lateral Reinforcement, Seat, Right	\$112
<input type="checkbox"/>	MOD4650	Substitute ABS for Multi-Ply in Seat	\$153
<input type="checkbox"/>	MOD4655L	Belt Strap Notches, Seat, Left	\$24
<input type="checkbox"/>	MOD4655R	Belt Strap Notches, Seat, Right	\$24
<input type="checkbox"/>	MOD4700	Built-in Medial Thigh Support	\$219
<input type="checkbox"/>	MOD4725	Contour Lateral Adductor	\$219
<input type="checkbox"/>	MOD4800	Seat Rail Foam Overlay	\$135
<input type="checkbox"/>	MOD4825	Seat - Front Edge Bevel Undercut	\$135
<input type="checkbox"/>	MOD4850L	Pelvic Obliquity Addition (Up to 1") Left	\$153
<input type="checkbox"/>	MOD4850R	Pelvic Obliquity Addition (Up to 1") Right	\$153
<input type="checkbox"/>	MOD4900	Adjustable Split Seat	\$505
<input type="checkbox"/>	MOD5000	I-Style Seat	\$122
<input type="checkbox"/>	MOD5700	Substitute 3/4" Multi-Ply for 1/2"	\$73
<input type="checkbox"/>	MOD6827	No Seat Cushion	NC
<input type="checkbox"/>	MOD6828	Add Folding Hinge Bracket	\$135
<input type="checkbox"/>	MOD6860L	Seat Mount L Bracket, TRANS, L	\$31
<input type="checkbox"/>	MOD6860R	SEAT MOUNT L brkt, TRANS, R	\$31
<input type="checkbox"/>	MOD6861L	SEAT MOUNT L brkt, TRANS, SH/L	\$31
<input type="checkbox"/>	MOD6861R	SEAT MOUNT L brkt, TRANS, SH/R	\$31
<input type="checkbox"/>	MOD8000	Omit T-Nuts	N/C
<input type="checkbox"/>	MOD9050	Oversize, over 20" up to 24"	\$77
<input type="checkbox"/>	MOD9075	Oversize, over 24" up to 28"	\$112

SEAT MODIFICATIONS - UPHOLSTERY			
<input type="checkbox"/>	MOD4125	Attaching Strips, Bottom, Loop (STD)	\$41
<input type="checkbox"/>	MOD4125H	Attaching Strips, Bottom, Hook	\$41
<input type="checkbox"/>	MOD4126	Attaching Strips, Top, Hook	\$41
<input type="checkbox"/>	MOD4130	Non-Skid Added to Bottom	\$51
<input type="checkbox"/>	MOD4131	Non-Skid Added to Top	\$51
<input type="checkbox"/>	MOD5120	Add Velcro Closure, Made To Order	\$153
<input type="checkbox"/>	MOD5130	Add Synthetic Sheepskin Cover, Beige	\$184
<input type="checkbox"/>	MOD5150	Incontinent Film Covering	\$102
<input type="checkbox"/>	MOD5192	Add Zip Seat Top Face Only	\$135
<input type="checkbox"/>	MOD5600	Sewn Positioning Strap Slot (Pair)	\$112

SEAT MODIFICATIONS - FOAM			
<input type="checkbox"/>	MOD0050	Omit Foam in Seat	N/C
HR FOAM			
<input type="checkbox"/>	MOD1005	1/2" HR Foam in Seat	N/C
<input type="checkbox"/>	MOD1100	1" HR Foam in Seat	N/C
<input type="checkbox"/>	MOD1150	1-1/2" HR Foam in Seat	N/C
<input type="checkbox"/>	MOD1200	2" HR Foam in Seat	\$36
<input type="checkbox"/>	MOD1300	3" HR Foam in Seat	\$51
PUDGEE FOAM			
<input type="checkbox"/>	MOD1405	Additional 1/2" Pudgee Foam in Seat	\$184
<input type="checkbox"/>	MOD1400	1" Pudgee Foam in Seat	\$275
<input type="checkbox"/>	MOD1495	1" Pudgee Foam Partial Insert	\$204
T FOAM			
<input type="checkbox"/>	MOD1605	1/2" T-Foam in Seat	\$61
<input type="checkbox"/>	MOD1600	1" T-Foam in Seat	\$107
<input type="checkbox"/>	MOD1615	1-1/2" T-Foam in Seat	\$122
<input type="checkbox"/>	MOD1700	2" T-Foam in Seat	\$153
SUNMATE FOAM			
<input type="checkbox"/>	MOD1805	1/2" SunMate Foam in Seat	\$46
<input type="checkbox"/>	MOD1800	1" SunMate Foam in Seat	\$87
<input type="checkbox"/>	MOD1815	1-1/2" SunMate Foam in Seat	\$112
<input type="checkbox"/>	MOD1900	2" SunMate Foam in Seat	\$128
<input type="checkbox"/>	MOD1816	1/2" SSM over 1" MSM Foam In seat	\$112
<input type="checkbox"/>	MOD1817	1" SSM over 1/2" MSM Foam in Seat	\$112
JAY FLOW FLUID			
<input type="checkbox"/>	MOD1505	Pressure Relief Pads/Ischial	\$265
GEL			
<input type="checkbox"/>	MOD1500	5/8" Gel over 1-1/2" HR Foam in Seat	\$235
<input type="checkbox"/>	MOD1525	1/2" Cubed Gel over 1-1/2" HR Foam St	\$275
<input type="checkbox"/>	MOD1595	5/8" Gel Partial Insert	\$186
STIMILITE HONEYCOMB			
<input type="checkbox"/>	MOD1185	1/2" Stimulite Honeycomb, Seat	\$219
<input type="checkbox"/>	MOD1180	1" Stimulite Honeycomb, Seat	\$275
<input type="checkbox"/>	MOD1195	Partial Stimulite Honeycomb, Insert	\$219

ADDITIONAL SEAT COVERS			
<input type="checkbox"/>	COV4100	Additional Zippered Cover, Flat, Std	\$135
<input type="checkbox"/>	COV4109	Additional Zippered Cover, Made To Order	\$184
<input type="checkbox"/>	COV4110	Additional Slip Over Cover, Flat, Std	\$135
<input type="checkbox"/>	COV4119	Additional Slip Over Cover, Made To Order	\$184
<input type="checkbox"/>	COV99XX	Additional Zippered Cover Foam Form	\$505

BACK MODIFICATIONS

BACK MODIFICATIONS – STRUCTURAL

<input type="checkbox"/>	MOD1045	Adj Offset Hinge, Wide in Pkg	\$87
<input type="checkbox"/>	MOD1055	Adj Offset Hinge, Ped in Pkg	\$87
<input type="checkbox"/>	MOD5075	2 Piece Cush & Base Back (1/2" Wood)	\$173
<input type="checkbox"/>	MOD5125	Add Hook/Loop Closure Back	\$148
<input type="checkbox"/>	MOD5170	Sub 1/2" Plastitech Back	\$41
<input type="checkbox"/>	MOD5180	Foam Form Back	\$505
<input type="checkbox"/>	MOD5194	Cen & Top Edge Zip Hidn Back	NC
<input type="checkbox"/>	MOD5200	I-Style Back	\$128
<input type="checkbox"/>	MOD5300	T-Style Back	\$128
<input type="checkbox"/>	MOD5425	Half-Round Lumbar Roll - Internal	\$179
<input type="checkbox"/>	MOD5426	Half-Round Lumbar Roll w/ Strap	\$179
<input type="checkbox"/>	MOD5450	Adj Angle Bi-Angular Back w/ 2 brkts	\$372
		<i>Not Available with Curved wood</i>	
<input type="checkbox"/>	MOD5451	Adj Angle Bi-Angular Back w/ 1 brkt	\$245
<input type="checkbox"/>	MOD5452	Adj Bi-Ang Back 2 Piece cover	\$505
<input type="checkbox"/>	MOD5455	Sub 1/2" Plastitech Base & Cush, Back	\$66
<input type="checkbox"/>	MOD5460	Adjustable Lumbar Back 5.5" Adj Range	\$403
<input type="checkbox"/>	MOD5462	Adjustable Lumbar Back 7.5" Adj Range	\$403
<input type="checkbox"/>	MOD5475	Revers Bi-Angular Back - Fixed	\$219
<input type="checkbox"/>	MOD5500	Curved Back	\$179
<input type="checkbox"/>	MOD5501	Curved Back, w/ 2 hinged L brkts	\$219
<input type="checkbox"/>	MOD5502	Curved Back, w/ 4 Hinged L brkts	\$240
<input type="checkbox"/>	MOD5510	Curved Lateral Thor Pad Mod	\$20
<input type="checkbox"/>	MOD5530	Curved Foam Addition to Flat Back	\$143
<input type="checkbox"/>	MOD5550	Cubed Back (2"x2"x2" HR foam)	\$413
<input type="checkbox"/>	MOD5575	Personalized Cubes, Back	\$505
<input type="checkbox"/>	MOD5600	Sewn Anterior Position Strap Slots (PR)	\$112
<input type="checkbox"/>	MOD5605	T-Nut For Strap Pos Hdw	NC
<input type="checkbox"/>	MOD5610	Shoulder Strap Mnt Through Back	\$148
<input type="checkbox"/>	MOD5620	Attaching Tie W/Velcro Back	\$25
<input type="checkbox"/>	MOD5621	Attaching Tie W/ Snaps Back	\$24
<input type="checkbox"/>	MOD5622	Attaching Ties Loops Back	\$24
<input type="checkbox"/>	MOD5650	Substitute ABS (1/2") for Multi-Ply in Back	\$184
<input type="checkbox"/>	MOD5700	Replace 3/4" Multi-Ply with 1/2"	\$71
<input type="checkbox"/>	MOD5705	Replace 1/2" Multi-Ply with 3/4"	\$71
<input type="checkbox"/>	MOD5800	Contour Back	\$311
<input type="checkbox"/>	MOD5801	Quick-Fit Contour/Bi-Angular Back	\$617
<input type="checkbox"/>	MOD5802	Quick-Fit Contour Back Only	\$505
<input type="checkbox"/>	MOD5804	Contour Fixed Lumbar Wedge	\$199
<input type="checkbox"/>	MOD5835	Harn's Strap Notches, Top Edge of Back	\$102
<input type="checkbox"/>	MOD5849	ABS back with side walls Back	\$281
<input type="checkbox"/>	MOD5850	Scapular Contour Cutout, Back	\$189
<input type="checkbox"/>	MOD5855	Top Edge Angle Cut, Back	\$112
<input type="checkbox"/>	MOD5860	Large Radius Corners For Back	NC
<input type="checkbox"/>	MOD8100	Omit T-Nuts, Back	NC
<input type="checkbox"/>	MOD9150	Oversize, over 20" up to 24"	\$87
<input type="checkbox"/>	MOD9175	Oversize, over 24" up to 28"	\$122

BACK MODIFICATIONS – UPHOLSTERY

<input type="checkbox"/>	MOD5115	Add Faux Sheepskin to Back	\$224
<input type="checkbox"/>	MOD5135	Add Synthetic Sheepskin Cover, Beige	\$184
<input type="checkbox"/>	MOD5125	Add Velcro Closure, Made To Order	\$148
<input type="checkbox"/>	MOD5127	Privacy Flap 12" Long	\$112
<input type="checkbox"/>	MOD5165	Removable top Cover Zipper at Center	\$153
<input type="checkbox"/>	MOD5610	Shoulder Strap Mounting Grommets	\$148
<input type="checkbox"/>	MOD5620	Attaching Ties for Back, Velcro	\$25
<input type="checkbox"/>	MOD5621	Attaching Ties for Back, Snaps	\$24
<input type="checkbox"/>	MOD5900	Monogram Back, Block	NC
<input type="checkbox"/>	MOD5901	Monogram Back, Script	NC
<input type="checkbox"/>	MOD5902	Monogram Stock Design	NC
<input type="checkbox"/>	MOD5909	Monogram Back, Made To Order	Quote

BACK MODIFICATIONS – FOAM

<input type="checkbox"/>	MOD0055	Omit Foam in Back	N/C
HR FOAM			
<input type="checkbox"/>	MOD2005	1/2" HR Foam in Back	NC
<input type="checkbox"/>	MOD2100	1" HR Foam in Back	NC
<input type="checkbox"/>	MOD2150	1-1/2" HR Foam in Back	NC
<input type="checkbox"/>	MOD2200	2" HR Foam in Back	\$36
<input type="checkbox"/>	MOD2300	3" HR Foam in Back	\$56
PUDGEE FOAM			
<input type="checkbox"/>	MOD2400	1" Pudgee Foam in Back	\$260
<input type="checkbox"/>	MOD2405	Additional 1/2" Pudgee Foam in Back	\$184
<input type="checkbox"/>	MOD2495	1" Partial Pudgee Foam in Back	\$204
T FOAM			
<input type="checkbox"/>	MOD2605	1/2" T-Foam in Back	\$61
<input type="checkbox"/>	MOD2600	1" T-Foam in Back	\$107
<input type="checkbox"/>	MOD2615	1-1/2" T-Foam in Back	\$122
<input type="checkbox"/>	MOD2700	2" T-Foam in Back	\$148
SUNMATE FOAM			
<input type="checkbox"/>	MOD2805	1/2" SunMate in Back	\$46
<input type="checkbox"/>	MOD2800	1" SunMate Foam in Back	\$97
<input type="checkbox"/>	MOD2815	1-1/2" SunMate in Back	\$107
<input type="checkbox"/>	MOD2900	2" SunMate Foam in Back	\$133
<input type="checkbox"/>	MOD2801	1/2" SSM OVER 1/2" MSM, BACK	\$97
<input type="checkbox"/>	MOD2804	1" SSM OVER 1/2" HR FOAM, BACK	\$97
JAY FLOW FLUID			
<input type="checkbox"/>	MOD2505	Spinal Pressure Relief Pad	\$377
GEL			
<input type="checkbox"/>	MOD2500	5/8" Gel & 1" HR Foam in Back	\$245
<input type="checkbox"/>	MOD2595	5/8" Gel Partial & 1" HR Foam in Back	\$204
STIMULITE HONEYCOMB			
<input type="checkbox"/>	MOD2185	1/2" Stimulite in Back	\$204
<input type="checkbox"/>	MOD2180	1" Stimulite in Back	\$291
<input type="checkbox"/>	MOD2195	Partial Stimulite in Back	\$194
FOAM-IN-PLACE			
<input type="checkbox"/>	MOD5180	Foam-in-Place BACK Soft	\$505

BACK MODIFICATIONS - INTERNAL

<input type="checkbox"/>	FTK10XX	E0956	Thrcic Support Kit Foam Form 5"Hx5"D	\$337
<input type="checkbox"/>	FTK11XX	E0956	Thrcic Support Kit Foam Form 7"Hx5"D	\$403
<input type="checkbox"/>	FTK12XX	E0956	Thrcic Support Kit Foam Form 9"Hx6"D	\$306
<input type="checkbox"/>	FTK13XX	E0956	Thrcic Support Kit Foam Form 11"Hx7"D	\$337
<input type="checkbox"/>	FTK19XX		Thrcic Support Kit, Foam Form, Made To Order	\$428

ADDITIONAL BACK COVERS

<input type="checkbox"/>	COV5100	Additional Zippered Cover, Flat, Std	\$138
<input type="checkbox"/>	COV5109	Additional Zippered Cover, Made To Order	\$194
<input type="checkbox"/>	COV5110	Additional Slip Over Cover, Flat, Std	\$143
<input type="checkbox"/>	COV5119	Additional Slip Over Cover, Made To Order	\$199
<input type="checkbox"/>	COV99XX	Add Zipper Cover Foam-in-place	\$505

LATERAL THORACIC SUPPORTS

LATERAL THORACIC SUPPORT PACKAGES				
<input type="checkbox"/>	LTK22XX	E0956	Std profile bracket - Flat Pad - Each	\$138
	<input type="checkbox"/> Left		<input type="checkbox"/> Right <input type="checkbox"/> Pair	
<input type="checkbox"/>	LTK23XX	E0956	Std profile bracket - Curved Pad - Each	\$194
	<input type="checkbox"/> Left		<input type="checkbox"/> Right <input type="checkbox"/> Pair	
<input type="checkbox"/>	LTK24XX	E0956	Med/High profile brkt - Flat Pad - Each	\$179
	<input type="checkbox"/> Left		<input type="checkbox"/> Right <input type="checkbox"/> Pair	
<input type="checkbox"/>	LTK25XX	E0956/E1028	E-Z Access SA brkt - Flat Pad - Each	\$367
	<input type="checkbox"/> Left		<input type="checkbox"/> Right <input type="checkbox"/> Pair	
<input type="checkbox"/>	LTK27XX	E0956/E1028	E-Z Access SA brkt - Crvd Pad - Each	\$377
	<input type="checkbox"/> Left		<input type="checkbox"/> Right <input type="checkbox"/> Pair	
<input type="checkbox"/>	LTK30XX	E0956/E1028	E-Z Access SA w/ Frnt Adj - Flat - Each	\$413
	<input type="checkbox"/> Left		<input type="checkbox"/> Right <input type="checkbox"/> Pair	
<input type="checkbox"/>	LTK34XX	E0956	Lat Thor W/ Fixed MOD brkt -Flat-Each	\$275
	<input type="checkbox"/> Left		<input type="checkbox"/> Right <input type="checkbox"/> Pair	
<input type="checkbox"/>	LTK35XX	E0956/E1028	Rear Quick Adjust (RQA) brkt -Flat- Each	\$367
	<input type="checkbox"/> Left		<input type="checkbox"/> Right <input type="checkbox"/> Pair	
<input type="checkbox"/>	LTK37XX	E0956/E1028	E-Z Access & RQA brkt -Flat- Each	\$418
	<input type="checkbox"/> Left		<input type="checkbox"/> Right <input type="checkbox"/> Pair	
<input type="checkbox"/>	LTK40XX	E0956	Reverse Offset (1.5") brkt -Flat- Each	\$219
	<input type="checkbox"/> Left		<input type="checkbox"/> Right <input type="checkbox"/> Pair	
<input type="checkbox"/>	LTK45XX	E0956/E1028	Lat Thor w/ Removable brkt -Flat- Each	\$337
	<input type="checkbox"/> Left		<input type="checkbox"/> Right <input type="checkbox"/> Pair	
<input type="checkbox"/>	LTK47XX	E0956/E1028	Removable & RQA brkt -Flat- Each	\$403
	<input type="checkbox"/> Left		<input type="checkbox"/> Right <input type="checkbox"/> Pair	

LATERAL THORACIC SUPPORT MODIFICATIONS			
<input type="checkbox"/>	MOD2550	1/4" Gel in Thoracic Support	\$51
<input type="checkbox"/>	MOD2650	1/2" T-Foam in Thoracic Support	\$41
<input type="checkbox"/>	MOD2750	1/2" Pudgee in Thoracic Support	\$51
<input type="checkbox"/>	MOD2850	1/2" SunMate in Thoracic Support	\$19
<input type="checkbox"/>	MOD2861	1" SunMate in Thoracic Support	\$19
<input type="checkbox"/>	MOD2950	Taper Front Edge of Thoracic Support	\$19
<input type="checkbox"/>	MOD3000	Replace Multi-Ply with ABS	\$12
<input type="checkbox"/>	MOD3001	Flat Metal Base up to 5x6"	\$25
<input type="checkbox"/>	MOD3011	Curved Metal Base up to 5X6"	\$25
<input type="checkbox"/>	MOD3100	Add Waterfall Foam to Thoracic Support	\$51
<input type="checkbox"/>	MOD3150	Contour-Fit Pad	\$66
<input type="checkbox"/>	MOD3175	Hinged Pad	\$168
<input type="checkbox"/>	MOD5510	Curved Lateral Pad	\$20
<input type="checkbox"/>	MOD6803	Curved Back Bracket	NC

LATERAL THORACIC ADDITIONAL HARDWARE AND COVERS			
<input type="checkbox"/>	HDW2025	1/4" Bracket Spacer	\$20
<input type="checkbox"/>	HDW2050	1/2" Bracket Spacer	\$20
<input type="checkbox"/>	HDW2521	1" Height Adapter Plate	\$33
<input type="checkbox"/>	HDW2522	2" Height Adapter Plate	\$33
<input type="checkbox"/>	HDW2523	3" Height Adapter Plate	\$33
<input type="checkbox"/>	COV2656	Lateral Bracket Fabric Cover (Ped)	\$34
<input type="checkbox"/>	COV2666	Lateral Bracket Fabric Cover (Short)	\$34
<input type="checkbox"/>	COV2657	Lateral Bracket Fabric Cover (1" Offset)	\$34
<input type="checkbox"/>	COV2667	Lateral Bracket Fabric Cover (2" Offset)	\$34

LATERAL PELVIC/HIGH SUPPORTS

LATERAL PELVIC/HIGH SUPPORT PACKAGES				
<i>Note: Pads can be built up to 5" High and 18" Long</i>				
<input type="checkbox"/>	LPK22XX	E0956	Standard profile brkt w/ Pad - Each	\$148
	<input type="checkbox"/> Left		<input type="checkbox"/> Right <input type="checkbox"/> Pair	
<input type="checkbox"/>	LPK27XX	E0956/E1028	Removable brkt w/ Pad - Each	\$321
	<input type="checkbox"/> Left		<input type="checkbox"/> Right <input type="checkbox"/> Pair	
<input type="checkbox"/>	LPK31XX	E0956	15° Med/High Prfl brkt w/ Pad - Each	\$179
	<input type="checkbox"/> Left		<input type="checkbox"/> Right <input type="checkbox"/> Pair	
<input type="checkbox"/>	LPK32XX	E0956	Med/High Profile brkt w/ Pad - Each	\$138
	<input type="checkbox"/> Left		<input type="checkbox"/> Right <input type="checkbox"/> Pair	
<input type="checkbox"/>	LPK33XX	E0956/E1028	20° Adj Rmvbl brkt w/ Pad - Each	\$367
	<input type="checkbox"/> Left		<input type="checkbox"/> Right <input type="checkbox"/> Pair	
<input type="checkbox"/>	LPK34XX	E0956	Modular Bracket w/ Pad - Each	\$235
	<input type="checkbox"/> Left		<input type="checkbox"/> Right <input type="checkbox"/> Pair	
<input type="checkbox"/>	LPK55XX	E0956	1" Reverse Offset brkt w/ Pad - Each	\$204
	<input type="checkbox"/> Left		<input type="checkbox"/> Right <input type="checkbox"/> Pair	
<input type="checkbox"/>	LPK57XX	E0956	20° Adj fixed brkt w/ Pad - Each	\$281
	<input type="checkbox"/> Left		<input type="checkbox"/> Right <input type="checkbox"/> Pair	

LATERAL PELVIC/HIGH SUPPORT MODIFICATIONS			
<input type="checkbox"/>	MOD3025	D Forward Pad Shape	NC
<input type="checkbox"/>	MOD3050	Replace Multi-Ply with ABS	\$12
<input type="checkbox"/>	MOD3055	Contoured Pelvic Supports (Anti-Thrust)	\$56
<input type="checkbox"/>	MOD3500	Waterfall Foam Pelvic Support	\$46
<input type="checkbox"/>	MOD3550	1/4" Gel in Pelvic Support	\$51
<input type="checkbox"/>	MOD3551	1/4" Gel in Long Pelvic Support	\$61
<input type="checkbox"/>	MOD3650	1/2" T-Foam in Pelvic Support	\$41
<input type="checkbox"/>	MOD3750	1/2" Pudgee in Pelvic Support	\$56
<input type="checkbox"/>	MOD3850	1/2" SunMate in Pelvic Support	\$41
<input type="checkbox"/>	MOD3861	1" SunMate in Pelvic Support	\$19
<input type="checkbox"/>	MOD3858	Distal Edge Contour	\$102
<input type="checkbox"/>	MOD3870	Mount LPK on Flat Back Surface	NC
<input type="checkbox"/>	MOD3899	Cus Foam Mod Pelvic Thigh Sup	\$61
<input type="checkbox"/>	MOD4750L	Long, Curved Pad, Pelvic/Thigh left	\$20
<input type="checkbox"/>	MOD4750R	Long, Curved Pad, Pelvic/Thigh, right	\$20

LATERAL PELVIC/HIGH/ARMREST SUPPORT PACKAGES - Each				
<i>Note: Pads can be built up to 5" High and 18" Long</i>				
<input type="checkbox"/>	LPK40XX		Fixed brkt w/ Pad - Each	\$383
	<input type="checkbox"/> Left		<input type="checkbox"/> Right <input type="checkbox"/> Pair	
<input type="checkbox"/>	LPK41XX		Removable brkt w/ Pad - Each	\$505
	<input type="checkbox"/> Left		<input type="checkbox"/> Right <input type="checkbox"/> Pair	
<input type="checkbox"/>	LPK42XX		Removable brkt & Hgt Adj w/ Pad - Each	\$587
	<input type="checkbox"/> Left		<input type="checkbox"/> Right <input type="checkbox"/> Pair	

ADDITIONAL DISTAL HARDWARE			
<input type="checkbox"/>	HDW2527	2" Distal Ext Adapter Bar	\$36
<input type="checkbox"/>	HDW2528	3" Distal Ext Adapter Bar	\$36

MEDIAL THIGH SUPPORTS

MEDIAL THIGH SUPPORT PACKAGES				
<input type="checkbox"/>	MTK10XX	E0957/E1028	MTS w/ Swing-Away brkt, 5" or 7" arm	\$479
<input type="checkbox"/>	MTK50XX	E0957/E1028	Adj height Swing-Away brkt, 2"-3"	\$530
<input type="checkbox"/>	MTK60XX	E0957/E1028	Adj height Swing-Away brkt , 3"-4.5"	\$530
<input type="checkbox"/>	MTK70XX	E0957/E1028	Adj Hideaway L Mount, 1.5"-3"	\$648
<input type="checkbox"/>	MTK72XX	E0957/E1028	Adj Hideaway T Mount, 1.5"-3"	\$648
<input type="checkbox"/>	MTK74XX	E0957/E1028	Adj Hideaway L Mount, Short	\$673
<input type="checkbox"/>	MTK76XX	E0957/E1028	Adj Hideaway L Mount, Tall	\$673
<input type="checkbox"/>	MTK93XX	E0957/E1028	Pull-Away brkt, 1.5" to 2" adj	\$561
<input type="checkbox"/>	MTK95XX	E0957/E1028	Pull-Away brkt, 2" to 3.5" adj	\$561
<input type="checkbox"/>	MTK97XX	E0957/E1028	Pull-Away brkt, 3.5" to 5.5" adj	\$561

MEDIAL THIGH SUPPORT MODIFICATIONS			
<input type="checkbox"/>	MOD3855	1/2" SunMate Foam in Medial Support	STD
<input type="checkbox"/>	MOD3856	1" SunMate Foam in Medial Support	\$49
<input type="checkbox"/>	MOD3555	1/4" Gel in Medial Support	\$133
<input type="checkbox"/>	MOD3655	1/2" T-Foam in Medial Support	\$41
<input type="checkbox"/>	MOD3755	1/2" Pudgee Foam in Medial Support	\$133

PELVIC POSITIONING BELTS

ANTERIOR PELVIC POSITIONING BELTS – SINGLE PULL				
<input type="checkbox"/>	APB6212	E0978	1.5" Side Release buckle, 7.5" Pads	\$57
<input type="checkbox"/>	APB6213	E0978	1.5" Side Release buckle, 9.5" Pads	\$57
<input type="checkbox"/>	APB6210	E0978	1.5" Side Release buckle, Non-Padded	\$36
<input type="checkbox"/>	APB7212	E0978	1.5" Push-Button buckle, Small Pads	\$88
<input type="checkbox"/>	APB7213	E0978	1.5" Push-Button buckle, Med Pads	\$88
<input type="checkbox"/>	APB7210	E0978	1.5" Push-Button buckle, Non-Padded	\$42
<input type="checkbox"/>	APB5115	E0978	Li'l Kiddos 1" Push Button, 4.5" Pads	\$92
<input type="checkbox"/>	APB5116	E0978	Li'l Kiddos 1" Push Button, 5.5" Pads	\$92
<input type="checkbox"/>	APB5117	E0978	Li'l Kiddos 1" Push Button, 7.5" Pads	\$92
<input type="checkbox"/>	APB5110	E0978	Li'l Kiddos 1" Push Button, Non-Padded	\$42
<input type="checkbox"/>	APB6111	E0978	Li'l Kiddos 1" Release buckle, 5.5" Pads	\$57
<input type="checkbox"/>	APB6112	E0978	Li'l Kiddos 1" Release buckle, 7.5" Pads	\$57
<input type="checkbox"/>	APB6110	E0978	Li'l Kiddos 1" Release buckle, Non-Pad	\$36

ANTERIOR PELVIC POSITIONING BELTS – DUAL PULL				
<input type="checkbox"/>	APB6222	E0978	1.5" Side Release buckle, Small Pads	\$57
<input type="checkbox"/>	APB6223	E0978	1.5" Side Release buckle, Med Pads	\$57
<input type="checkbox"/>	APB7221	E0978	1.5" Push-Button buckle, 5.5" Pads	\$88
<input type="checkbox"/>	APB7222	E0978	1.5" Push-Button buckle, 7.5" Pads	\$88
<input type="checkbox"/>	APB7223	E0978	1.5" Push-Button buckle, 9.5" Pads	\$88
<input type="checkbox"/>	APB5125	E0978	Li'l Kiddos 1" Push Button, 4.5" Pads	\$92
<input type="checkbox"/>	APB5126	E0978	Li'l Kiddos 1" Push Button, 5.5" Pads	\$92
<input type="checkbox"/>	APB5127	E0978	Li'l Kiddos 1" Push Button, 7.5" Pads	\$92
<input type="checkbox"/>	APB6121	E0978	Li'l Kiddos 1" Release buckle, 5.5" Pads	\$57
<input type="checkbox"/>	APB6122	E0978	Li'l Kiddos 1" Release buckle, 7.5" Pads	\$57

ANTERIOR PELVIC POSITIONING BELTS – MEDIAL 4-POINT				
<input type="checkbox"/>	APB7242	E0978	1.5" Push-Button buckle, 4.5" Pads	\$113
<input type="checkbox"/>	APB7243	E0978	1.5" Push-Button buckle, 5.5" Pads	\$113
<input type="checkbox"/>	APB7244	E0978	1.5" Push-Button buckle, 6.5" Pads	\$113
<input type="checkbox"/>	APB5145	E0978	Li'l Kiddos 1" PB buckle, 3.5" Pads	\$113
<input type="checkbox"/>	APB5146	E0978	Li'l Kiddos 1" PB buckle, 4.5" Pads	\$113

ANTERIOR PELVIC POSITIONING BELTS – 4-POINT V-Contour				
<input type="checkbox"/>	APB3716	E0978	1" Push-Button buckle	\$172
<input type="checkbox"/>	APB3727	E0978	1.5" Push-Button buckle	\$172
<input type="checkbox"/>	APB3738	E0978	2" Push-Button buckle	\$172
<input type="checkbox"/>	APB3616	E0978	1" Release buckle	\$172
<input type="checkbox"/>	APB3627	E0978	1.5" Release buckle	\$172
<input type="checkbox"/>	APB3638	E0978	2" Release buckle	\$172

ANTERIOR TRUNK SUPPORTS

ANTERIOR TRUNK SUPPORTS – CLASSIC STYLE				
<input type="checkbox"/>	ATS8100	E0960	Dynamic, X-Small	\$155
<input type="checkbox"/>	ATS8101	E0960	Dynamic, Small	\$155
<input type="checkbox"/>	ATS8102	E0960	Dynamic, Medium	\$155
<input type="checkbox"/>	ATS8103	E0960	Dynamic, Large	\$155
<input type="checkbox"/>	ATS8104	E0960	Dynamic, X-Large	\$155
<input type="checkbox"/>	ATS8107	E0960	Dynamic, Early Intervention	\$155
<input type="checkbox"/>	ATS8300	E0960	Structured, X-Small	\$155
<input type="checkbox"/>	ATS8301	E0960	Structured, Small	\$155
<input type="checkbox"/>	ATS8302	E0960	Structured, Medium	\$155
<input type="checkbox"/>	ATS8303	E0960	Structured, Large	\$155
<input type="checkbox"/>	ATS8304	E0960	Structured, X-Large	\$155

ANTERIOR TRUNK SUPPORTS – CONTOUR STYLE				
<input type="checkbox"/>	ATS9100	E0960	Dynamic, X-Small	\$155
<input type="checkbox"/>	ATS9101	E0960	Dynamic, Small	\$155
<input type="checkbox"/>	ATS9102	E0960	Dynamic, Medium	\$155
<input type="checkbox"/>	ATS9103	E0960	Dynamic, Large	\$155
<input type="checkbox"/>	ATS9104	E0960	Dynamic, X-Large	\$155
<input type="checkbox"/>	ATS9107	E0960	Dynamic, Early Intervention	\$155
<input type="checkbox"/>	ATS9300	E0960	Structured, X-Small	\$155
<input type="checkbox"/>	ATS9301	E0960	Structured, Small	\$155
<input type="checkbox"/>	ATS9302	E0960	Structured, Medium	\$155
<input type="checkbox"/>	ATS9303	E0960	Structured, Large	\$155
<input type="checkbox"/>	ATS9304	E0960	Structured, X-Large	\$155

ANTERIOR TRUNK SUPPORTS – CENTER OPENING STYLE				
<input type="checkbox"/>	ATS8807	E0960	Dynamic, Early Int - Side Rel Buckle	\$155
<input type="checkbox"/>	ATS8800	E0960	Dynamic, X-Small - Side Rel Buckle	\$155
<input type="checkbox"/>	ATS8801	E0960	Dynamic, Small - Side Rel Buckle	\$155
<input type="checkbox"/>	ATS8802	E0960	Dynamic, Medium - Side Rel Buckle	\$155
<input type="checkbox"/>	ATS8803	E0960	Dynamic, Large - Side Rel Buckle	\$155
<input type="checkbox"/>	ATS8804	E0960	Dynamic, X-Large - Side Rel Buckle	\$155
<input type="checkbox"/>	ATS8809	E0960	Dynamic, Made To Order - Side Rel Buckle	\$260
<input type="checkbox"/>	ATS9407	E0960	Structured, Early Int - Side Rel Buckle	\$155
<input type="checkbox"/>	ATS9400	E0960	Structured, X-Small - Side Rel Buckle	\$155
<input type="checkbox"/>	ATS9401	E0960	Structured, Small - Side Rel Buckle	\$155
<input type="checkbox"/>	ATS9402	E0960	Structured, Medium - Side Rel Buckle	\$155
<input type="checkbox"/>	ATS9403	E0960	Structured, Large - Side Rel Buckle	\$155
<input type="checkbox"/>	ATS9404	E0960	Structured, X-Large - Side Rel Buckle	\$155
<input type="checkbox"/>	ATS9409	E0960	Structured, Made To Order - Side Rel Buckle	\$260
<input type="checkbox"/>	ATS8701	E0960	Dynamic, Small - Zipper	\$155
<input type="checkbox"/>	ATS8702	E0960	Dynamic, Medium - Zipper	\$155
<input type="checkbox"/>	ATS8703	E0960	Dynamic, Large - Zipper	\$155
<input type="checkbox"/>	ATS8704	E0960	Dynamic, X-Large - Zipper	\$155
<input type="checkbox"/>	ATS8709	E0960	Dynamic, Made To Order - Zipper	\$260

ANTERIOR TRUNK SUPPORTS – Y STYLE				
<input type="checkbox"/>	ATS9167	E0960	Dynamic, Early Intervention	\$139
<input type="checkbox"/>	ATS9161	E0960	Dynamic, Small	\$139
<input type="checkbox"/>	ATS9162	E0960	Dynamic, Medium	\$139
<input type="checkbox"/>	ATS9163	E0960	Dynamic, Large	\$139
<input type="checkbox"/>	ATS9169	E0960	Dynamic, Made To Order	\$260
<input type="checkbox"/>	ATS9367	E0960	Structured, Early Intervention	\$139
<input type="checkbox"/>	ATS9361	E0960	Structured, Small	\$139
<input type="checkbox"/>	ATS9362	E0960	Structured, Medium	\$139
<input type="checkbox"/>	ATS9363	E0960	Structured, Large	\$139
<input type="checkbox"/>	ATS9369	E0960	Structured, Made To Order	\$260

ANTERIOR TRUNK SUPPORTS – BACK PACK STYLE				
<input type="checkbox"/>	ATS9601	E0960	Dynamic, 12"	\$139
<input type="checkbox"/>	ATS9603	E0960	Dynamic, 18"	\$139
<input type="checkbox"/>	ATS9609	E0960	Dynamic, Made To Order	\$260
<input type="checkbox"/>	ATS9701	E0960	Structured, 12"	\$139
<input type="checkbox"/>	ATS9703	E0960	Structured, 18"	\$139
<input type="checkbox"/>	ATS9709	E0960	Structured, Made To Order	\$260

ANTERIOR TRUNK SUPPORTS – TRUNK STRAP				
<input type="checkbox"/>	ATS4050	E0960	X-Small	\$144
<input type="checkbox"/>	ATS4000	E0960	Small	\$144
<input type="checkbox"/>	ATS4100	E0960	Medium	\$144
<input type="checkbox"/>	ATS4200	E0960	Large	\$144
<input type="checkbox"/>	ATS4300	E0960	X-Large	\$144
<input type="checkbox"/>	ATS4900	E0960	Made To Order	\$260

ANTERIOR TRUNK SUPPORTS – STRAP GUIDES				
<input type="checkbox"/>	HDW6900		STRAP POSITIONER - EACH	\$36

LOWER BODY POSITIONING

KNEE POSITIONING			
<input type="checkbox"/>	KPG10XX	E0953	Knee Pos Blocks, + Pullaway Hardware \$505
<input type="checkbox"/>	KPG19XX	E0953	Knee Pos Blocks, Made To Order + Hardwa \$560
<input type="checkbox"/>	KAK31XXL	E0953/E1028	Knee Add PKG Swing Away Long L \$362
<input type="checkbox"/>	KAK31XXR	E0953/E1028	Knee Add PKG Swing Away Long R \$362
<input type="checkbox"/>	KAK21XXL	E0953/E1028	Knee Add PKG Swing Away Short L \$362
<input type="checkbox"/>	KAK21XXR	E0953/E1028	Knee Add PKG Swing Away Short R \$362
<input type="checkbox"/>	KAD10XX	E0953	Knee Adductor Pad 3" Round \$56
<input type="checkbox"/>	KAD11XX	E0953	Knee Adductor Pad 4" Round \$56
<input type="checkbox"/>	KAD19XX	E0953	Knee Adductor Pad Made To Order \$120
<input type="checkbox"/>	HDW4851	E1028	Knee Add brkt Swing Away Long L \$393
<input type="checkbox"/>	HDW4852	E1028	Knee Add brkt Swing Away Long R \$393
<input type="checkbox"/>	HDW4853	E1028	Knee Add brkt Swing Away Short L \$393
<input type="checkbox"/>	HDW4854	E1028	Knee Add brkt Swing Away Short R \$393

FOOT BOXES			
<input type="checkbox"/>	TST7014L	E0954	Single Foot Box, Std, 14" W/C (left leg) \$326
<input type="checkbox"/>	TST7014R	E0954	Single Foot Box, Std, 14" W/C (right leg) \$326
<input type="checkbox"/>	TST7016L	E0954	Single Foot Box, Std, 16" W/C (left leg) \$326
<input type="checkbox"/>	TST7016R	E0954	Single Foot Box, Std, 16" W/C (right leg) \$326
<input type="checkbox"/>	TST7018L	E0954	Single Foot Box, Std, 18" W/C (left leg) \$326
<input type="checkbox"/>	TST7018R	E0954	Single Foot Box, Std, 18" W/C (right leg) \$326
<input type="checkbox"/>	TST7114	E0954	Full Width Ft Box, Std, 14" W/C (1 pc) \$530
<input type="checkbox"/>	TST7116	E0954	Full Width Ft Box, Std, 16" W/C (1 pc) \$530
<input type="checkbox"/>	TST7118	E0954	Full Width Ft Box, Std, 18" W/C (1 pc) \$350

FLEXI FEET			
<input type="checkbox"/>	32600XS-RT	E0951/E0952	Flexi-Feet System Xtra Small - Pair \$220
<input type="checkbox"/>	32600S-RT	E0951/E0952	Flexi-Feet System Small - Pair \$220
<input type="checkbox"/>	32600M-RT	E0951/E0952	Flexi-Feet System Medium - Pair \$220
<input type="checkbox"/>	32600L-RT	E0951/E0952	Flexi-Feet System Large - Pair \$220

SHOE HOLDERS			
<input type="checkbox"/>	TST6001	E0951/E0952	Shoe Holder padded buckles Small \$72
<input type="checkbox"/>	TST6101	E0951/E0952	Shoe Holder padded buckles Medium \$72
<input type="checkbox"/>	TST6201	E0951/E0952	Shoe Holder padded buckles Large \$72
<input type="checkbox"/>	TST6301	E0951/E0952	Shoe Holder padded buckles X-Large \$72
<input type="checkbox"/>	TST6000	E0951/E0952	Shoe Holder non-padded buckles Small \$65
<input type="checkbox"/>	TST6100	E0951/E0952	Shoe Holder non-padded buckles Med \$65
<input type="checkbox"/>	TST6200	E0951/E0952	Shoe Holder non-padded buckles Large \$65
<input type="checkbox"/>	TST6300	E0951/E0952	Shoe Holder non-padded buckles XL \$65

SHOE HOLDERS with TENDON RELIEF			
<input type="checkbox"/>	TST6061	E0951/E0952	Shoe Holder padded buckles Small \$73
<input type="checkbox"/>	TST6161	E0951/E0952	Shoe Holder padded buckles Medium \$73
<input type="checkbox"/>	TST6261	E0951/E0952	Shoe Holder padded buckles Large \$73
<input type="checkbox"/>	TST6361	E0951/E0952	Shoe Holder padded buckles X-Large \$73

FOOT and ANKLE POSITIONING			
<input type="checkbox"/>	TST6510L	E0951/E0952	Foot & Ankle Positioner Small Left \$93
<input type="checkbox"/>	TST6510R	E0951/E0952	Foot & Ankle Positioner Small Right \$93
<input type="checkbox"/>	TST6520L	E0951/E0952	Foot & Ankle Positioner Medium Left \$93
<input type="checkbox"/>	TST6520R	E0951/E0952	Foot & Ankle Positioner Medium Right \$93
<input type="checkbox"/>	TST6540L	E0951/E0952	Foot & Ankle Positioner Large Left \$93
<input type="checkbox"/>	TST6540R	E0951/E0952	Foot & Ankle Positioner Large Right \$93
<input type="checkbox"/>	TST6560L	E0951/E0952	Foot & Ankle Positioner X-Large Left \$93
<input type="checkbox"/>	TST6560R	E0951/E0952	Foot & Ankle Positioner X-Large Right \$93

ANKLE POSITIONING			
<input type="checkbox"/>	TST6501L	E0951	Ankle Positioner Xtra Small Left \$72
<input type="checkbox"/>	TST6501R	E0951	Ankle Positioner Xtra Small Right \$72
<input type="checkbox"/>	TST6511L	E0951	Ankle Positioner Small Left \$72
<input type="checkbox"/>	TST6511R	E0951	Ankle Positioner Small Right \$72
<input type="checkbox"/>	TST6521L	E0951	Ankle Positioner Medium Left \$72
<input type="checkbox"/>	TST6521R	E0951	Ankle Positioner Medium Right \$72
<input type="checkbox"/>	TST6541L	E0951	Ankle Positioner Large Left \$72
<input type="checkbox"/>	TST6541R	E0951	Ankle Positioner Large Right \$72
<input type="checkbox"/>	TST6561L	E0951	Ankle Positioner Extra-Large Left \$72
<input type="checkbox"/>	TST6561R	E0951	Ankle Positioner Extra-Large Right \$72

UPPER BODY POSITIONING

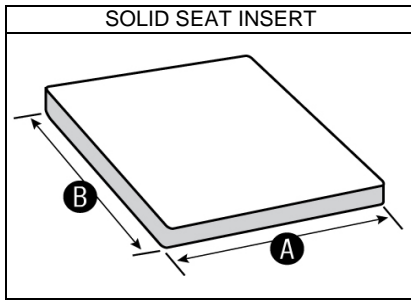
TRAYS			
<input type="checkbox"/>	WCT1005	E0950	Wooden Support Platform, X-Small \$280
<input type="checkbox"/>	WCT1000	E0950	Wooden Support Platform, Small \$280
<input type="checkbox"/>	WCT2000	E0950	Wooden Support Platform, Medium \$280
<input type="checkbox"/>	WCT3000	E0950	Wooden Support Platform, Large \$280
<input type="checkbox"/>	WCT4000	E0950	Wooden Support Platform, X-Large \$280
<input type="checkbox"/>	WCT5005	E0950	Lexan Support Platform, X-Small \$290
<input type="checkbox"/>	WCT5000	E0950	Lexan Support Platform, Small \$290
<input type="checkbox"/>	WCT6000	E0950	Lexan Support Platform, Medium \$290
<input type="checkbox"/>	WCT7000	E0950	Lexan Support Platform, Large \$290
<input type="checkbox"/>	WCT8000	E0950	Lexan Support Platform, X-Large \$290
<input type="checkbox"/>	WCT9000	E0950	Made To Order Support Platform \$530

TRAY MOUNTING HARDWARE			
<input type="checkbox"/>	THW1000		Toggle Hardware \$62
<input type="checkbox"/>	THW2000		Slide Tube Hardware \$184
<input type="checkbox"/>	THW3000		Birch Runners \$42
<input type="checkbox"/>	THW3100		S-Style Runners, ABS \$42
<input type="checkbox"/>	THW3210		Slotted Channel Runners, ABS \$46
<input type="checkbox"/>	THW3700		Top Drop Platform \$122
<input type="checkbox"/>	THW4500		Angle-Cam Hardware \$62

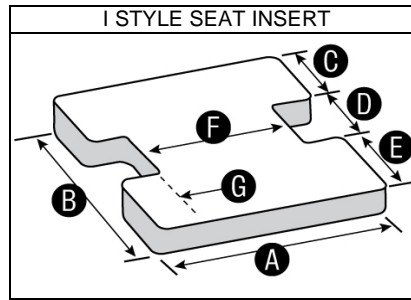
PLATFORM ACCESSORIES			
<input type="checkbox"/>	TAC11XX		Platform Padding, Removable Cover \$326
<input type="checkbox"/>	TAC4100L		Joystick Cutout, Left \$66
<input type="checkbox"/>	TAC4100R		Joystick Cutout, Right \$66
<input type="checkbox"/>	TAC4175		Platform Cutout, Personalized \$85
<input type="checkbox"/>	THW6000		Strap with Release Buckle \$52

NOTES			

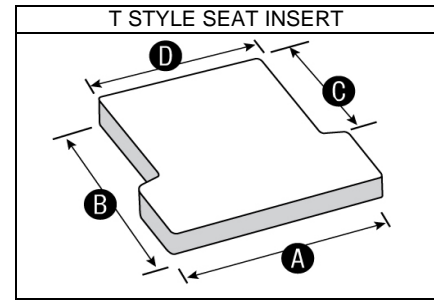
SEAT DIMENSIONS Specifications



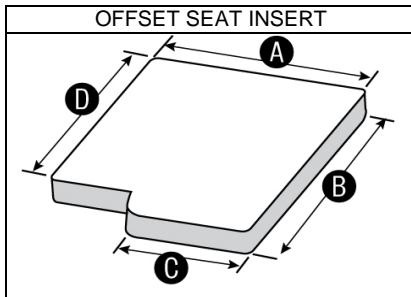
A		B	
---	--	---	--



A		E	
B		F	
C		G	
D			

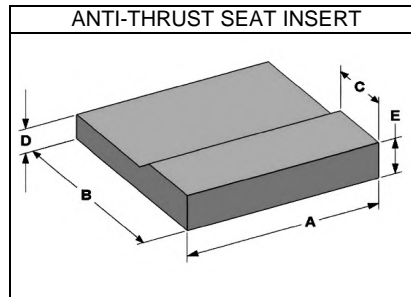


A		C	
B		D	

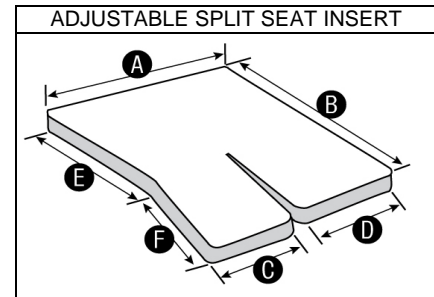


- Long Left Side
- Long Right Side

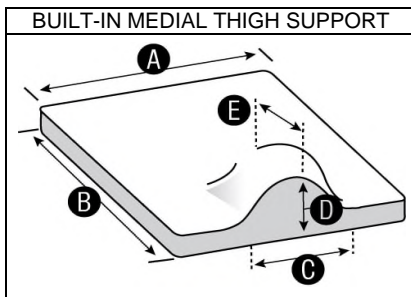
A		C	
B		D	



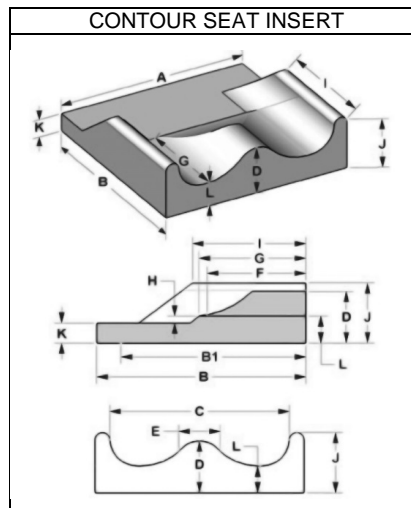
A		D	
B		E	
C			



A		D	
B		E	
C		F	

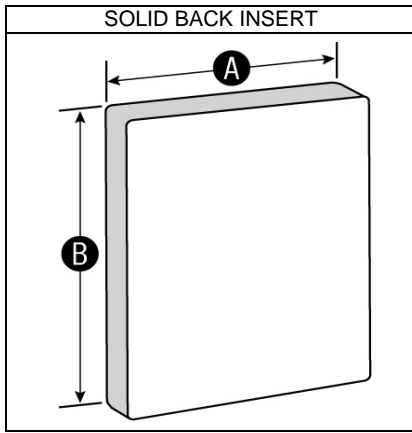


A		D	
B		E	
C			

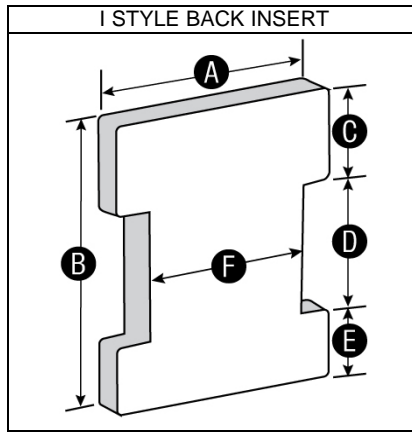


A		G	
B		H	
C		I	
D		J	
E		K	
F		L	

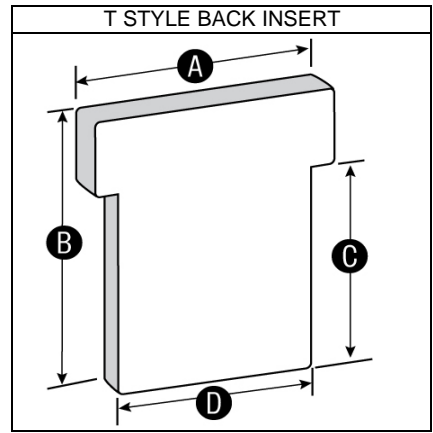
BACK DIMENSIONS Specifications



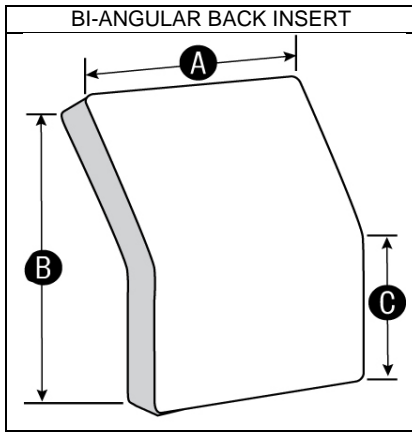
A		B	
---	--	---	--



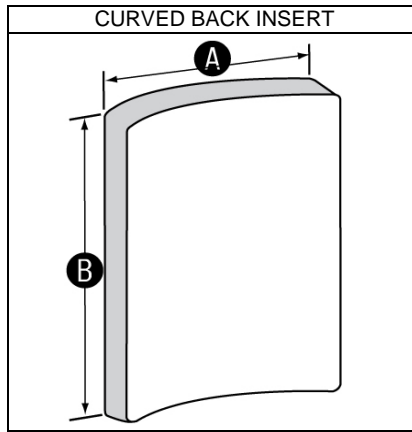
A		D	
B		E	
C		F	



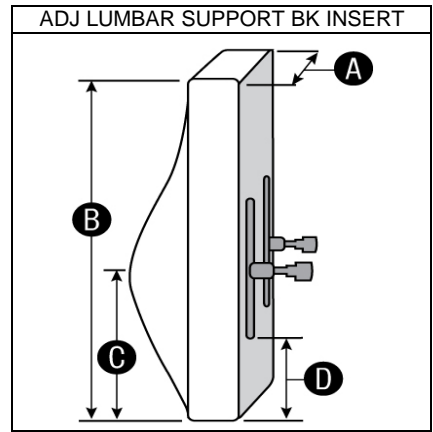
A		C	
B		D	



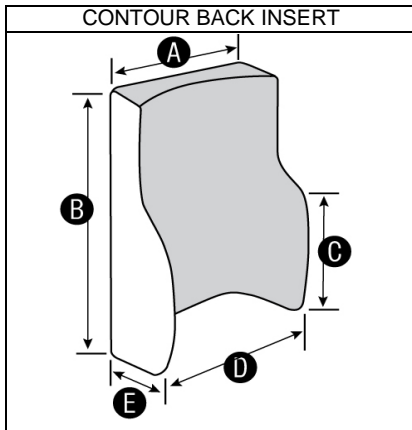
A		C	
B			



A		B	
---	--	---	--



A		C	
B		D	



A		D	
B		E	
C			



Sunrise Medical (US) LLC
2842 Business Park Ave. · Fresno, CA 93727 · USA