



Zippie TS
January 2022
 EIZ1A

Date: _____ Dealer Acct #: _____ Dealer: _____ Dealer Contact: _____ Dealer Address: _____ Dealer City: _____ ST: _____ ZIP: _____ Dealer Phone: () _____ Fax: () _____ Confirm Via: <input type="checkbox"/> Fax <input type="checkbox"/> Email Mark For: _____	SUBMITTING FOR: <input type="checkbox"/> Quote <input type="checkbox"/> Order PO#: _____ Ship To: _____ Attention: _____ Address: _____ Address: _____ Ship To City: _____ ST: _____ ZIP: _____ Ship To Phone: () _____ Fax: () _____
--	---

The HCPCS CODES herein are based on PDAC verification or interpretation of Medicare definitions and guidelines. Non-Medicare payers may accept alternative HCPCS CODES, including misc. codes to ensure access for their enrollees. The use of HCPCS CODES does not ensure coverage or payment.

✓	Option #	HCPCS	Definition	Price	✓	Option #	HCPCS	Definition	Price
ZIPPIE TS									

1. FRAME

All Zippie TS models grow in width and depth.

Base Models			
<input type="checkbox"/>	187WM63	E1234	Folding Growing Zippie TS Without Seating Transit Included (includes True Fit) \$3,215
<input type="checkbox"/>	187WM65	E1234	Folding Growing Zippie TS Without Seating Transit Optional (includes True Fit) \$3,060
<input type="checkbox"/>	187WM64	E1233	Rigid Growing Zippie TS Without Seating Transit Included (includes True Fit) \$3,087
<input type="checkbox"/>	187WM66	E1233	Rigid Growing Zippie TS Without Seating Transit Optional (includes True Fit) \$2,926
<input type="checkbox"/>	187F02		Additional Rigid Strut Tube NC

Note: HCPCS Codes shown as submitted. Some sizes fit other HCPCS codes i.e. 15"-18" widths = E1161

Transit System (For use when Transit Optional is selected)

Tie Down Requires: Solid Seat and Solid Back or Growing Seat Pan and JAY Fit or Conventional Seat and Back or Growing Seat Pan and Solid Back or JAY Fit and/or Conventional Seat & Back

<input type="checkbox"/>	187TO12	K0108	Transit Optional Seating (Req. Selection of Seat & Back) \$270
<input type="checkbox"/>	187TO11	K0108	Transit Optional w/o Seating \$270
<input type="checkbox"/>	187TO20		Transit Omit N/C

Tilt Options

<input type="checkbox"/>	187TT12		Dual Trigger Cable Release NC
<input type="checkbox"/>	187VZ01		Crisscross Cables (cables are longer individually) NC
<input type="checkbox"/>	187VZ02		Non-crisscross Std
<input type="checkbox"/>	187TT8		Cable Foot Release (may limit folding width) NC

2. SIZE/SEATING

Frame Width

<input type="checkbox"/>	187W25	Small Cross Brace	NC
<input type="checkbox"/>	187S1	10"	NC
<input type="checkbox"/>	187S2	11"	NC
<input type="checkbox"/>	187S3	12"	NC
<input type="checkbox"/>	187W26	Medium Cross Brace	NC
<input type="checkbox"/>	187S3	12"	NC
<input type="checkbox"/>	187S4	13"	NC
<input type="checkbox"/>	187S5	14"	NC
<input type="checkbox"/>	187W27	Large Cross Brace	NC
<input type="checkbox"/>	187S5	14"	NC
<input type="checkbox"/>	187S6	15"	NC
<input type="checkbox"/>	187S7	16"	NC
<input type="checkbox"/>	187W28	X-Large Cross Brace	NC
<input type="checkbox"/>	187S7	16"	NC
<input type="checkbox"/>	187S8	17"	NC
<input type="checkbox"/>	187S9	18"	NC

Frame Depth and Back Post Location

<input type="checkbox"/>	187FD4	13" Frame Depth	NC
<input type="checkbox"/>	187FD5	14" Frame Depth	NC
<input type="checkbox"/>	187FD6	15" Frame Depth	NC
<input type="checkbox"/>	187FD7	16" Frame Depth	NC
<input type="checkbox"/>	187FD8	17" Frame Depth	NC
<input type="checkbox"/>	187FD9	18" Frame Depth	NC
<input type="checkbox"/>	187FD10	19" Frame Depth (uses rear frame extension plug)	NC
<input type="checkbox"/>	187FD36	20" Frame Depth (uses rear frame extension plug)	NC

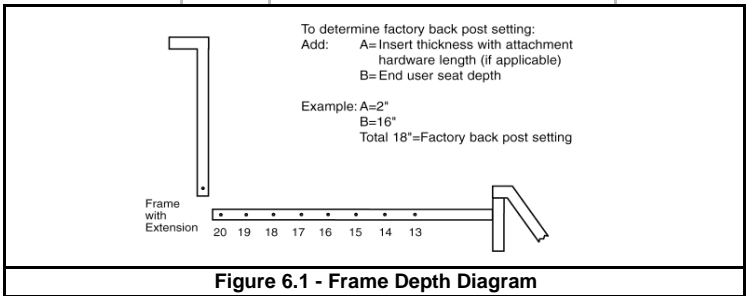


Figure 6.1 - Frame Depth Diagram

Units are in inches.

2. SIZE/SEATING CONT.

Seats				
<input type="checkbox"/>	187ST55	E2231	Solid Seat <i>(Requires Solid Back, N/A w/ 10"-13" Wide x 19"-20" Frame Depth or 17"-18" Wide x 13"-17" Frame Depth)</i>	\$215
<input type="checkbox"/>	187ST14	E2231	Growing Seat Pan Depth (Fig. 7.1)	\$215
<input type="checkbox"/>	187ST5		Omit Seat	Std

JAY Cushions (Optional)

To order any JAY cushions on-chair, please see the JAY price list. Cushion name or part number must be filled out with desired width and depth.

JAY Bundled Cushion			
<input type="checkbox"/>	187JC20	Name / Part #	Price List
		Width (in.):	Depth (in.)

REFERENCE ONLY

Seat Depth Pan Size	Depth Range	
	Minimum	Maximum
Medium 13"-14"	11-3/4"	16-1/4"
Long 15"-17"	13-3/4"	18-1/4"
X-Long 18"-20"	15-3/4"	20-1/4"

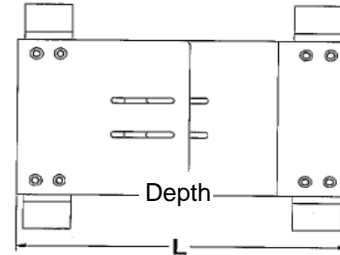


Figure 7.1 - Frame Depth Growth Range Matrix

3. CASTERS

Caster Wheel

Some interference may occur when choosing 8" Caster w/ Z-Finity

<input type="checkbox"/>	187CW30		3" Micro Light Up	\$69
<input type="checkbox"/>	187CW31		4" Micro Light Up	\$75
<input type="checkbox"/>	187CW51		5" Micro Light Up	\$92
<input type="checkbox"/>	187CW5		5" Low-Profile Polyurethane	STD
<input type="checkbox"/>	187CW7	E2219	5" x 1.5" Semi-Pneumatic	\$92
<input type="checkbox"/>	187CW33	E2214 E2215	6" Pneumatic	\$81
<input type="checkbox"/>	187CW34		6" Polyurethane	NC
<input type="checkbox"/>	187CW35	E2219	6" x 1.5" Semi-Pneumatic	\$92
<input type="checkbox"/>	187CW21	E2214 E2215	8" Pneumatic	\$92
<input type="checkbox"/>	187CW32		8" Polyurethane	NC
<input type="checkbox"/>	187CW39	E2219	8" x 1.5" Semi-Pneumatic	\$92
<input type="checkbox"/>	187CW36	E2214 E2215	8" x 2" Pneumatic	\$156
<input type="checkbox"/>	187CW37	E2214 K0108	8" x 2" Pneumatic w/ Airless Insert	\$242

Caster Options

<input type="checkbox"/>	187CS3	K0073	Caster Pin Locks <i>(N/A with 8" x 2" and 8" x 1.5" casters)</i>	\$209
--------------------------	--------	-------	---	-------

CASTER SIZE

Rear Wheel Size	CASTER SIZE							
	<input type="checkbox"/> 3"	<input type="checkbox"/> 4"	<input type="checkbox"/> 5"	<input type="checkbox"/> 6"	<input type="checkbox"/> 8"x1"	<input type="checkbox"/> 8"x1.5"	<input type="checkbox"/> 8"x2"	
<input type="checkbox"/> 12"	<input type="checkbox"/> 17.0"	<input type="checkbox"/> 16.5"	<input type="checkbox"/> 16.5"	<input type="checkbox"/> 17.0"	N/A	N/A	N/A	
	<input type="checkbox"/> 17.5"	<input type="checkbox"/> 17.0"	<input type="checkbox"/> 17.0"	<input type="checkbox"/> 17.5"	N/A	N/A	N/A	
<input type="checkbox"/> 12" Low Poly	N/A	<input type="checkbox"/> 17.5"	<input type="checkbox"/> 17.5"	N/A	<input type="checkbox"/> 18.5"	<input type="checkbox"/> 18.0"	<input type="checkbox"/> 18.5"	
	<input type="checkbox"/> 16.0"	<input type="checkbox"/> 16.0"	<input type="checkbox"/> 16.0"	<input type="checkbox"/> 16.5"	N/A	N/A	N/A	
<input type="checkbox"/> 16"	<input type="checkbox"/> 16.5"	<input type="checkbox"/> 16.5"	<input type="checkbox"/> 16.5"	N/A	N/A	N/A	N/A	
	<input type="checkbox"/> 15.5"	<input type="checkbox"/> 15.5"	<input type="checkbox"/> 15.5"	N/A	N/A	N/A	N/A	
<input type="checkbox"/> 18"	<input type="checkbox"/> 18.0"	<input type="checkbox"/> 18.0"	<input type="checkbox"/> 18.0"	<input type="checkbox"/> 18.0"	<input type="checkbox"/> 18.5"	<input type="checkbox"/> 18.0"	<input type="checkbox"/> 18.5"	
	<input type="checkbox"/> 18.5"	<input type="checkbox"/> 18.5"	<input type="checkbox"/> 18.5"	<input type="checkbox"/> 18.5"	<input type="checkbox"/> 19.0"	<input type="checkbox"/> 18.5"	N/A	
<input type="checkbox"/> 18"	<input type="checkbox"/> 15.5"	<input type="checkbox"/> 15.5"	<input type="checkbox"/> 15.5"	N/A	N/A	N/A	N/A	
	<input type="checkbox"/> 16.0"	<input type="checkbox"/> 16.0"	<input type="checkbox"/> 16.0"	<input type="checkbox"/> 16.5"	N/A	N/A	N/A	
<input type="checkbox"/> 20"	<input type="checkbox"/> 16.5"	<input type="checkbox"/> 16.5"	<input type="checkbox"/> 16.5"	N/A	N/A	N/A	N/A	
	<input type="checkbox"/> 17.0"	<input type="checkbox"/> 17.0"	<input type="checkbox"/> 17.0"	<input type="checkbox"/> 17.0"	<input type="checkbox"/> 18.5"	<input type="checkbox"/> 18.0"	<input type="checkbox"/> 18.5"	
<input type="checkbox"/> 20"	<input type="checkbox"/> 17.5"	<input type="checkbox"/> 17.5"	<input type="checkbox"/> 17.5"	<input type="checkbox"/> 17.5"	N/A	N/A	N/A	
	<input type="checkbox"/> 18.0"	<input type="checkbox"/> 18.0"	<input type="checkbox"/> 18.0"	<input type="checkbox"/> 18.0"	<input type="checkbox"/> 18.5"	<input type="checkbox"/> 18.5"	<input type="checkbox"/> 19.0"	
<input type="checkbox"/> 22"	<input type="checkbox"/> 18.5"	<input type="checkbox"/> 18.5"	<input type="checkbox"/> 18.5"	<input type="checkbox"/> 18.5"	<input type="checkbox"/> 19.0"	<input type="checkbox"/> 19.0"	N/A	
	N/A	<input type="checkbox"/> 19.0"	<input type="checkbox"/> 19.0"	<input type="checkbox"/> 19.0"	<input type="checkbox"/> 19.5"	N/A	N/A	
<input type="checkbox"/> 24"	<input type="checkbox"/> 16.5"	<input type="checkbox"/> 16.5"	<input type="checkbox"/> 16.5"	<input type="checkbox"/> 16.5"	N/A	N/A	N/A	
	<input type="checkbox"/> 17.0"	<input type="checkbox"/> 17.0"	<input type="checkbox"/> 17.0"	<input type="checkbox"/> 17.0"	N/A	N/A	N/A	
<input type="checkbox"/> 24"	<input type="checkbox"/> 17.5"	<input type="checkbox"/> 17.5"	<input type="checkbox"/> 17.5"	<input type="checkbox"/> 17.5"	N/A	N/A	N/A	
	<input type="checkbox"/> 18.0"	<input type="checkbox"/> 18.0"	<input type="checkbox"/> 18.0"	<input type="checkbox"/> 18.0"	<input type="checkbox"/> 18.5"	<input type="checkbox"/> 18.0"	N/A	
<input type="checkbox"/> 24"	<input type="checkbox"/> 18.5"	<input type="checkbox"/> 18.5"	<input type="checkbox"/> 18.5"	<input type="checkbox"/> 18.5"	<input type="checkbox"/> 18.5"	<input type="checkbox"/> 18.5"	<input type="checkbox"/> 18.5"	
	N/A	<input type="checkbox"/> 19.0"	<input type="checkbox"/> 19.0"	<input type="checkbox"/> 19.0"	<input type="checkbox"/> 19.0"	<input type="checkbox"/> 19.0"	<input type="checkbox"/> 19.0"	
<input type="checkbox"/> 24"	<input type="checkbox"/> 19.0"	<input type="checkbox"/> 19.0"	<input type="checkbox"/> 19.0"	<input type="checkbox"/> 19.0"	<input type="checkbox"/> 19.5"	<input type="checkbox"/> 19.5"	<input type="checkbox"/> 20.0"	
	N/A	N/A	N/A	<input type="checkbox"/> 20.0"	<input type="checkbox"/> 20.0"	<input type="checkbox"/> 20.0"	N/A	

Chart A - Seat to Floor Height Matrix

Note: Rear seat-to-floor ht. may be up to 1.5" lower than front seat-to-floor ht.

4. REAR WHEELS / SEAT HEIGHT

Rear Wheel Size			
<input type="checkbox"/>	187RW13	12" Mag (N/A with handrims)	STD
<input type="checkbox"/>	187RW14	16" Mag (N/A with handrims)	NC
<input type="checkbox"/>	187RW3	20" Mag	NC
<input type="checkbox"/>	187RW8	22" Mag	NC
<input type="checkbox"/>	187RW1	24" Mag	NC
<input type="checkbox"/>	187RW12	18" Spoke	\$107
<input type="checkbox"/>	187RW90	20" Lite Spoke	\$215
<input type="checkbox"/>	187RW91	22" Lite Spoke	\$215
<input type="checkbox"/>	187RW54	24" Lite Spoke	\$215

Rear Wheel Tire			
<input type="checkbox"/>	187RT1	E2211 E2212	Pneumatic \$92
<input type="checkbox"/>	187RT2	E2211 E2213	Pneumatic Airless Insert \$92
<input type="checkbox"/>	187RT3		Full Polyurethane (N/A w/ 12", 16", and 18" rear wheels) NC
<input type="checkbox"/>	187RT4		Low Polyurethane (Only available with 12" or 24" wheels) NC
<input type="checkbox"/>	187RT6	E2211 E2212	High Pressure Clincher (Only available with 24" spoke wheels) \$102

Handrim			
<input type="checkbox"/>	187HR1		Aluminum Anodized NC
<input type="checkbox"/>	187HR4		Plastic Coated \$118
<input type="checkbox"/>	187HR7		Omit (N/A with wheel/axle credit) NC

Projections (N/A on Plastic Coated)			
<i>*Only available with 24" wheels & N/A with spoke guards.</i>			
<input type="checkbox"/>	187HR8		8 Oblique \$349

Axle			
<input type="checkbox"/>	187AX26		One-Arm Drive Axle (Only avail. w/ One-Arm Drive Option) STD
<input type="checkbox"/>	187AX1		Quick Release NC
<input type="checkbox"/>	187AX11		Quad Quick Release (N/A with Lite Spokes) \$135

Axle Plate			
<input type="checkbox"/>	187AL18		12" Rear Wheel Axle Plate (Only avail. w/ 12" or 16" rear wheels) STD
<input type="checkbox"/>	187AL34		Short Adjustable (N/A with 12" rear wheels) NC
<input type="checkbox"/>	187AL35		Long Adjustable (N/A with 12" rear wheels) NC
<input type="checkbox"/>	187AL17	E0958	One Arm Drive (Avail. w/ 20", 22", 24" Mag Rear Wheels & 13"-18" width) \$966
<input type="checkbox"/>	187OA2		Standard Handrim NC
<input type="checkbox"/>	187HM1		Right NC
<input type="checkbox"/>	187HM2		Left NC
<input type="checkbox"/>	187OA1		Small Handrim (N/A w/ 20" wheels) NC
<input type="checkbox"/>	187HM1		Right NC
<input type="checkbox"/>	187HM2		Left NC

5. WHEEL LOCK / HUB LOCK

Wheel Lock			
<i>Wheel Locks can be ordered in combination with Hub Lock option</i>			
<input type="checkbox"/>	187WL1		High Mount Push NC
<input type="checkbox"/>	187WL2		High Mount Pull NC
<input type="checkbox"/>	187WL25		Foot Lock (may limit folding width) NC
<input type="checkbox"/>	187WL10		Omit NC

Hub Lock			
<i>*Only available with 12" or 16" wheels. Not avail. w/ One-Arm Drive.</i>			
<input type="checkbox"/>	187LK01		12" Hub Lock \$107
<input type="checkbox"/>	187LK02		16" Hub Lock \$107

Extension Handle			
<input type="checkbox"/>	187EH1	E0961	6" Pair \$81

6. FOOTRESTS

Hanger Mounted Footrest (Footplates Mount to Hanger Tubing)

Hanger Type

<input type="checkbox"/>	187H140		70° Swing In/Out Front Mount	NC
<input type="checkbox"/>	187H142		80° Swing In/Out Front Mount	NC
<input type="checkbox"/>	187H158		90° Swing In/Out Front Mount	NC
<input type="checkbox"/>	187H9		70° HD Front Mount Lift-Off	NC
<input type="checkbox"/>	187H10		80° HD Front Mount Lift-Off	NC
<input type="checkbox"/>	187H11		90° HD Front Mount Lift-Off	NC
<input type="checkbox"/>	187H161	E0990	90° Elevating (N/A w/ 10"-11" Wide or Z-Finity)	\$338

Extensions (may interfere with some seat heights & casters)

<input type="checkbox"/>	187E23		2" (not mounted)	\$59
<input type="checkbox"/>	187E24		4" (not mounted)	\$59

Footplate

<input type="checkbox"/>	187F9	K0040	Kids Angle Adjustable (N/A w/ 17"-18" widths)	\$199
<input type="checkbox"/>	187F8	K0040	Adult Angle Adj. (Available with 10"-18" widths)	\$199
<input type="checkbox"/>	187F62	K0040	Footboard (Available with 10"-16" widths)	\$204

Ext. Tube Mounted Footrests (Footplates Mount to Ext. Tube)

Hanger Type

<input type="checkbox"/>	187H145		60° Swing In/Out	NC
<input type="checkbox"/>	187H139		70° Swing In/Out	STD
<input type="checkbox"/>	187H141		80° Swing In/Out	STD
<input type="checkbox"/>	187H159	K0053	Articulating (N/A w/ 10"-13" composite footplates)	\$397
<input type="checkbox"/>	187H160	E0990	Elevating (N/A w/ composite or platform footplates, or <16" width)	\$338

Extensions

<input type="checkbox"/>	187E1		Short (11.5" - 14")	NC
<input type="checkbox"/>	187E2		Med (14" - 17") - (N/A w/ ELR)	NC
<input type="checkbox"/>	187E5		Long (17" - 19")	NC
<input type="checkbox"/>	187E16		High Mount	\$81

Footplate

<input type="checkbox"/>	187F1		Composite (N/A In 10", 11" or 12" width)	STD
<input type="checkbox"/>	187F3	K0040	Aluminum Angle Adjustable	\$199
<input type="checkbox"/>	187F4	K0040	Kids Angle Adjustable (N/A w/17"-18" width)	\$199
<input type="checkbox"/>	187F5		Aluminum (Only available with elevating leg rests 14"-18")	NC
<input type="checkbox"/>	187F48	K0040	Platform Flip-Up (Available on 60°, 70°, and 80° ext. mount hangers only)	\$204

Articulating / Elevating Hanger Cover

<input type="checkbox"/>	187DI47		Neoprene Cover	\$365
<input type="checkbox"/>	187DI48		Gel Pad Cover	\$429

Z-Finity Hangers/Footrest System

Some interference may exist in certain configurations.

<input type="checkbox"/>	187H162		Z-Finity Hanger	STD
--------------------------	---------	--	-----------------	-----

Z-Finity Footrest Mount (Must Chose see Illustration in appendix)

<input type="checkbox"/>	187DI22		Direct Hanger Mt/Fixed Frame - High	NC
<input type="checkbox"/>	187DI23		Direct Hanger Mt/Fixed Frame - Low	NC
<input type="checkbox"/>	187DI24		Extension Tube Mount	NC

Z-Finity Footrest Pivot Arm

(Must Choose, use matrix in appendix for leg length)

<input type="checkbox"/>	187DI20		Short 2"	NC
<input type="checkbox"/>	187DI21		Long 3-1/4"	NC

Z-Finity Footplate

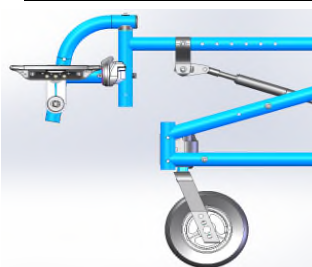
Some interference may exist in certain configurations.

<input type="checkbox"/>	187F320	K0040	Multi Angle Adjustable - Pair (N/A w/ 8"-9" widths)	\$199
<input type="checkbox"/>	187F321	K0040	Angle Adjustable Platform Footboard	\$161
<input type="checkbox"/>	187F6		Omit Footplate	NC

Z-Finity Extension Tube Length (When Choosing Ext. Tube Mount)

<input type="checkbox"/>	187E62		Hemi	NC
<input type="checkbox"/>	187E1		Short	NC
<input type="checkbox"/>	187E2		Medium	NC
<input type="checkbox"/>	187E5		Long	NC

Direct Hanger Mount



Extension Tube Mount



Direct Hanger Mounted

Footrest Adaptor	Hanger Mounting Position	Min	Max
		Short	High Mount
	Low Mount	2.0"	6.3"
Long	High Mount	-2.5"	4.3"
	Low Mount	0.8"	7.5"

Extension Tube Mounted

Footrest Adaptor	Extension Tube Length	Min	Max
		Short	Hemi Short
	Short	5.3"	13.0"
	Medium	7.0"	15.0"
	Long	9.0"	17.0"
Long	Hemi Short	3.0"	13.3"
	Short	4.5"	14.3"
	Medium	6.0"	16.3"
	Long	8.0"	18.3"

Footrest Hanger Options

<input type="checkbox"/>	187IG2		Neoprene Covers (Avail. On 60° / 70°/80° ext. mount hangers only and Z-Finity except in highest mounted position).	\$97
<input type="checkbox"/>	187HL1	E0951	Heel Loops (N/A w/ Z-Finity widths below 14")	\$43
<input type="checkbox"/>	187A110	E0952	Toe Loop (Only avail. w/ adult angle adjust. Footplates N/A w/ Z-Finity)	\$43
<input type="checkbox"/>	187HL5	K0038	Leg Strap	\$43
<input type="checkbox"/>	187A55		Extra Leg Strap	\$38
<input type="checkbox"/>	187H32		Omit Hanger	-\$15
<input type="checkbox"/>	187F7		Omit Footplate & Ext. Tube	-\$15
<input type="checkbox"/>	187HL4		Omit Heel Loop	NC
<input type="checkbox"/>	187HL6		Omit Single Leg Strap	NC

7. BACKREST / SEATING

Backs

(Solid Back Depth = 2" Less Than Frame Depth)

<input type="checkbox"/>	187PU4	Short Solid Back 12" <i>(Requires solid seat)</i>	NC
<input type="checkbox"/>	187PU5	Med. Solid Back 14"	NC
<input type="checkbox"/>	187PU6	Tall Solid Back 16"	NC
<input type="checkbox"/>	187PU9	Omit Backrest	NC

JAY Backs (Optional)

Ordering JAY backs on-chair, See the JAY Price List. Requires Part #

<input type="checkbox"/>	187JB02	JAY Bundled Backrest	Price List
		Backrest Name or Part #	
		Width (in.): Height (in.):	

Stroller Handle Back Posts - Backrests

Fixed Height

<input type="checkbox"/>	187BP9	Low (19" Height)	NC
<input type="checkbox"/>	187BP10	Medium (22" Height)	NC
<input type="checkbox"/>	187BP11	Tall (25" Height)	NC
<input type="checkbox"/>	187BP13	Removable Extension	\$92
<input type="checkbox"/>	187RG1	Folding Adjustable Rigidizer	\$188

Height Adjustable

Rigid Frame w/ Angle Adjust Push Handle

<input type="checkbox"/>	187B202	Std. (16"-22" Height)	NC
<input type="checkbox"/>	187PH8	Std. Angle Adj. Push Handle Length	NC
<input type="checkbox"/>	187PH9	Long Angle Adj. Push Handle Length	NC
<input type="checkbox"/>	187B203	Tall (19"-25" Height)	NC
<input type="checkbox"/>	187PH8	Std. Angle Adj. Push Handle Length	NC
<input type="checkbox"/>	187PH9	Long Angle Adj. Push Handle Length	NC

Folding Frame with Push Handle

<input type="checkbox"/>	187B204	Std. (17"-23" Height)	NC
<input type="checkbox"/>	187BP47	Swing Away Handle <i>(N/A with dual triggers)</i>	\$59
<input type="checkbox"/>	187B205	Tall (20"-26" Height)	NC
<input type="checkbox"/>	187BP47	Swing Away Handle <i>(N/A with dual triggers)</i>	\$59

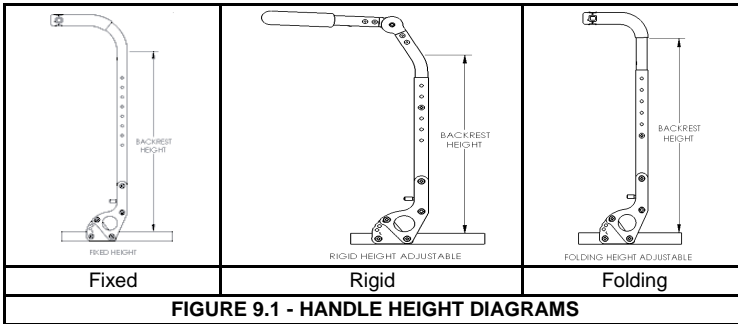


FIGURE 9.1 - HANDLE HEIGHT DIAGRAMS

8. ARMRESTS / SIDEGUARDS

Armrest and Armpad - Height Adjustable

<input type="checkbox"/>	187AA12	E0973	T-Post Regular w/ Foam	\$284
<input type="checkbox"/>	187AA13	E0973	T-Post Tall w/ Foam	\$284
<input type="checkbox"/>	187AA3		Flip-Up	NC
<input type="checkbox"/>	187AA1	E0973	Adjustable Locking Flip-Up	\$284
<input type="checkbox"/>	187AA7	E0973	Length Adjust. Locking Flip-Up	\$296
<input type="checkbox"/>	187AM23		Desk Length - 10"	NC
<input type="checkbox"/>	187AM24		Full Length 14"	NC
<input type="checkbox"/>	187AM9		Foam Short (N/A w/ T-Post)	NC
<input type="checkbox"/>	187AM10		Foam Long (N/A w/ T-Post)	NC

Armrest Receiver for Height Adjustable Armrest

<input type="checkbox"/>	187AR17		Low (N/A w/ 20", 22" & 24" wheels)	NC
<input type="checkbox"/>	187AR18		Standard	NC

Side Guard

(N/A with height adjustable armrests or T-Post armrests)

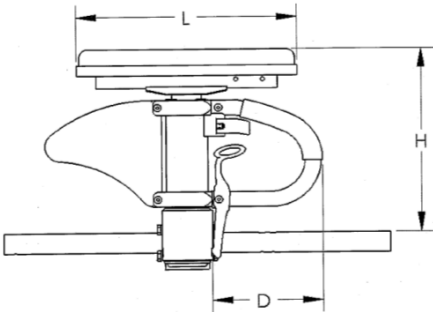
<input type="checkbox"/>	187SG33	K0108	Plastic Std	\$151
<input type="checkbox"/>	187SG29	K0108	Plastic Low	\$151

Armrest - Height Adjustable

<input type="checkbox"/>	187AA11	E0973	Single-Post Height Adj. Std.	\$306
<input type="checkbox"/>	187AM23		Desk Classic	NC
<input type="checkbox"/>	187AM21		Desk Contour	NC
<input type="checkbox"/>	187AM24		Full Classic	NC
<input type="checkbox"/>	187AM22		Full Contour	NC
<input type="checkbox"/>	187AA29	E0973	Single-Post Height Adj. Low	\$306
<input type="checkbox"/>	187AM23		Desk Classic	NC
<input type="checkbox"/>	187AM21		Desk Contour	NC
<input type="checkbox"/>	187AM24		Full Classic	NC
<input type="checkbox"/>	187AM22		Full Contour	NC

Armrest Size	Transfer Tube Length (D)	Receiver	CLASSIC PAD		
			Height Range (H)	Pad Length (L)	
				Desk	Full
STD	8"	STD	10-3/4" to 15-3/4"	10-1/4"	14"
		LOW	8-3/4" to 13-3/4"		
LOW	5-1/4"	STD	9" to 13"	10-1/4"	14"
		LOW	7-1/4" to 11-1/4"		

Armrest Size	Transfer Tube Length (D)	Receiver	CONTOUR PAD		
			Height Range (H)	Pad Length (L)	
				Desk	Full
STD	8"	STD	10" to 15"	10-1/2"	14-1/4"
		LOW	8-1/4" to 12-1/2"		
LOW	5-1/4"	STD	8-1/2" to 12-1/2"	10-1/2"	14-1/4"
		LOW	6-3/4" to 10-3/4"		



The diagram shows a side view of the armrest receiver assembly. Dimension L is the length of the pad. Dimension H is the height of the receiver. Dimension D is the diameter of the transfer tube. The drawing includes a curved armrest pad and a vertical receiver post with a locking mechanism.

Armrest Matrix for Single-Post

9. KEY OPTIONS

Back Pack *(Kids Backpack included)*

<input type="checkbox"/>	187A1	Utility Backpack - Black	\$81
<input type="checkbox"/>	187A2	Additional Kids Black Backpack	\$64

Seat Pouch

<input type="checkbox"/>	187A8	Black	\$54
--------------------------	-------	-------	------

Miscellaneous

<input type="checkbox"/>	187A83	Tool Kit	\$59
--------------------------	--------	----------	------

Spoke Guard

(N/A with 12", 16" and 18" rear wheels & Projections Handrims)

<input type="checkbox"/>	187A23	K0065	Black	\$123
<input type="checkbox"/>	187A24	K0065	Clear Zippie	\$123

Anti Tips

<input type="checkbox"/>	187AO1	E0971	Front Anti-Tip <i>(N/A with caster pin locks)</i> <i>(N/A with transit option)</i>	\$161
<input type="checkbox"/>	187AT1	E0971	Rear Anti-Tip	\$161

Positioning Belt *(w/ clamps)*

<input type="checkbox"/>	187A112	E0978	1" Dual Pull Side Squeeze Padded	\$92
<input type="checkbox"/>	187A117	E0978	Belt 2" Aircraft Buckle	\$118
<input type="checkbox"/>	187A118	E0978	Belt 2" Aircraft Buckle Padded	\$128
<input type="checkbox"/>	187A141	E0978	Belt 1.5" Auto Buckle w/ clamps	\$75
<input type="checkbox"/>	187A814	E0978	1" Comfort Fit APB5116	\$128

Canopy (SunShade)

(Need 2" back post clearance to mount canopy hardware, may require next height based on seating; please note some interference may occur with some headrest configurations)

<input type="checkbox"/>	1878A06	K0108	Canopy (Sunshade) 10"-14" Width	\$296
<input type="checkbox"/>	1878A07	K0108	Canopy (Sunshade) 15"-20" Width	\$296

Upper Extremity Support Tray

When ordering a tray with full armrest or desk armrest pads, add 1" to seat width to determine best tray size.

<input type="checkbox"/>	187A29	E0950	X-Sm <i>(Suggested 10"-12" Width)</i>	\$274
<input type="checkbox"/>	187A30	E0950	Sm <i>(Suggested 13"-14" Width)</i>	\$274
<input type="checkbox"/>	187A31	E0950	Med <i>(Suggested 15"-17" Width)</i>	\$274
<input type="checkbox"/>	187A32	E0950	Lrg <i>(Suggested 18"-20" Width)</i>	\$274

10. FRAME COLOR

Standard Colors

<input type="checkbox"/>	187C140	Aztec Gold	NC
<input type="checkbox"/>	187C2	Black <i>(N/A as base w/ Zebra)</i>	NC
<input type="checkbox"/>	187C141	Black Cherry	NC
<input type="checkbox"/>	187C10	Black Opal	NC
<input type="checkbox"/>	187C38	Blue Opal	NC
<input type="checkbox"/>	187C36	Candy Blue	NC
<input type="checkbox"/>	187C14	Candy Purple	NC
<input type="checkbox"/>	187C35	Candy Red	NC
<input type="checkbox"/>	187C142	Electric Blue	NC
<input type="checkbox"/>	187C143	Evergreen	NC
<input type="checkbox"/>	187C126	Glow	NC
<input type="checkbox"/>	187C144	Green Apple	NC
<input type="checkbox"/>	187C147	Hot Sparkle Pink	NC
<input type="checkbox"/>	187C148	Mauve Pink	NC
<input type="checkbox"/>	187C103	Rootbeer	NC
<input type="checkbox"/>	187C114	Sparkle Silver	NC
<input type="checkbox"/>	187C145	Sunrise Orange	NC
<input type="checkbox"/>	187C113	Titanium Color Paint	NC
<input type="checkbox"/>	187C8	Yellow	NC

Standard Matte Colors

<input type="checkbox"/>	187C116	Matte Black	NC
<input type="checkbox"/>	187C151	Matte Black Cherry	NC
<input type="checkbox"/>	187C152	Matte Purple	NC
<input type="checkbox"/>	187C150	Matte Electric Blue	NC
<input type="checkbox"/>	187C149	Matte Evergreen	NC

Personalized Colors

<input type="checkbox"/>	187C43	Mossy Oak Camouflage	\$424
<input type="checkbox"/>	187C42	Stars and Stripes	\$424
<input type="checkbox"/>	187C108	Zebra <small><i>(Choose base color above: White Std. N/A black, black opal, matte black or titanium)</i></small>	\$424

Additional Options Through Built-4-Me

To inquire about any unique personalization for Zippie products, contact: Phone: (800) 333-4000, Fax: (800) 333-9011



Commonly Requested Options Include:

- ✓ Dynamic Back
- ✓ Reclining Backrest
- ✓ Personalized Anodizing
- ✓ Personalized Paint
- ✓ O2 Holder with Transit
- ✓ IV Pole with Transit



Sunrise Medical (US) LLC
2842 Business Park Ave. · Fresno, CA 93727 · USA