



# WHEELCHAIR TRAYS & ACCESSORIES

Quick Ship and Made To Order Configurations  
January 2022

Mark For: \_\_\_\_\_

Submitting for:  Quote  Order

Date: \_\_\_\_\_

PO#: \_\_\_\_\_

Dealer Acct #: \_\_\_\_\_

Dealer: \_\_\_\_\_

Dealer Contact: \_\_\_\_\_

Dealer Address: \_\_\_\_\_

Dealer City: \_\_\_\_\_ ST: \_\_\_\_\_ ZIP: \_\_\_\_\_

Dealer Phone: ( ) \_\_\_\_\_ Fax: ( ) \_\_\_\_\_

Confirmation Email: \_\_\_\_\_

Confirm Via:  Fax  Email

### ADDITIONAL SHIPPING INFORMATION

Ship To: \_\_\_\_\_

Attention: \_\_\_\_\_

Address: \_\_\_\_\_

Address: \_\_\_\_\_

Ship To City: \_\_\_\_\_ ST: \_\_\_\_\_ ZIP: \_\_\_\_\_

Ship To Phone: ( ) \_\_\_\_\_ Fax: ( ) \_\_\_\_\_

The **HCPCS CODES** herein are based on PDAC verification or interpretation of Medicare definitions and guidelines. Non-Medicare payers may accept alternative **HCPCS CODES**, including misc. codes to ensure access for their enrollees. The use of **HCPCS CODES** does not ensure coverage or payment.

✓ Option #	HCPCS	Definition	Price	✓ Option #	HCPCS	Definition	Price
------------	-------	------------	-------	------------	-------	------------	-------

### QUICK SHIP TRAY CONFIGURATIONS

Quick Ship Tray configurations is our standard tray configurations, just match the size and style you desire to the hardware needed. If you desire to change materials, cutouts, and add additional functionality to a Tray please reference the Made To Order Tray Configurations offering.

#### MANUAL & PEDIATRIC (W/O HARDWARE)

<input type="checkbox"/>	562619	E0950	X-SMALL (w/ wood ribs)	\$209
<input type="checkbox"/>	562620	E0950	SMALL (w/ wood ribs)	\$209
<input type="checkbox"/>	562621	E0950	MEDIUM (w/ wood ribs)	\$209
<input type="checkbox"/>	562622	E0950	LARGE (w/ wood ribs)	\$209
<input type="checkbox"/>	562623	E0950	X-LARGE (w/ wood ribs)	\$209

#### POWER CHAIR (W/O HDWR) - RH JOYSTICK CUTOUT

<input type="checkbox"/>	562625	E0950	SMALL	\$253
<input type="checkbox"/>	562626	E0950	MEDIUM	\$253
<input type="checkbox"/>	562627	E0950	LARGE	\$253

#### POWER CHAIR (W/O HDWR) - LH JOYSTICK CUTOUT

<input type="checkbox"/>	118094	K0108	SMALL	\$253
<input type="checkbox"/>	118095	K0108	MEDIUM	\$253
<input type="checkbox"/>	118096	K0108	LARGE	\$253

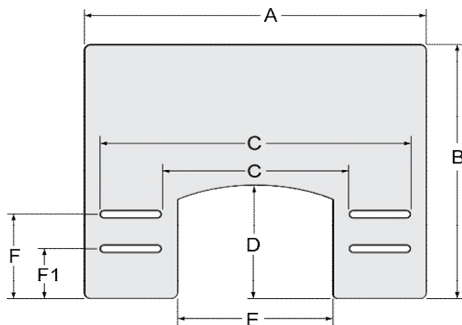
#### TRAY HARDWARE

<input type="checkbox"/>	881051	K0108	Quickie Hardware (pr) - Manual Style Ships unassembled	\$78
<input type="checkbox"/>	Price Ke	K0108	Cam Release (pair) - Power Style and Zippie Kidz	\$81

#### JOYSTICK CUTOUT

For Tray sizes XSm, Sm, Med	4.5" x 8"
For Tray sizes Lg, XLg	4.5" x 10"

	A	B	C	D	E	F-F1	G
Size	Width	Depth	Hardware Adjustment Range	Cut-Out Depth	Cut-Out Width	Hardware Placement	Cut-Out Style
X-Small	20 7/8"	17 7/8"	Quickie/Cam - 13 3/4" to 18 1/4" Toggle - 11 1/2" to 15 1/2"	7"	10"	6" 4"	Semi-Round
Small	20 7/8"	17 7/8"	Quickie/Cam - 13 3/4" to 18 1/4" Toggle - 11 1/2" to 15 1/2"	7"	12"	6" 4"	Semi-Round
Medium	23 3/4"	21 1/2"	Quickie/Cam - 16 1/4" to 21 1/4" Toggle - 14 1/2" to 18 1/2"	8 3/4"	14"	6" 4"	Semi-Round
Large	25 7/8"	23 3/4"	Quickie/Cam - 18 1/4" to 23 1/4" Toggle - 16 1/2" to 20 1/2"	10"	18"	8" 6"	Round
X-Large	27 3/4"	23 3/4"	Quickie/Cam - 20" to 26 1/2" Toggle - 18 1/2" to 22 1/2"	10"	19"	8 1/2" 4 3/4"	Round



Customer Service: 800-333-4000 Fax: 800-300-7502 www.sunrisemedical.com  
Sunrise Medical (US) LLC. © 1/2022 MK-100169 REV. D

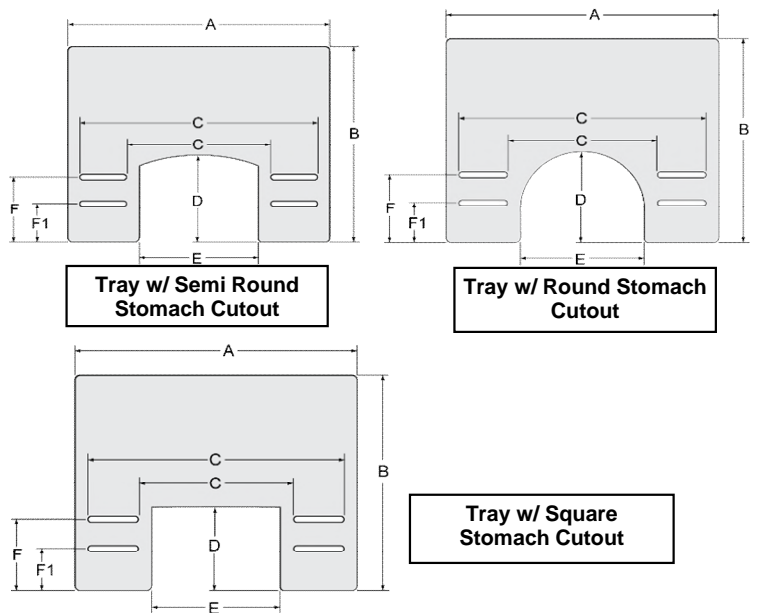
✓ Option #	HCPCS	Definition	Price	✓ Option #	HCPCS	Definition	Price
<b>MADE TO ORDER TRAY CONFIGURATIONS</b>							

Made to order tray configurations allow you to change materials, cutouts, and add additional functionality to a Tray.  
 If modification of the dimensions listed below are desired please reference the JAY ConfigureFit Tray offering.

<b>1/2" BIRCH TRAY (Includes Std Wood Rib)</b>				
<input type="checkbox"/>	9 0W	K0108	20 7/8" x 17 7/8" Specify Stomach Cutout Style: <input type="checkbox"/> Semi-Round <input type="checkbox"/> Round <input type="checkbox"/> Square <input type="checkbox"/> Omit	\$307
<input type="checkbox"/>	9 1W	K0108	20 7/8" x 17 7/8" Specify Stomach Cutout Style: <input type="checkbox"/> Semi-Round <input type="checkbox"/> Round <input type="checkbox"/> Square <input type="checkbox"/> Omit	\$307
<input type="checkbox"/>	9 2W	K0108	23 3/4" x 21 1/2" Specify Stomach Cutout Style: <input type="checkbox"/> Semi-Round <input type="checkbox"/> Round <input type="checkbox"/> Square <input type="checkbox"/> Omit	\$307
<input type="checkbox"/>	9 5W	K0108	25 7/8" x 23 3/4" Specify Stomach Cutout Style: <input type="checkbox"/> Semi-Round <input type="checkbox"/> Round <input type="checkbox"/> Square <input type="checkbox"/> Omit	\$307
<input type="checkbox"/>	9 6W	K0108	27 3/4" x 23 3/4" Specify Stomach Cutout Style: <input type="checkbox"/> Semi-Round <input type="checkbox"/> Round <input type="checkbox"/> Square <input type="checkbox"/> Omit	\$307

<b>1/4" TUFFAK TRAY (Includes Heavy Duty Rib)</b>				
<input type="checkbox"/>	9 0T4	K0108	20 7/8" x 17 7/8" Specify Stomach Cutout Style: <input type="checkbox"/> Semi-Round <input type="checkbox"/> Round <input type="checkbox"/> Square <input type="checkbox"/> Omit	\$279
<input type="checkbox"/>	9 1T4	K0108	20 7/8" x 17 7/8" Specify Stomach Cutout Style: <input type="checkbox"/> Semi-Round <input type="checkbox"/> Round <input type="checkbox"/> Square <input type="checkbox"/> Omit	\$279
<input type="checkbox"/>	9 2T4	K0108	23 3/4" x 21 1/2" Specify Stomach Cutout Style: <input type="checkbox"/> Semi-Round <input type="checkbox"/> Round <input type="checkbox"/> Square <input type="checkbox"/> Omit	\$279
<input type="checkbox"/>	9 5T4	K0108	25 7/8" x 23 3/4" Specify Stomach Cutout Style: <input type="checkbox"/> Semi-Round <input type="checkbox"/> Round <input type="checkbox"/> Square <input type="checkbox"/> Omit	\$279

<b>3/8" TUFFAK TRAY (Includes Std Wood Rib) Bold is default</b>				
<input type="checkbox"/>	9 0T	K0108	20 7/8" x 17 7/8" Specify Stomach Cutout Style: <input type="checkbox"/> <b>Semi-Round</b> <input type="checkbox"/> Round <input type="checkbox"/> Square <input type="checkbox"/> Omit	\$234
<input type="checkbox"/>	9 1T	K0108	20 7/8" x 17 7/8" Specify Stomach Cutout Style: <input type="checkbox"/> <b>Semi-Round</b> <input type="checkbox"/> Round <input type="checkbox"/> Square <input type="checkbox"/> Omit	\$234
<input type="checkbox"/>	9 2T	E0950	23 3/4" x 21 1/2" Specify Stomach Cutout Style: <input type="checkbox"/> <b>Semi-Round</b> <input type="checkbox"/> Round <input type="checkbox"/> Square <input type="checkbox"/> Omit	\$234
<input type="checkbox"/>	9 5T	K0108	25 7/8" x 23 3/4" Specify Stomach Cutout Style: <input type="checkbox"/> Semi-Round <input type="checkbox"/> <b>Round</b> <input type="checkbox"/> Square <input type="checkbox"/> Omit	\$234
<input type="checkbox"/>	9 6T	K0108	27 3/4" x 23 3/4" Specify Stomach Cutout Style: <input type="checkbox"/> Semi-Round <input type="checkbox"/> <b>Round</b> <input type="checkbox"/> Square <input type="checkbox"/> Omit	\$234



	A	B	C	D	E	F-F1	G
Item #	Width	Depth	Hardware Adjustment Range	Cut-Out Depth	Cut-Out Width	Hardware Placement	Cut-Out Style
9-0 X-Small	20 7/8"	17 7/8"	Quickie/Cam - 13 3/4" to 18 1/4" Toggle - 11 1/2" to 15 1/2"	7"	10"	6" 4"	Semi-Round
9-1 Small	20 7/8"	17 7/8"	Quickie/Cam - 13 3/4" to 18 1/4" Toggle - 11 1/2" to 15 1/2"	7"	12"	6" 4"	Semi-Round
9-2 Medium	23 3/4"	21 1/2"	Quickie/Cam - 16 1/4" to 21 1/4" Toggle - 14 1/2" to 18 1/2"	8 3/4"	14"	6" 4"	Semi-Round
9-5 Large	25 7/8"	23 3/4"	Quickie/Cam - 18 1/4" to 23 1/4" Toggle - 16 1/2" to 20 1/2"	10"	18"	8" 6"	Round
9-6 X-Large	27 3/4"	23 3/4"	Quickie/Cam - 20" to 26 1/2" Toggle - 18 1/2" to 22 1/2"	10"	19"	8 1/2" 4 3/4"	Round

✓ Option #	HCPCS	Definition	Price	✓ Option #	HCPCS	Definition	Price
------------	-------	------------	-------	------------	-------	------------	-------

### CUT-OUTS

<input type="checkbox"/>	9PC	K0108	Power Drive Cut-out <input type="checkbox"/> Right <input type="checkbox"/> Left	\$44
<input type="checkbox"/>	9SCO	K0108	Cut-Outs Specify:	\$44
<input type="checkbox"/>	9CO	K0108	Personalized Stomach Cut-Out Specify Dim D: _____ (5" - 20") Specify Dim E: _____ (4" - 20")	\$44
<input type="checkbox"/>	9OSC		Omit Stomach Cut-Out	NC

### SLOTS

<input type="checkbox"/>	9CS	K0108	<b>Extra Set of Slots (pair)</b> Specify Number of Extra Slots: <input type="checkbox"/> 1 <input type="checkbox"/> 2 <input type="checkbox"/> 3 <input type="checkbox"/> 4 Specify Distance from Edge of Tray to Center of Slot: <input type="checkbox"/> 7/8" <input type="checkbox"/> Made To Order: _____ Specify Distance from Bottom of Tray to Center of Slot: <input type="checkbox"/> 4" <input type="checkbox"/> 4 3/4" <input type="checkbox"/> 6" <input type="checkbox"/> Made To Order: _____ Specify Distance Between Slots: 1 1/8" <input type="checkbox"/> 2" <input type="checkbox"/> Made To Order: _____	\$39
<input type="checkbox"/>	9VS	K0108	<b>Vertical Slots (pair)</b> Specify Number of Slots: <input type="checkbox"/> 1 <input type="checkbox"/> 2 <input type="checkbox"/> 3 <input type="checkbox"/> 4 Specify Width of Slots: <input type="checkbox"/> 1/4" <input type="checkbox"/> 5/16" <input type="checkbox"/> 3/8" <input type="checkbox"/> Made To Order: _____ Specify Distance from Edge of Tray to Center of Slot: <input type="checkbox"/> 7/8" <input type="checkbox"/> Made To Order: _____ Specify Distance from Bottom of Tray to Center of Slot: <input type="checkbox"/> 4" <input type="checkbox"/> 4 3/4" <input type="checkbox"/> 6" <input type="checkbox"/> Made To Order: _____ Specify Distance Between Slots: <input type="checkbox"/> 1 1/8" <input type="checkbox"/> 2" <input type="checkbox"/> Made To Order: _____	\$39
<input type="checkbox"/>	9OS		<b>Omit Slots (pair)</b>	NC

### HARDWARE

<input type="checkbox"/>	881051	K0180	Quickie Hardware (pair) - Manual Style Ships unassembled	\$78
<input type="checkbox"/>	Price Ke	K0180	Cam Release (pair) - Power Style	\$76
<input type="checkbox"/>	4099	K0180	Toggle Hideaway (pair) Distance btwn 2 slot cut-outs is closer	\$225
<input type="checkbox"/>	9ST	K0180	VELCRO Strap (set) Select Length <input type="checkbox"/> 18" <input type="checkbox"/> 20" <input type="checkbox"/> 22" <input type="checkbox"/> Color: _____	\$44

### RIBS

<input type="checkbox"/>			9 0 - Tray Size	NA
<input type="checkbox"/>			9 1 - Tray Size	NA
<input type="checkbox"/>			9 2 - Tray Size	NA
<input type="checkbox"/>			9 5 - Tray Size	NA
<input type="checkbox"/>			9 6 - Tray Size	NA

Select Rib Modification (Must choose size above)

<input type="checkbox"/>	9OR		Heavy Duty (1 1/4"H x 1" W) Set	\$44
<input type="checkbox"/>	9AR		Aluminum (5/8"H x 9/16"W) Set	\$44
<input type="checkbox"/>	NR		Omit Ribs Set	N/C

### COMMUNICATION BOARDS

<input type="checkbox"/>			9 0 - Tray Size	NA
<input type="checkbox"/>			9 1 - Tray Size	NA
<input type="checkbox"/>			9 2 - Tray Size	NA
<input type="checkbox"/>			9 5 - Tray Size	NA
<input type="checkbox"/>			9 6 - Tray Size	NA
Select Communication Board (Must choose size above)				
<input type="checkbox"/>	9CB1		Small Underlay (For Trays 9 0, 9 1)	\$66
<input type="checkbox"/>	9CB1A		Lg Underlay (For Trays 9 2,9 5,9 6)	\$72
<input type="checkbox"/>	9CB2		Overlay	\$56
<input type="checkbox"/>	9CB3		Hinged Overlay	\$252
<input type="checkbox"/>	9CB3A		Removable Hinged Overlay	\$328

### PROTRACTION PADS (PAIR) W/ MOUNT

<input type="checkbox"/>	14980A	K0108	Rectangular 4" X 5"	\$279
<input type="checkbox"/>	14980B	K0108	Oval 5" X 7"	\$322
<input type="checkbox"/>	14980D	K0108	Oval 4" X 5"	\$279
<input type="checkbox"/>	14980E	K0108	Oval 4" X 6"	\$279

### TRAY COVER

Provide Tray Size For Tray Cover

<input type="checkbox"/>			9 0 - Tray Size	NA
<input type="checkbox"/>			9 1 - Tray Size	NA
<input type="checkbox"/>			9 2 - Tray Size	NA
<input type="checkbox"/>			9 5 - Tray Size	NA
<input type="checkbox"/>			9 6 - Tray Size	NA

Select Tray Cover Size (Must choose size above)

<input type="checkbox"/>	9SC		Full Pad	\$167
Color: _____				
<input type="checkbox"/>	9PH		Half Pad	\$127
<input type="checkbox"/> Front mount <input type="checkbox"/> Rear mount				
Color: _____				

### ELBOW PAD (Each)

<input type="checkbox"/>	9PR	K0180	Elbow Pad	\$127
Color: _____				
Specify Width: _____ (3" - 10")				
Specify Length: _____ (1" - 15")				
Specify Pad Shape: <input type="checkbox"/> Rectangle <input type="checkbox"/> "L" Shape				
<input type="checkbox"/> Left <input type="checkbox"/> Right				
Specify Strap: <input type="checkbox"/> Braided Std. <input type="checkbox"/> Velcro				

### STOMACH CUT-OUT PAD

<input type="checkbox"/>	9PS	K0180	Stomach Cut-out Pad	\$284
Color: _____				
<input type="checkbox"/>			9 0 - Tray Size	
<input type="checkbox"/>			9 1 - Tray Size	
<input type="checkbox"/>			9 2 - Tray Size	
<input type="checkbox"/>			9 5 - Tray Size	
<input type="checkbox"/>			9 6 - Tray Size	

### WRIST STRAPS

<input type="checkbox"/>	9WS	K0180	Wrist Straps (pair)	\$29
Specify Length: _____ (1" - 15")				
Color: _____				