

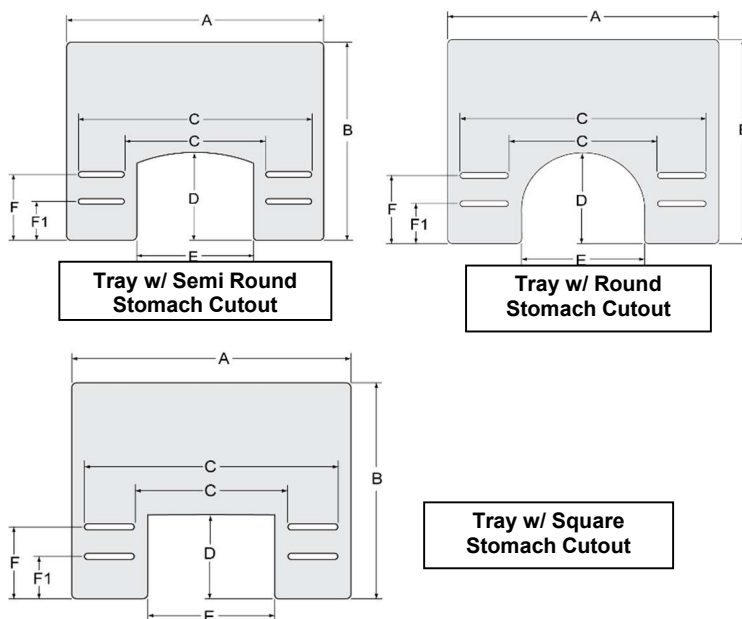
✓ Option #	HCPCS	Definition	Price	✓ Option #	HCPCS	Definition	Price
MADE TO ORDER TRAY CONFIGURATIONS							

Made to order tray configurations allow you to change materials, cutouts, and add additional functionality to a Tray.
If modification of the dimensions listed below are desired please reference the JAY ConfigureFit Tray offering.

1/2" BIRCH TRAY (Includes Std Wood Rib)				
<input type="checkbox"/>	9 0W	K0108	20 7/8" x 17 7/8" Specify Stomach Cutout Style: <input type="checkbox"/> Semi-Round <input type="checkbox"/> Round <input type="checkbox"/> Square <input type="checkbox"/> Omit	\$323
<input type="checkbox"/>	9 1W	K0108	20 7/8" x 17 7/8" Specify Stomach Cutout Style: <input type="checkbox"/> Semi-Round <input type="checkbox"/> Round <input type="checkbox"/> Square <input type="checkbox"/> Omit	\$323
<input type="checkbox"/>	9 2W	K0108	23 3/4" x 21 1/2" Specify Stomach Cutout Style: <input type="checkbox"/> Semi-Round <input type="checkbox"/> Round <input type="checkbox"/> Square <input type="checkbox"/> Omit	\$323
<input type="checkbox"/>	9 5W	K0108	25 7/8" x 23 3/4" Specify Stomach Cutout Style: <input type="checkbox"/> Semi-Round <input type="checkbox"/> Round <input type="checkbox"/> Square <input type="checkbox"/> Omit	\$323
<input type="checkbox"/>	9 6W	K0108	27 3/4" x 23 3/4" Specify Stomach Cutout Style: <input type="checkbox"/> Semi-Round <input type="checkbox"/> Round <input type="checkbox"/> Square <input type="checkbox"/> Omit	\$323

1/4" TUFFAK TRAY (Includes Heavy Duty Rib)				
<input type="checkbox"/>	9 0T4	K0108	20 7/8" x 17 7/8" Specify Stomach Cutout Style: <input type="checkbox"/> Semi-Round <input type="checkbox"/> Round <input type="checkbox"/> Square <input type="checkbox"/> Omit	\$294
<input type="checkbox"/>	9 1T4	K0108	20 7/8" x 17 7/8" Specify Stomach Cutout Style: <input type="checkbox"/> Semi-Round <input type="checkbox"/> Round <input type="checkbox"/> Square <input type="checkbox"/> Omit	\$294
<input type="checkbox"/>	9 2T4	K0108	23 3/4" x 21 1/2" Specify Stomach Cutout Style: <input type="checkbox"/> Semi-Round <input type="checkbox"/> Round <input type="checkbox"/> Square <input type="checkbox"/> Omit	\$294
<input type="checkbox"/>	9 5T4	K0108	25 7/8" x 23 3/4" Specify Stomach Cutout Style: <input type="checkbox"/> Semi-Round <input type="checkbox"/> Round <input type="checkbox"/> Square <input type="checkbox"/> Omit	\$294

3/8" TUFFAK TRAY (Includes Std Wood Rib) Bold is default				
<input type="checkbox"/>	9 0T	K0108	20 7/8" x 17 7/8" Specify Stomach Cutout Style: <input type="checkbox"/> Semi-Round <input type="checkbox"/> Round <input type="checkbox"/> Square <input type="checkbox"/> Omit	\$246
<input type="checkbox"/>	9 1T	K0108	20 7/8" x 17 7/8" Specify Stomach Cutout Style: <input type="checkbox"/> Semi-Round <input type="checkbox"/> Round <input type="checkbox"/> Square <input type="checkbox"/> Omit	\$246
<input type="checkbox"/>	9 2T	E0950	23 3/4" x 21 1/2" Specify Stomach Cutout Style: <input type="checkbox"/> Semi-Round <input type="checkbox"/> Round <input type="checkbox"/> Square <input type="checkbox"/> Omit	\$246
<input type="checkbox"/>	9 5T	K0108	25 7/8" x 23 3/4" Specify Stomach Cutout Style: <input type="checkbox"/> Semi-Round <input type="checkbox"/> Round <input type="checkbox"/> Square <input type="checkbox"/> Omit	\$246
<input type="checkbox"/>	9 6T	K0108	27 3/4" x 23 3/4" Specify Stomach Cutout Style: <input type="checkbox"/> Semi-Round <input type="checkbox"/> Round <input type="checkbox"/> Square <input type="checkbox"/> Omit	\$246



	A	B	C	D	E	F-F1	G
Item #	Width	Depth	Hardware Adjustment Range	Cut-Out Depth	Cut-Out Width	Hardware Placement	Cut-Out Style
9-0 X-Small	20 7/8"	17 7/8"	Quickie/Cam - 13 3/4" to 18 1/4" Toggle - 11 1/2" to 15 1/2"	7"	10"	6" 4"	Semi-Round
9-1 Small	20 7/8"	17 7/8"	Quickie/Cam - 13 3/4" to 18 1/4" Toggle - 11 1/2" to 15 1/2"	7"	12"	6" 4"	Semi-Round
9-2 Medium	23 3/4"	21 1/2"	Quickie/Cam - 16 1/4" to 21 1/4" Toggle - 14 1/2" to 18 1/2"	8 3/4"	14"	6" 4"	Semi-Round
9-5 Large	25 7/8"	23 3/4"	Quickie/Cam - 18 1/4" to 23 1/4" Toggle - 16 1/2" to 20 1/2"	10"	18"	8" 6"	Round
9-6 X-Large	27 3/4"	23 3/4"	Quickie/Cam - 20" to 26 1/2" Toggle - 18 1/2" to 22 1/2"	10"	19"	8 1/2" 4 3/4"	Round

✓ Option #	HCPCS	Definition	Price	✓ Option #	HCPCS	Definition	Price
------------	-------	------------	-------	------------	-------	------------	-------

CUT-OUTS

<input type="checkbox"/>	9PC	K0108	Power Drive Cut-out <input type="checkbox"/> Right <input type="checkbox"/> Left	\$46
<input type="checkbox"/>	9SCO	K0108	Cut-Outs Specify:	\$46
<input type="checkbox"/>	9CO	K0108	Personalized Stomach Cut-Out Specify Dim D: _____ (5" - 20") Specify Dim E: _____ (4" - 20")	\$46
<input type="checkbox"/>	9OSC		Omit Stomach Cut-Out	NC

SLOTS

<input type="checkbox"/>	9CS	K0108	Extra Set of Slots (pair) Specify Number of Extra Slots: <input type="checkbox"/> 1 <input type="checkbox"/> 2 <input type="checkbox"/> 3 <input type="checkbox"/> 4 Specify Distance from Edge of Tray to Center of Slot: <input type="checkbox"/> 7/8" <input type="checkbox"/> Made To Order: _____ Specify Distance from Bottom of Tray to Center of Slot: <input type="checkbox"/> 4" <input type="checkbox"/> 4 3/4" <input type="checkbox"/> 6" <input type="checkbox"/> Made To Order: _____ Specify Distance Between Slots: 1 1/8" <input type="checkbox"/> 2" <input type="checkbox"/> Made To Order: _____	\$41
<input type="checkbox"/>	9VS	K0108	Vertical Slots (pair) Specify Number of Slots: <input type="checkbox"/> 1 <input type="checkbox"/> 2 <input type="checkbox"/> 3 <input type="checkbox"/> 4 Specify Width of Slots: <input type="checkbox"/> 1/4" <input type="checkbox"/> 5/16" <input type="checkbox"/> 3/8" <input type="checkbox"/> Made To Order: _____ Specify Distance from Edge of Tray to Center of Slot: <input type="checkbox"/> 7/8" <input type="checkbox"/> Made To Order: _____ Specify Distance from Bottom of Tray to Center of Slot: <input type="checkbox"/> 4" <input type="checkbox"/> 4 3/4" <input type="checkbox"/> 6" <input type="checkbox"/> Made To Order: _____ Specify Distance Between Slots: <input type="checkbox"/> 1 1/8" <input type="checkbox"/> 2" <input type="checkbox"/> Made To Order: _____	\$41
<input type="checkbox"/>	9OS		Omit Slots (pair)	NC

HARDWARE

<input type="checkbox"/>	881051	K0180	Quickie Hardware (pair) - Manual Style Ships unassembled	\$82
<input type="checkbox"/>	Price Ke	K0180	Cam Release (pair) - Power Style	\$80
<input type="checkbox"/>	4099	K0180	Toggle Hideaway (pair) Distance btwn 2 slot cut-outs is closer	\$237
<input type="checkbox"/>	9ST	K0180	VELCRO Strap (set) Select Length <input type="checkbox"/> 18" <input type="checkbox"/> 20" <input type="checkbox"/> 22" <input type="checkbox"/> Color: _____	\$46

RIBS

<input type="checkbox"/>			9 0 - Tray Size	NA
<input type="checkbox"/>			9 1 - Tray Size	NA
<input type="checkbox"/>			9 2 - Tray Size	NA
<input type="checkbox"/>			9 5 - Tray Size	NA
<input type="checkbox"/>			9 6 - Tray Size	NA

Select Rib Modification (Must choose size above)

<input type="checkbox"/>	9OR		Heavy Duty (1 1/4"H x 1" W) Set	\$46
<input type="checkbox"/>	9AR		Aluminum (5/8"H x 9/16"W) Set	\$46
<input type="checkbox"/>	NR		Omit Ribs Set	N/C

COMMUNICATION BOARDS

<input type="checkbox"/>			9 0 - Tray Size	NA
<input type="checkbox"/>			9 1 - Tray Size	NA
<input type="checkbox"/>			9 2 - Tray Size	NA
<input type="checkbox"/>			9 5 - Tray Size	NA
<input type="checkbox"/>			9 6 - Tray Size	NA

Select Communication Board (Must choose size above)

<input type="checkbox"/>	9CB1		Small Underlay (For Trays 9 0, 9 1)	\$69
<input type="checkbox"/>	9CB1A		Lg Underlay (For Trays 9 2,9 5,9 6)	\$76
<input type="checkbox"/>	9CB2		Overlay	\$59
<input type="checkbox"/>	9CB3		Hinged Overlay	\$265
<input type="checkbox"/>	9CB3A		Removable Hinged Overlay	\$345

PROTRACTION PADS (PAIR) W/ MOUNT

<input type="checkbox"/>	14980A	K0108	Rectangular 4" X 5"	\$294
<input type="checkbox"/>	14980B	K0108	Oval 5" X 7"	\$339
<input type="checkbox"/>	14980D	K0108	Oval 4" X 5"	\$294
<input type="checkbox"/>	14980E	K0108	Oval 4" X 6"	\$294

TRAY COVER

Provide Tray Size For Tray Cover

<input type="checkbox"/>			9 0 - Tray Size	NA
<input type="checkbox"/>			9 1 - Tray Size	NA
<input type="checkbox"/>			9 2 - Tray Size	NA
<input type="checkbox"/>			9 5 - Tray Size	NA
<input type="checkbox"/>			9 6 - Tray Size	NA

Select Tray Cover Size (Must choose size above)

<input type="checkbox"/>	9SC		Full Pad	\$176
			Color: _____	
<input type="checkbox"/>	9PH		Half Pad	\$134
			<input type="checkbox"/> Front mount <input type="checkbox"/> Rear mount	
			Color: _____	

ELBOW PAD (Each)

<input type="checkbox"/>	9PR	K0180	Elbow Pad	\$134
			Color: _____	
			Specify Width: _____ (3" - 10")	
			Specify Length: _____ (1" - 15")	
			Specify Pad Shape: <input type="checkbox"/> Rectangle <input type="checkbox"/> "L" Shape	
			<input type="checkbox"/> Left <input type="checkbox"/> Right	
			Specify Strap: <input type="checkbox"/> Braided Std. <input type="checkbox"/> Velcro	

STOMACH CUT-OUT PAD

<input type="checkbox"/>	9PS	K0180	Stomach Cut-out Pad	\$299
			Color: _____	
			<input type="checkbox"/> 9 0 - Tray Size	
			<input type="checkbox"/> 9 1 - Tray Size	
			<input type="checkbox"/> 9 2 - Tray Size	
			<input type="checkbox"/> 9 5 - Tray Size	
			<input type="checkbox"/> 9 6 - Tray Size	

WRIST STRAPS

<input type="checkbox"/>	9WS	K0180	Wrist Straps (pair)	\$31
			Specify Length: _____ (1" - 15")	
			Color: _____	