

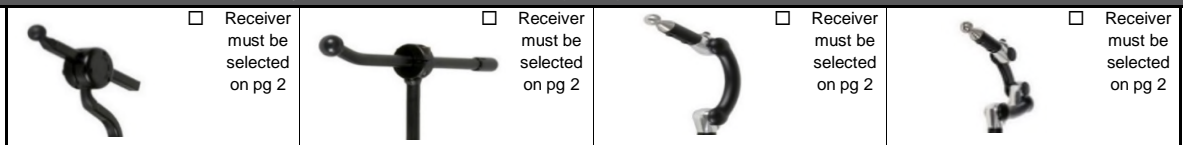
Mark For: _____
 Date: _____
 Dealer Acct #: _____
 Dealer: _____
 Dealer Contact: _____
 Dealer Address: _____
 Dealer City: _____ ST: _____ ZIP: _____
 Dealer Phone: () _____ Fax: () _____
 Confirmation Email: _____
 Confirm Via: Fax Email

Submitting for: Quote Order
 PO#: _____
ADDITIONAL SHIPPING INFORMATION
 Ship To: _____
 Attention: _____
 Address: _____
 Address: _____
 Ship To City: _____ ST: _____ ZIP: _____
 Ship To Phone: () _____ Fax: () _____

The **HCPCS CODES** herein are based on PDAC verification or interpretation of Medicare definitions and guidelines. Non-Medicare payers may accept alternative **HCPCS CODES**, including misc. codes to ensure access for their enrollees. The use of **HCPCS CODES** does not ensure coverage or payment.

Head Positioning - Use HCPCS Code E0955

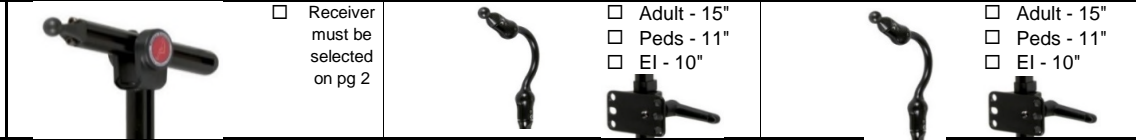
Whitmyer headrests come unassembled. Please add item WHITASSY001 if the dealer would like parts assembled. This is a no charge option.
 Note: For cover selection, L = Lycra and V = Dartex Reversed (Example: AXYS-HUFALL or AXYS-HUFALV)



PAD			AXYS		ONYX		LINX		LINX ²	
HEADS UP - COMMON SIZES	Fixed Arm	Large	<input type="checkbox"/> AXYS-HUFALL	\$340	<input type="checkbox"/> ONYX-HUFALL	\$340	<input type="checkbox"/> LINX-HUFALL	\$340	<input type="checkbox"/> LINX2-HUFALL	\$382
		Medium	<input type="checkbox"/> AXYS-HUFALV	\$340	<input type="checkbox"/> ONYX-HUFALV	\$340	<input type="checkbox"/> LINX-HUFALV	\$340	<input type="checkbox"/> LINX2-HUFALV	\$382
		Small	<input type="checkbox"/> AXYS-HUFAML	\$340	<input type="checkbox"/> ONYX-HUFAML	\$340	<input type="checkbox"/> LINX-HUFAML	\$340	<input type="checkbox"/> LINX2-HUFAML	\$382
		Early Intervention	<input type="checkbox"/> AXYS-HUFAMV	\$340	<input type="checkbox"/> ONYX-HUFAMV	\$340	<input type="checkbox"/> LINX-HUFAMV	\$340	<input type="checkbox"/> LINX2-HUFAMV	\$382
		Early Intervention	<input type="checkbox"/> AXYS-HUFASL	\$340	<input type="checkbox"/> ONYX-HUFASL	\$340	<input type="checkbox"/> LINX-HUFASL	\$340	<input type="checkbox"/> LINX2-HUFASL	\$382
		Early Intervention	<input type="checkbox"/> AXYS-HUFASV	\$340	<input type="checkbox"/> ONYX-HUFASV	\$340	<input type="checkbox"/> LINX-HUFASV	\$340	<input type="checkbox"/> LINX2-HUFASV	\$382
	Swing-Away Arms*	Large	<input type="checkbox"/> AXYS-HUFAEIL	\$340	<input type="checkbox"/> ONYX-HUFAEIL	\$340	<input type="checkbox"/> LINX-HUFAEIL	\$340	<input type="checkbox"/> LINX2-HUFAEIL	\$382
		Medium	<input type="checkbox"/> AXYS-HUFAEIV	\$340	<input type="checkbox"/> ONYX-HUFAEIV	\$340	<input type="checkbox"/> LINX-HUFAEIV	\$340	<input type="checkbox"/> LINX2-HUFAEIV	\$382
		Small	<input type="checkbox"/> AXYS-HUSALL	\$410	<input type="checkbox"/> ONYX-HUSALL	\$410	<input type="checkbox"/> LINX-HUSALL	\$410	<input type="checkbox"/> LINX2-HUSALL	\$451
		Early Intervention	<input type="checkbox"/> AXYS-HUSALV	\$410	<input type="checkbox"/> ONYX-HUSALV	\$410	<input type="checkbox"/> LINX-HUSALV	\$410	<input type="checkbox"/> LINX2-HUSALV	\$451
		Early Intervention	<input type="checkbox"/> AXYS-HUSAML	\$410	<input type="checkbox"/> ONYX-HUSAML	\$410	<input type="checkbox"/> LINX-HUSAML	\$410	<input type="checkbox"/> LINX2-HUSAML	\$451
		Early Intervention	<input type="checkbox"/> AXYS-HUSAMV	\$410	<input type="checkbox"/> ONYX-HUSAMV	\$410	<input type="checkbox"/> LINX-HUSAMV	\$410	<input type="checkbox"/> LINX2-HUSAMV	\$451
		Early Intervention	<input type="checkbox"/> AXYS-HUSASL	\$410	<input type="checkbox"/> ONYX-HUSASL	\$410	<input type="checkbox"/> LINX-HUSASL	\$410	<input type="checkbox"/> LINX2-HUSASL	\$451
		Early Intervention	<input type="checkbox"/> AXYS-HUSASV	\$410	<input type="checkbox"/> ONYX-HUSASV	\$410	<input type="checkbox"/> LINX-HUSASV	\$410	<input type="checkbox"/> LINX2-HUSASV	\$451
Early Intervention	<input type="checkbox"/> AXYS-HUSAEIL	\$410	<input type="checkbox"/> ONYX-HUSAEIL	\$410	<input type="checkbox"/> LINX-HUSAEIL	\$410	<input type="checkbox"/> LINX2-HUSAEIL	\$451		
Early Intervention	<input type="checkbox"/> AXYS-HUSAEIV	\$410	<input type="checkbox"/> ONYX-HUSAEIV	\$410	<input type="checkbox"/> LINX-HUSAEIV	\$410	<input type="checkbox"/> LINX2-HUSAEIV	\$451		

Head Positioning - Use HCPCS Code E0955

Whitmyer headrests come unassembled. Please add item WHITASSY001 if the dealer would like parts assembled. This is a no charge option.

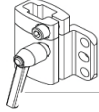



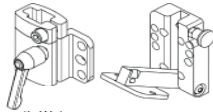
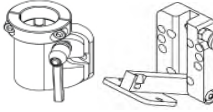
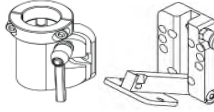
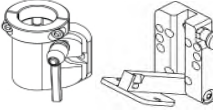


PAD			PRO		COBRA		COBRA-FB	
HEADS UP - COMMON SIZES	Fixed Arm	Large	<input type="checkbox"/> PRO-HUFALL	\$382	<input type="checkbox"/> COBRA-HUFALL	\$612	<input type="checkbox"/> FBCOB-HUFALL	\$729
		Medium	<input type="checkbox"/> PRO-HUFALV	\$382	<input type="checkbox"/> COBRA-HUFALV	\$612	<input type="checkbox"/> FBCOB-HUFALV	\$729
		Small	<input type="checkbox"/> PRO-HUFAML	\$382	<input type="checkbox"/> COBRA-HUFAML	\$612	<input type="checkbox"/> FBCOB-HUFAML	\$729
		Early Intervention	<input type="checkbox"/> PRO-HUFAMV	\$382	<input type="checkbox"/> COBRA-HUFAMV	\$612	<input type="checkbox"/> FBCOB-HUFAMV	\$729
		Early Intervention	<input type="checkbox"/> PRO-HUFASL	\$382	<input type="checkbox"/> COBRA-HUFASL	\$612	<input type="checkbox"/> FBCOB-HUFASL	\$729
		Early Intervention	<input type="checkbox"/> PRO-HUFASV	\$382	<input type="checkbox"/> COBRA-HUFASV	\$612	<input type="checkbox"/> FBCOB-HUFASV	\$729
	Swing-Away Arms*	Large	<input type="checkbox"/> PRO-HUFAEIL	\$382	<input type="checkbox"/> COBRA-HUFAEIL	\$612	<input type="checkbox"/> FBCOB-HUFAEIL	\$729
		Medium	<input type="checkbox"/> PRO-HUFAEIV	\$382	<input type="checkbox"/> COBRA-HUFAEIV	\$612	<input type="checkbox"/> FBCOB-HUFAEIV	\$729
		Small	<input type="checkbox"/> PRO-HUSALL	\$462	<input type="checkbox"/> COBRA-HUSALL	\$693	<input type="checkbox"/> FBCOB-HUSALL	\$809
		Early Intervention	<input type="checkbox"/> PRO-HUSALV	\$462	<input type="checkbox"/> COBRA-HUSALV	\$693	<input type="checkbox"/> FBCOB-HUSALV	\$809
		Early Intervention	<input type="checkbox"/> PRO-HUSAML	\$462	<input type="checkbox"/> COBRA-HUSAML	\$693	<input type="checkbox"/> FBCOB-HUSAML	\$809
		Early Intervention	<input type="checkbox"/> PRO-HUSAMV	\$462	<input type="checkbox"/> COBRA-HUSAMV	\$693	<input type="checkbox"/> FBCOB-HUSAMV	\$809
		Early Intervention	<input type="checkbox"/> PRO-HUSASL	\$462	<input type="checkbox"/> COBRA-HUSASL	\$693	<input type="checkbox"/> FBCOB-HUSASL	\$809
		Early Intervention	<input type="checkbox"/> PRO-HUSASV	\$462	<input type="checkbox"/> COBRA-HUSASV	\$693	<input type="checkbox"/> FBCOB-HUSASV	\$809
Early Intervention	<input type="checkbox"/> PRO-HUSAEIL	\$462	<input type="checkbox"/> COBRA-HUSAEIL	\$693	<input type="checkbox"/> FBCOB-HUSAEIL	\$809		
Early Intervention	<input type="checkbox"/> PRO-HUSAEIV	\$462	<input type="checkbox"/> COBRA-HUSAEIV	\$693	<input type="checkbox"/> FBCOB-HUSAEIV	\$809		

*See Page 2 for all configurations available

Mounting Brackets - Use HCPCS Code E1028








Head Support System Mounting Brackets must be ordered separately, except for COBRA

	AXYS	ONYX	LINX & LINX ²	PRO	
REMOVABLE MOUNTING BRACKET (PART SOLD SEPARATELY FROM POST & PAD)					COBRA mounting system includes detachable mounting bracket
Detachable	<input type="checkbox"/> M2500 \$122	<input type="checkbox"/> M2100-WB \$99	<input type="checkbox"/> M2300 \$190	<input type="checkbox"/> M2200-WB \$214	
REMOVABLE & SWING-AWAY MNT BRACKET (PART SOLD SEPARATELY FROM POST & PAD)					
Swing-Away	<input type="checkbox"/> M5500 \$231	<input type="checkbox"/> M5100 \$214	<input type="checkbox"/> M5300 \$306	<input type="checkbox"/> M5200 \$329	

HEADS UP - HEAD AND NECK POSITIONING SYSTEM ORDERING GUIDE

Head Support System Mounting Brackets must be ordered separately, except for COBRA

STEP 1: SELECT HARDWARE SYSTEM

							
	<input type="checkbox"/> AXYS-HU-	<input type="checkbox"/> ONYX-HU-	<input type="checkbox"/> LINX-HU-	<input type="checkbox"/> LINX2-HU-	<input type="checkbox"/> PRO-HU-	<input type="checkbox"/> COBRA-HU-	<input type="checkbox"/> FBCOB-HU-
W/O OCC Pad	\$410	\$410	\$410	\$451	\$462	\$693	\$809
W/ OCC Pad	\$525	\$525	\$525	\$566	\$578	\$809	\$925

BUILD YOUR HEADS UP SMART PART NUMBER

STEP 1 Enter Hardware System Part Number	
STEP 2 Enter I, S, M, or L	
STEP 3 Enter T or S	
STEP 4 Enter S or L	
STEP 5 Enter S or C	
STEP 6 Enter L or V	
STEP 7 (Optional) Enter -O5, -O6, -O8, or -O10	

STEP 2: SELECT NECK WIDTH


<input type="checkbox"/> I = Infant 3.3" wide <input type="checkbox"/> S = Small 4" wide <input type="checkbox"/> M = Medium 4.6" wide <input type="checkbox"/> L = Large 5.8" wide

STEP 4: SELECT SWING OUT SUPPORT ARM LENGTH


<input type="checkbox"/> S = Short <input type="checkbox"/> L = Long <i>Infant & Small: Short = 5.63" Long = 7.25"</i> <i>Medium & Large: Short = 7" Long = 9"</i>

STEP 5: SELECT FOAM TYPE

<input type="checkbox"/> S = Standard <input type="checkbox"/> C = Comfort

STEP 3: SELECT CONTOUR CRADLE HEIGHT

Tall 	Short shown with Occipital Pad (Step 7) 
<input type="checkbox"/> T = Tall <input type="checkbox"/> S = Short	

STEP 6: SELECT COVER

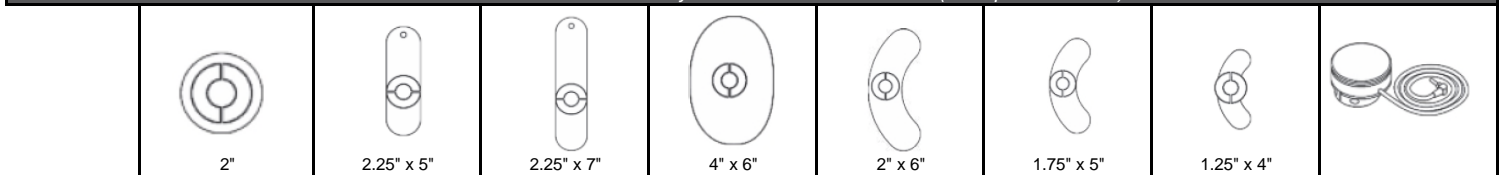
<input type="checkbox"/> L = Lycra Neoprene <input type="checkbox"/> V = Dartex Reversed

STEP 7: SELECT OPTIONAL OCC PADS

<i>Available on Short Heights Only</i>	
<input type="checkbox"/> -O5 = Pediatric 5" Pad (Short Infant Sizes)	
<input type="checkbox"/> -O6 = Adult 6" Pad (Short Small Sizes)	
<input type="checkbox"/> -O8 = Plush 8" Pad (Short Medium Sizes)	
<input type="checkbox"/> -O10 = Plush 10" Pad (Short Large Sizes)	
<input type="checkbox"/> N/A	

Lateral Facial Supports

Note: Cover Selection - Add L = Lycra or V = Dartex Reversed (Example: LFC-PLL)



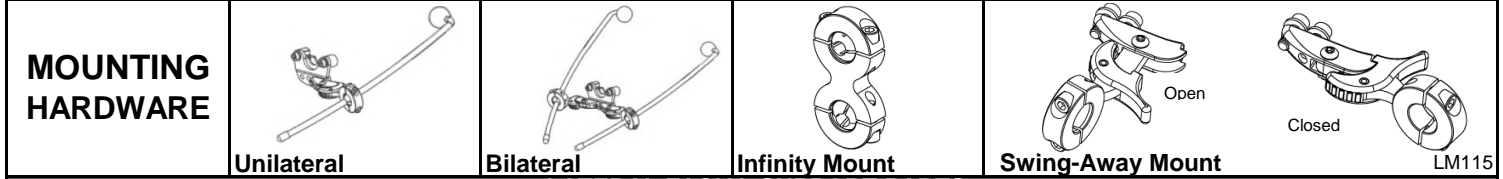
SPOT STANDARD LONG OVAL LARGE-C MED-C SMALL-C FSO-8

Unilateral	<input type="checkbox"/>	LFC10-CSL \$254 LM115 \$92	<input type="checkbox"/>	LFC15-CSL \$254 LM115 \$92	<input type="checkbox"/>	LFC20-CSL \$254 LM115 \$92	<input type="checkbox"/>	LFC25-CSL \$254 LM115 \$92	<input type="checkbox"/>	LFC30-CSL \$254 LM115 \$92	<input type="checkbox"/>	LFC35-CSL \$254 LM115 \$92	<input type="checkbox"/>	LFC40-CSL \$254 LM115 \$92	<input type="checkbox"/>	LFC80-CS \$295 LM115 \$92
	<input type="checkbox"/>	LFC10-CSV \$254 LM115 \$92	<input type="checkbox"/>	LFC15-CSV \$254 LM115 \$92	<input type="checkbox"/>	LFC20-CSV \$254 LM115 \$92	<input type="checkbox"/>	LFC25-CSV \$254 LM115 \$92	<input type="checkbox"/>	LFC30-CSV \$254 LM115 \$92	<input type="checkbox"/>	LFC35-CSV \$254 LM115 \$92	<input type="checkbox"/>	LFC40-CSV \$254 LM115 \$92		

Bilateral	<input type="checkbox"/>	LFC10-CS2L \$474 LM115 \$92 LM115 \$92	<input type="checkbox"/>	LFC15-CS2L \$474 LM115 \$92 LM115 \$92	<input type="checkbox"/>	LFC20-CS2L \$474 LM115 \$92 LM115 \$92	<input type="checkbox"/>	LFC25-CS2L \$474 LM115 \$92 LM115 \$92	<input type="checkbox"/>	LFC30-CS2L \$474 LM115 \$92 LM115 \$92	<input type="checkbox"/>	LFC35-CS2L \$474 LM115 \$92 LM115 \$92	<input type="checkbox"/>	LFC40-CS2L \$474 LM115 \$92 LM115 \$92	<input type="checkbox"/>	LFC80-CS2 \$541 LM115 \$92 LM115 \$92
	<input type="checkbox"/>	LFC10-CS2V \$474 LM115 \$92 LM115 \$92	<input type="checkbox"/>	LFC15-CS2V \$474 LM115 \$92 LM115 \$92	<input type="checkbox"/>	LFC20-CS2V \$474 LM115 \$92 LM115 \$92	<input type="checkbox"/>	LFC25-CS2V \$474 LM115 \$92 LM115 \$92	<input type="checkbox"/>	LFC30-CS2V \$474 LM115 \$92 LM115 \$92	<input type="checkbox"/>	LFC35-CS2V \$474 LM115 \$92 LM115 \$92	<input type="checkbox"/>	LFC40-CS2V \$474 LM115 \$92 LM115 \$92		

Pad Only*	<input type="checkbox"/>	PL10L \$82	<input type="checkbox"/>	PL15L \$116	<input type="checkbox"/>	PL20L \$116	<input type="checkbox"/>	P600L \$116	<input type="checkbox"/>	PL30L \$116	<input type="checkbox"/>	PL35L \$116	<input type="checkbox"/>	PL40L \$104	N/A
	<input type="checkbox"/>	PL10V \$82	<input type="checkbox"/>	PL15V \$116	<input type="checkbox"/>	PL20V \$116	<input type="checkbox"/>	P600V \$116	<input type="checkbox"/>	PL30V \$116	<input type="checkbox"/>	PL35V \$116	<input type="checkbox"/>	PL40V \$104	

Lateral Facial Supports

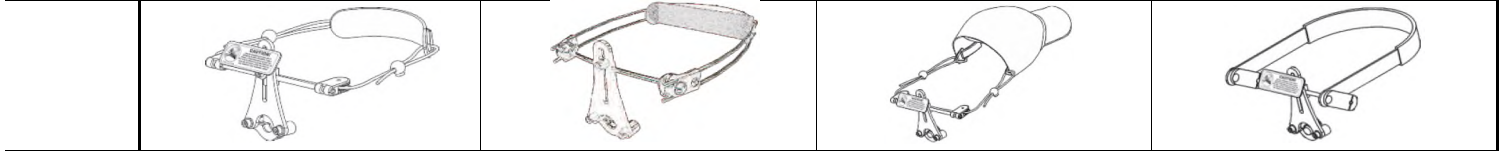


LATERAL FACIAL SUPPORT PARTS

**Note: If ordering an additional Lateral Facial Support, select both a Lateral Facial Support Pad Only from page 3 and an Infinity Mount from below as well*

✓	Option #	Definition	Price
<input type="checkbox"/>	242161	Infinity Dual Mount Assembly*	\$225
<input type="checkbox"/>	LM1010	Lateral Facial Support*	\$145


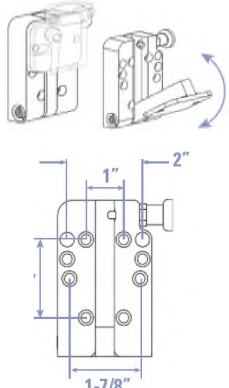
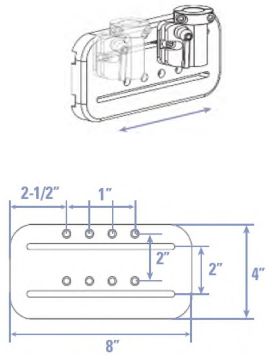
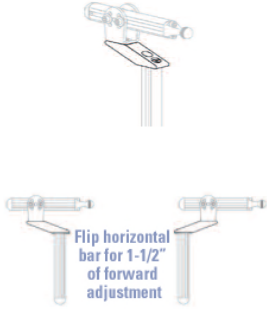
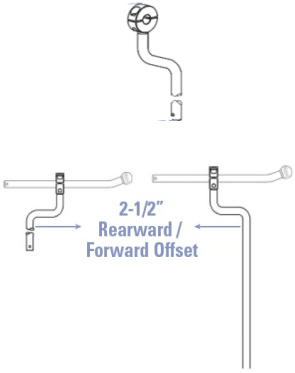
ANTERIOR HEAD SUPPORT



DYNAMIC FOREHEAD STRAP DFS² STRAP CAP STATIC FOREHEAD STRAP

ADULT	<input type="checkbox"/>	DFS10 \$334	<input type="checkbox"/>	DFSQ10 \$404	<input type="checkbox"/>	CAP10 (black) \$462	<input type="checkbox"/>	HU10 \$364
	PEDS	<input type="checkbox"/>	DFS30 \$334	<input type="checkbox"/>	DFSQ30 \$404	<input type="checkbox"/>		
						<input type="checkbox"/>	CAP30-B (blue) \$462	

MOUNTING OPTIONS

				
FLEX INTERFACE BRACKET	UNIVERSAL SWING-AWAY MOUNT	SLIDE MOUNT	PRO OFF-SET MOUNTING SYSTEM	ONYX REARWARD OFF-SET VERTICAL ROD

<input type="checkbox"/> M9450 (hard) \$214	<input type="checkbox"/> M5000 \$116	<input type="checkbox"/> M7010 \$110	<input type="checkbox"/> PRC7070 \$188	<input type="checkbox"/> OX6030 \$70
<input type="checkbox"/> M9451 (soft) \$214				

TOOLS

Option #	Definition	Price
<input type="checkbox"/> BOLT LUBE	Bolt Lube	\$10.00
<input type="checkbox"/> T2500	Tool Kit	\$8.00

Pad Styles

<h3>HEADS UP COMMON SIZES</h3>	 <p>Large HU-L 5.8" Neck Width 9" Long Arms Standard Foam</p>	 <p>Medium HU-M 4.6" Neck Width 9" Long Arms Standard Foam</p>	 <p>Small HU-S 4" Neck Width 5.6" Short Arms Standard Foam</p>	 <p>Early Intervention HU-I 3.3" Neck Width 5.6" Short Arms Standard Foam</p>
--------------------------------	---	--	--	---



Sunrise Medical (US) LLC
2842 Business Park Ave. · Fresno, CA 93727 · USA

Customer Service: 800-333-4000 Fax: 800-300-7502 Email: orders@sunmed.com www.sunrisemedical.com
Sunrise Medical (US) LLC. ©1/2024 MK-129444 REV. I