



**AES**  
**Made To Order Seating**  
 January 2024

**Mark For:** \_\_\_\_\_  
 Date: \_\_\_\_\_  
 Dealer Acct #: \_\_\_\_\_  
 Dealer: \_\_\_\_\_  
 Dealer Contact: \_\_\_\_\_  
 Dealer Address: \_\_\_\_\_  
 Dealer City: \_\_\_\_\_ ST: \_\_\_\_\_ ZIP: \_\_\_\_\_  
 Dealer Phone: ( ) \_\_\_\_\_ Fax: ( ) \_\_\_\_\_  
 Confirmation Email: \_\_\_\_\_  
 Confirm Via:  Fax  Email

**Submitting for:**  Quote  Order  
 PO#: \_\_\_\_\_

**ADDITIONAL SHIPPING INFORMATION**

Ship To: \_\_\_\_\_  
 Attention: \_\_\_\_\_  
 Address: \_\_\_\_\_  
 Address: \_\_\_\_\_  
 Ship To City: \_\_\_\_\_ ST: \_\_\_\_\_ ZIP: \_\_\_\_\_  
 Ship To Phone: ( ) \_\_\_\_\_ Fax: ( ) \_\_\_\_\_

The **HCPCS CODES** herein are based on PDAC verification or interpretation of Medicare definitions and guidelines. Non-Medicare payers may accept alternative **HCPCS CODES**, including misc. codes to ensure access for their enrollees. The use of **HCPCS CODES** does not ensure coverage or payment.

Thank you for choosing AES. In order to complete your order please complete the 3 sections below.

- (1) Wheelchair Information
- (2) Client Measurements
- (3) Seat Dimensions

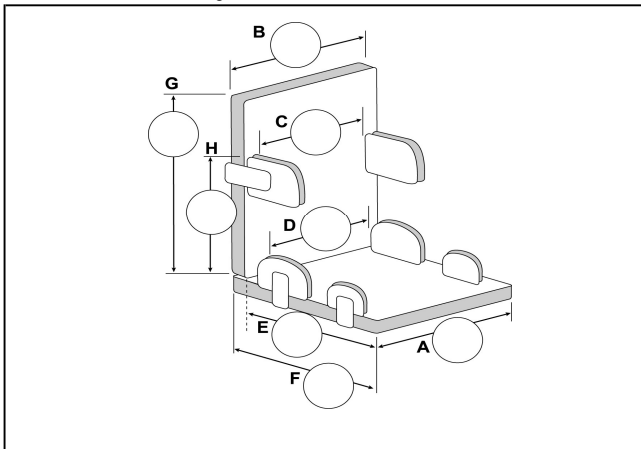
After completing these three sections please select your desired Seating System Package. (Seat & Back Package or Seat and/or Back Packages). Next you can select from all of our modifications to personalize the size, shape, foam, and countless others to fit your clients unique needs. Then if needed pick from a selection of Lateral Supports (Thoracic, Medial, etc.). Once your seating system is complete don't forget about Anterior Trunk Supports, Pelvic Supports, Knee Supports, Shoe Holders, and much more. Of course if you have any questions please feel free to contact our experienced Customer Service Team to help complete your AES order.

**1. WHEELCHAIR INFORMATION (REQUIRED)**

Model: \_\_\_\_\_ Model: \_\_\_\_\_  
 Color: \_\_\_\_\_  
 Tubing Size  3/4"  7/8"  1"  1-1/8"  X-Cape  
 Seat       
 Back       
 Frame Width: \_\_\_\_\_ Depth: \_\_\_\_\_ Push Handle Ht: \_\_\_\_\_  
 Chair Type:  Manual  Power  
 Installation:  To Frame  
  
 Hinges:  Flush Bk to Seat  Offset Bk to Seat  
 1.5"  3"  Adj.  
 Full Width Mount:  Back  Seat  
 Btwn Rail Mount:  Back  Seat  
 Monogram:  MOD5900 BLOCK  MOD5901 SCRIPT  
  
 Name: \_\_\_\_\_  
 Thread Color: \_\_\_\_\_  
 Client Contact Surface: \_\_\_\_\_  
 Client Contact Color: \_\_\_\_\_  
 Non-contact Surface:  (Std) Black  Other (specify) \_\_\_\_\_  
 Naugahyde

**3. SEAT DIMENSIONS**

Insert Measurements For Figure 3.1 in the Circles Provided

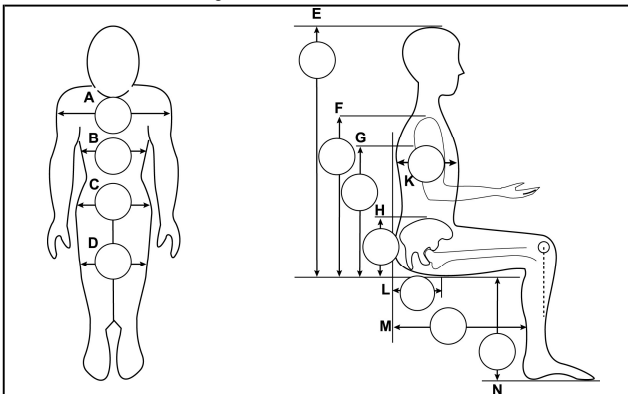


- |                                       |                                        |
|---------------------------------------|----------------------------------------|
| A. Seat Width                         | E. Usable Seat Depth                   |
| B. Back Width                         | F. Total Seat Depth                    |
| C. Distance Between Thoracic Laterals | G. Back Height                         |
| D. Distance Between Pelvic Laterals   | H. Seat to Top of Lateral Thoracic Pad |

**Figure 3.1 - Seat Dimensions**

**2. CLIENT MEASUREMENTS**

Insert Measurements For Figure 2.1 in the Circles Provided

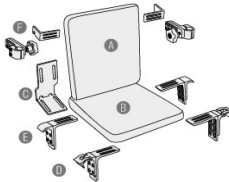


- |                            |                            |
|----------------------------|----------------------------|
| A. Shoulder Width          | G. Seat to AXILLA          |
| B. Chest Width             | H. Seat to PSIS            |
| C. Hip Width               | K. Chest Depth             |
| D. Width at Knee           | L. Back to Anterior of ITs |
| E. Seat to TOP of head     | M. Seat Depth              |
| F. Seat to TOP of Shoulder | N. Seat to Foot Plate      |

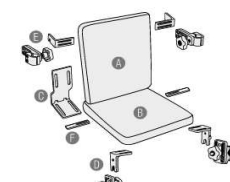
**Figure 2.1 - Client Measurements**

**NOTES:**

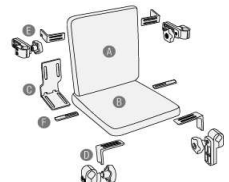
**SEATING SYSTEMS PACKAGES (Seat & Back)**

<input type="checkbox"/>	<b>PKG10XX</b>	E2609/E2617	<b>Universal/E-Z Mount Seating Package</b>	\$1,922
	A	SBP10XX	Solid Back Insert	\$376
	B	SSP10XX	Solid Seat Insert	\$290
	C	HDW1025	Std Seat To Back brkt	\$317
	D	HDW6850	1" EZ Mnt Brackets (2)	2x \$138
	E	HDW6853	Fixed EZ mnt brkts (2)	2x \$109
	F	HDW6820C	Unvrsl Back Clamp (2)	2x \$172
	F	HDW6823	Std Back L Bracket (2)	\$101

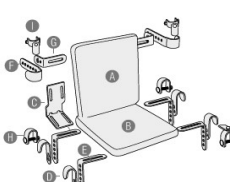
Note: Adjustment range up to 3" drop and up to 7" forward adjustment.  
 Note: Seat to Back Brackets can limit adjustment range.  
 Note: Please select tubing size required 3/4", 7/8", and 1".  
 Note: Hardware change required if Curved Back (MOD5500/5501/5502) is selected.

<input type="checkbox"/>	<b>PKG11XX</b>	E2609/E2617	<b>Universal Mount Seating Package</b>	\$2,029
	A	SBP10XX	Solid Back Insert	\$376
	B	SSP10XX	Solid Seat Insert	\$290
	C	HDW1025	Std Seat To Back brkt	\$317
	D	HDW6810C	Unvrsl Seat Clamp (2)	2x \$182
	D	HDW6813	Std Seat L brkt (2)	2x \$51
	E	HDW6820C	Unvrsl Back Clamp (2)	2x \$172
	E	HDW6823	Std Back L Bracket (2)	2x \$101
	F	HDW6303	Std Seat Tabs (2)	2x \$17


Note: Hardware change required if Curved Back (MOD5500/5501/5502) is selected.  
 Note: When WC20 is added appropriate transit approved hardware must be selected.

<input type="checkbox"/>	<b>PKG13XX</b>	E2609/E2617	<b>Universal Space-Saver Seating Package</b>	\$2,009
	A	SBP10XX	Solid Back Insert	\$376
	B	SSP10XX	Solid Seat Insert	\$290
	C	HDW1025	Std Seat To Back brkt	\$317
	D	HDW6820C	Unvrsl Back Clamp (2)	2x \$172
	D	HDW6813	Std Back L brkt (2)	2x \$51
	E	HDW6820C	Unvrsl Back Clamp (2)	2x \$172
	E	HDW6823	Std Back L Bracket (2)	2x \$101
	F	HDW6303	Std Seat Tabs (2)	2x \$17

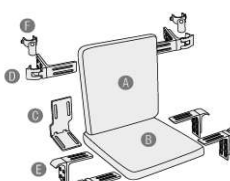
Note: Hardware change required if Curved Back (MOD5500/5501/5502) is selected.  
 Note: Please select tubing size required 3/4", 7/8", and 1".  
 Note: When WC20 is added appropriate transit approved hardware must be selected.

<input type="checkbox"/>	<b>PKG20XX</b>	E2609/E2617	<b>Adj "J" Hook Bracket Seating Package</b>	\$1,297
	A	SBP10XX	Solid Back Insert	\$376
	B	SSP10XX	Solid Seat Insert	\$290
	C	HDW1025	Std Seat To Back brkt	\$317
	D	HDW6230	2 Hole J Hook (4)	4x \$21
	E	HDW6150	5 Hole L brkt (4)	4x \$24
	F	HDW6236	6 Hole J Hook 1" (2)	2x \$20
	G	HDW6120	2 Hole L brkt (2)	2x \$21
	H	HDW6430	Seat Stop (2)	\$26
	I	HDW6465	Stop w/ Rotatn Hold (2)	\$26

Note: Hardware change required if Curved Back (MOD5500/5501/5502) is selected.  
 Note: Between rail or full width back option available.  
 Note: X-Brace cut out may need to be added (MOD4175) additional charges will apply.  
 Note: Please select tubing size required 3/4", 7/8", 1", 1-1/8", or Xcape Tubing.

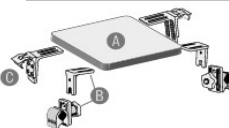
<input type="checkbox"/>	<b>PKG23XX</b>	E2609/E2617	<b>Ind Adj "J" Hook brkt Seating Package</b>	\$1,325
	A	SBP10XX	Solid Back Insert	\$376
	B	SSP10XX	Solid Seat Insert	\$290
	C	HDW1025	Std Seat To Back brkt	\$317
	D	HDW6300	Flush Hooks (4)	4x \$20
	E	HDW6310	Spacer (4)	4x \$17
	F	HDW6230	2 Hole J Hook (2)	2x \$21
	G	HDW6170	7 Hole L brkt (2)	2x \$24
	H	HDW6430	Seat Stop (2)	2x \$26
	I	HDW6465	Stop w/ Rotatn Hold (2)	2x \$26

Note: Hardware change required if Curved Back (MOD5500/5501/5502) is selected.  
 Note: Between rail or full width back option available.  
 Note: Please select tubing size required 3/4", 7/8", 1", 1-1/8", or Xcape Tubing.

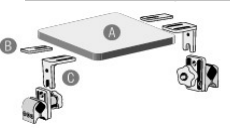
<input type="checkbox"/>	<b>PKG30XX</b>	E2609/E2617	<b>E-Z Mount Seating Package</b>	\$1,779
	A	SBP10XX	Solid Back Insert	\$376
	B	SSP10XX	Solid Seat Insert	\$290
	C	HDW1025	Std Seat To Back brkt	\$317
	D	HDW6850	EZ Mnt w brkt (4)	4x \$138
	E	HDW6853	EZ Mnt Fix brkt (2)	2x \$109
	F	HDW6465	Stop w/ Rotating Hold (2)	\$26

Note: Please select tubing size required 3/4", 7/8", and 1".  
 Note: Curved back (MOD5501/MOD5502) use HDW6856.  
 Note: Seat hardware accommodates up to 1-1/4" drop adjustment.  
 Note: Back hardware accommodates up to 1-3/8" forward adjustment.


**SEAT PACKAGES**

<input type="checkbox"/>	<b>SSK10XX</b>	E2609	<b>Universal / E-Z Mount Seat Package</b>	\$1,032
	A	SSP10XX	Solid Seat Insert	\$290
	B	HDW6810C	Unvrsl Seat Clamp (2)	2x \$182
	B	HDW6813	Std Back L brkt (2)	2x \$51
	C	HDW6850	1" EZ Mount brkts (2)	2x \$138

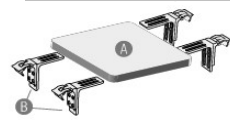
Note: When WC20 is added appropriate transit approved hardware must be selected.

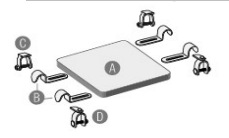
<input type="checkbox"/>	<b>SSK17XX</b>	E2609	<b>Universal Mount Seat Package</b>	\$790
	A	SSP10XX	Solid Seat Insert	\$290
	B	HDW6303	Std Seat Tabs (2)	2x \$17
	C	HDW6810C	Unvrsl Seat Clamp (2)	2x \$182
	C	HDW6813	Std Back L brkt (2)	2x \$51

Note: Configured to be ordered with SBK17XX.  
 Note: When WC20 is added appropriate transit approved hardware must be selected.  
 Note: MOD4800 Seat Rail Foam Overlay not available with Transport Option.

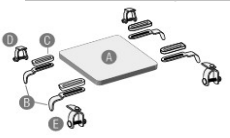
<input type="checkbox"/>	<b>SSK20XX</b>	E2609	<b>Adj "J" Hook &amp; Rotate Hold Seat Package</b>	\$424
	A	SSP10XX	Solid Seat Insert	\$290
	B	HDW6236	6 Hole J Hook 1" (2)	2x \$20
	C	HDW6120	2 Hole L brkt (2)	2x \$21
	D	HDW6460	Stop w/ Fixed Hold (2)	\$26
	E	HDW6465	Stop w/ Rotating Hold (2)	\$26

Note: Optional Full width option available Via 2 Hole J Hook and 5 Hole L Bracket.  
 Note: MOD4175 Mid-seat Cutout for X-Braces is included.

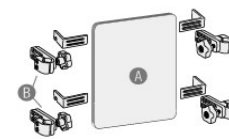
<input type="checkbox"/>	<b>SSK30XX</b>	E2609	<b>E-Z Mount Seat Package</b>	\$842
	A	SSP10XX	Solid Seat Insert	\$290
	B	HDW6850	1" EZ Mount brkts (4)	4x \$138

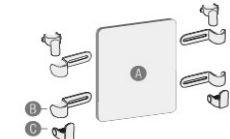
<input type="checkbox"/>	<b>SSK50XX</b>	E2609	<b>Drop Hook &amp; Rotate Hold Seat Package</b>	\$410
	A	SSP10XX	Solid Seat Insert	\$290
	B	HDW6725	1-1/2" Drop Hks (4)	4x \$17
	C	HDW6460	Stop w/ Fixed Hold (2)	\$26
	D	HDW6465	Stop w/ Rotating Hold (2)	\$26

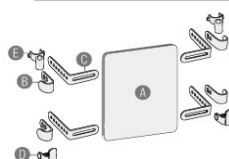
Note: 1-1/2" drop is standard, specify if other is required.

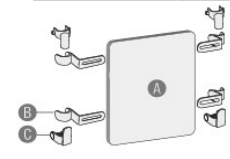
<input type="checkbox"/>	<b>SSK55XX</b>	E2609	<b>Flush Hook &amp; Rotate Hold Package</b>	\$490
	A	SSP10XX	Solid Seat Insert	\$290
	B	HDW6300	Flush Hooks (4)	4x \$20
	C	HDW6310	Spacer (4)	4x \$17
	D	HDW6460	Stop w/ Fixed Hold (2)	\$26
	E	HDW6465	Stop w/ Rotating Hold (2)	\$26

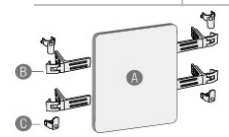
### BACK PACKAGES

<input type="checkbox"/>	SBK10XX	E2617	Universal Mount Back Package	\$1,266				
								
					A	SBP10XX	Solid Back Insert	\$376
					B	HDW6820C	Unwrsl Back Clamp (4)	4x \$172
Note: Up to 3" rear adjustment Note: Up to 7" forward adjustment can be attained by reversing orientation of clamp bracket (B). Note: When WC20 is added appropriate transit approved hardware must be selected.								

<input type="checkbox"/>	SBK12XX	E2617	Drop Hook & Fixed Holds(Between)	\$496				
								
					A	SBP10XX	Solid Back Insert	\$376
					B	HDW6725	1-1/2" Drop Hks (4)	4x \$17
Note: Mounts between back uprights. Note: Not recommended for use with CURVED Wood backs, please use MOD5530 Curved Foam. Note: Standard hardware has 1-1/2" drop. Specify if other is required.								

<input type="checkbox"/>	SBK20XX	E2617	Adj "J" Hook & Fixed/Rotate Hold	\$608				
								
					A	SBP10XX	Solid Back Insert	\$376
					B	HDW6230	2 Hole J Hook (4)	4x \$21
					C	HDW6170	7 Hole L brkt (4)	4x \$24
					D	HDW6460	Stop w/ Fixed Hold (2)	\$26
Note: Std 7-Hole L brkt allows for up to 1" drop and up to 1-1/2" forward adjustment & mnts forward of back uprights. Note: Optional between uprights available (6-Hole J-Hook allows for drop range: 7/8" up to 3") Note: If ordering a Curved back (MOD5500) switch bracket to 110 degree (HDW6175), or use Curved Foam (MOD5530) instead.								

<input type="checkbox"/>	SBK24XX	E2617	Mount Hook & Fixed Hold (Forward)	\$600				
								
					A	SBP10XX	Solid Back Insert	\$376
					B	HDW6331	Mntng Hk 1" Lift (4)	4x \$43
Note: Mounts forward of back uprights. Note: Standard 1" of Lift Note: Not recommended for use with CURVED backs, please use MOD5530 Curved Foam.								

<input type="checkbox"/>	SBK25XX	E2617	E-Z Mount Back Package	\$704				
								
					A	SBP10XX	Solid Back Insert	\$376
					B	HDW6850	EZ Mnt w brkt (4)	2x \$138
Note: 10 to 15 angle adjustment Note: Up to 1-3/8" drop and forward adjustment Note: Clamp accommodates 7/8" or 1" diameter W/C tubes. Note: Not available for use with CURVED backs, please use MOD5530 Curved Foam.								

#### SEATING SYSTEM TRANSIT OPTION

<input type="checkbox"/>	MODWC20	TRANSIT OPTION HARDWARE	\$327
--------------------------	---------	-------------------------	-------

### SEAT MODIFICATIONS

Foam Construction			
<input type="checkbox"/>	Single Layer Foam		
<input type="checkbox"/>	2 Layer Foam		
<input type="checkbox"/>	3 Layer Foam		
<input type="checkbox"/>	Omit Back Foam		
Foam Layer Density			
	Top	Middle	Bottom
HR Foam-50	<input type="checkbox"/>	<input type="checkbox"/>	<input type="checkbox"/>
HR Foam-70	<input type="checkbox"/>	<input type="checkbox"/>	<input type="checkbox"/>
T Foam-XS (Yellow)	<input type="checkbox"/>	<input type="checkbox"/>	<input type="checkbox"/>
T Foam-S (Pink)	<input type="checkbox"/>	<input type="checkbox"/>	<input type="checkbox"/>
Sunmate-Soft	<input type="checkbox"/>	<input type="checkbox"/>	<input type="checkbox"/>
Sunmate-Medium	<input type="checkbox"/>	<input type="checkbox"/>	<input type="checkbox"/>
Sunmate-MediumSoft	<input type="checkbox"/>	<input type="checkbox"/>	<input type="checkbox"/>
Sunmate-Firm	<input type="checkbox"/>	<input type="checkbox"/>	<input type="checkbox"/>
Pudgee	<input type="checkbox"/>	<input type="checkbox"/>	<input type="checkbox"/>
Stimulite - Honeycomb	<input type="checkbox"/>	<input type="checkbox"/>	<input type="checkbox"/>
Gel	<input type="checkbox"/>	<input type="checkbox"/>	<input type="checkbox"/>
JAY - Flow Fluid	<input type="checkbox"/>	N/A	N/A

Notes

**SEAT MODIFICATIONS – STRUCTURAL**

<input type="checkbox"/>	MOD4075		Two Piece Cushion & Base Seat	\$238
<input type="checkbox"/>	MOD4150		Notches for Back Posts 2" X 2"	N/C
<input type="checkbox"/>	MOD4153		Notches for Back Posts 3" deep	N/C
<input type="checkbox"/>	MOD4155		Notches Frnt Hngrs (Wood Only)	N/C
<input type="checkbox"/>	MOD4159		Notches Back Post, Seat, Cus	\$58
<input type="checkbox"/>	MOD4170		Sub 1/2" Plastitech Seat	\$58
<input type="checkbox"/>	MOD4175		Mid Seat Cutout for X-Brace	\$159
<input type="checkbox"/>	MOD4200L		Offset Seat, Long on Left side	\$159
<input type="checkbox"/>	MOD4200R		Offset Seat, Long on Right side	\$159
<input type="checkbox"/>	MOD4300		T-style Seat	\$172
<input type="checkbox"/>	MOD4400		Anti-Thrust Seat	\$260
<input type="checkbox"/>	MOD4450		Quick-Fit Anti-Thrust Seat	\$615
<input type="checkbox"/>	MOD4460		Wedge Seat	\$269
<input type="checkbox"/>	MOD4500		Cubed Seat (2"x2"x2" HR foam)	\$615
<input type="checkbox"/>	MOD4525		Personalized Cubes, Seat	\$716
<input type="checkbox"/>	MOD4600	E2294	Contour Seat	\$521
<input type="checkbox"/>	MOD4605		Leg Trough Cut Into Seat	\$203
<input type="checkbox"/>	MOD4611		Contoured Mod w/Pel Well Mild	\$521
<input type="checkbox"/>	MOD4612		Contoured Mod w/Pel Well Med	\$521
<input type="checkbox"/>	MOD4613		Contoured Mod w/Pel Well Aggr	\$521
<input type="checkbox"/>	MOD4614		Contoured Mod w/Pel Well Cust	\$521
<input type="checkbox"/>	MOD4630		Quick-Fit Contoured Seat	\$795
<input type="checkbox"/>	MOD4640L		Lateral Reinforcement, Seat, Left	\$159
<input type="checkbox"/>	MOD4640R		Lateral Reinforcement, Seat, Right	\$159
<input type="checkbox"/>	MOD4650		Substitute ABS for Multi-Ply in Seat	\$216
<input type="checkbox"/>	MOD4655L		Belt Strap Notches, Seat, Left	\$32
<input type="checkbox"/>	MOD4655R		Belt Strap Notches, Seat, Right	\$32
<input type="checkbox"/>	MOD4700		Built-in Medial Thigh Support	\$310
<input type="checkbox"/>	MOD4725		Contour Lateral Adductor	\$310
<input type="checkbox"/>	MOD4800		Seat Rail Foam Overlay	\$191
<input type="checkbox"/>	MOD4825		Seat - Front Edge Bevel Undercut	\$191
<input type="checkbox"/>	MOD4850L		Pelvic Obliquity Addition (Up to 1") Left	\$216
<input type="checkbox"/>	MOD4850R		Pelvic Obliquity Addition (Up to 1") Right	\$216
<input type="checkbox"/>	MOD4900		Adjustable Split Seat	\$716
<input type="checkbox"/>	MOD5000		I-Style Seat	\$172
<input type="checkbox"/>	MOD5700		Substitute 3/4" Multi-Ply for 1/2"	\$103
<input type="checkbox"/>	MOD6827		No Seat Cushion	N/C
<input type="checkbox"/>	MOD6828		Add Folding Hinge Bracket	\$191
<input type="checkbox"/>	MOD6860L		Seat Mount L Bracket, TRANS, L	\$44
<input type="checkbox"/>	MOD6860R		SEAT MOUNT L brkt, TRANS, R	\$44
<input type="checkbox"/>	MOD6861L		SEAT MOUNT L brkt, TRANS, SH/L	\$44
<input type="checkbox"/>	MOD6861R		SEAT MOUNT L brkt, TRANS, SH/R	\$44
<input type="checkbox"/>	MOD8000		Omit T-Nuts	N/C
<input type="checkbox"/>	MOD9050		Oversize, over 20" up to 24"	\$109
<input type="checkbox"/>	MOD9075		Oversize, over 24" up to 28"	\$159

**SEAT MODIFICATIONS - UPHOLSTERY**

<input type="checkbox"/>	MOD4125		Attaching Strips, Bottom, Loop (STD)	\$58
<input type="checkbox"/>	MOD4125H		Attaching Strips, Bottom, Hook	\$58
<input type="checkbox"/>	MOD4126		Attaching Strips, Top, Hook	\$58
<input type="checkbox"/>	MOD4130		Non-Skid Added to Bottom	\$71
<input type="checkbox"/>	MOD4131		Non-Skid Added to Top	\$71
<input type="checkbox"/>	MOD5120		Add Velcro Closure, Made To Order	\$216
<input type="checkbox"/>	MOD5130		Add Synthetic Sheepskin Cover, Beige	\$260
<input type="checkbox"/>	MOD5150		Incontinent Film Covering	\$145
<input type="checkbox"/>	MOD5192		Add Zip Seat Top Face Only	\$191
<input type="checkbox"/>	MOD5600		Sewn Positioning Strap Slot (Pair)	\$159

**SEAT MODIFICATIONS - FOAM**

<input type="checkbox"/>	MOD0050		Omit Foam in Seat	N/C
<b>HR FOAM</b>				
<input type="checkbox"/>	MOD1005		1/2" HR Foam in Seat	N/C
<input type="checkbox"/>	MOD1100		1" HR Foam in Seat	N/C
<input type="checkbox"/>	MOD1150		1-1/2" HR Foam in Seat	N/C
<input type="checkbox"/>	MOD1200		2" HR Foam in Seat	\$51
<input type="checkbox"/>	MOD1300		3" HR Foam in Seat	\$71
<b>PUDGEE FOAM</b>				
<input type="checkbox"/>	MOD1405		Additional 1/2" Pudgee Foam in Seat	\$260
<input type="checkbox"/>	MOD1400		1" Pudgee Foam in Seat	\$390
<input type="checkbox"/>	MOD1495		1" Pudgee Foam Partial Insert	\$290
<b>T FOAM</b>				
<input type="checkbox"/>	MOD1605		1/2" T-Foam in Seat	\$87
<input type="checkbox"/>	MOD1600		1" T-Foam in Seat	\$151
<input type="checkbox"/>	MOD1615		1-1/2" T-Foam in Seat	\$172
<input type="checkbox"/>	MOD1700		2" T-Foam in Seat	\$216
<b>SUNMATE FOAM</b>				
<input type="checkbox"/>	MOD1805		1/2" SunMate Foam in Seat	\$65
<input type="checkbox"/>	MOD1800		1" SunMate Foam in Seat	\$124
<input type="checkbox"/>	MOD1815		1-1/2" SunMate Foam in Seat	\$159
<input type="checkbox"/>	MOD1900		2" SunMate Foam in Seat	\$182
<input type="checkbox"/>	MOD1816		1/2" SSM over 1" MSM Foam In seat	\$159
<input type="checkbox"/>	MOD1817		1" SSM over 1/2" MSM Foam in Seat	\$159
<b>JAY FLOW FLUID</b>				
<input type="checkbox"/>	MOD1505		Pressure Relief Pads/Ischial	\$376
<b>GEL</b>				
<input type="checkbox"/>	MOD1500		5/8" Gel over 1-1/2" HR Foam in Seat	\$333
<input type="checkbox"/>	MOD1525		1/2" Cubed Gel over 1-1/2" HR Foam St	\$390
<input type="checkbox"/>	MOD1595		5/8" Gel Partial Insert	\$264
<b>STIMULITE HONEYCOMB</b>				
<input type="checkbox"/>	MOD1185		1/2" Stimulite Honeycomb, Seat	\$310
<input type="checkbox"/>	MOD1180		1" Stimulite Honeycomb, Seat	\$390
<input type="checkbox"/>	MOD1195		Partial Stimulite Honeycomb, Insert	\$310

**ADDITIONAL SEAT COVERS**

<input type="checkbox"/>	COV4100		Additional Zippered Cover, Flat, Std	\$191
<input type="checkbox"/>	COV4109		Additional Zippered Cover, Made To Order	\$260
<input type="checkbox"/>	COV4110		Additional Slip Over Cover, Flat, Std	\$191
<input type="checkbox"/>	COV4119		Additional Slip Over Cover, Made To Order	\$260
<input type="checkbox"/>	COV99XX		Additional Zippered Cover Foam Form	\$716

**BACK MODIFICATIONS**

**BACK MODIFICATIONS – STRUCTURAL**

<input type="checkbox"/>	MOD1045	Adj Offset Hinge, Wide in Pkg	\$124
<input type="checkbox"/>	MOD1055	Adj Offset Hinge, Ped in Pkg	\$124
<input type="checkbox"/>	MOD5075	2 Piece Cush & Base Back (1/2" Wood)	\$246
<input type="checkbox"/>	MOD5125	Add Hook/Loop Closure Back	\$210
<input type="checkbox"/>	MOD5170	Sub 1/2" Plastitech Back	\$58
<input type="checkbox"/>	MOD5180	Foam Form Back	\$716
<input type="checkbox"/>	MOD5194	cen & Top Edge Zip Hidn Back	N/C
<input type="checkbox"/>	MOD5200	I-Style Back	\$182
<input type="checkbox"/>	MOD5300	T-Style Back	\$182
<input type="checkbox"/>	MOD5425	Half-Round Lumbar Roll - Internal	\$253
<input type="checkbox"/>	MOD5426	Half-Round Lumbar Roll w/ Strap	\$253
<input type="checkbox"/>	MOD5450	Adj Angle Bi-Angular Back w/ 2 brkts	\$528
		<i>Not Available with Curved wood</i>	
<input type="checkbox"/>	MOD5451	Adj Angle Bi-Angular Back w/ 1 brkt	\$348
<input type="checkbox"/>	MOD5452	Adj Bi-Ang Back 2 Piece cover	\$716
<input type="checkbox"/>	MOD5455	Sub 1/2" Plastitech Base & Cush, Back	\$93
<input type="checkbox"/>	MOD5460	Adjustable Lumbar Back 5.5" Adj Range	\$571
<input type="checkbox"/>	MOD5462	Adjustable Lumbar Back 7.5" Adj Range	\$571
<input type="checkbox"/>	MOD5475	Revers Bi-Angular Back - Fixed	\$310
<input type="checkbox"/>	MOD5500	Curved Back	\$253
<input type="checkbox"/>	MOD5501	Curved Back, w/ 2 hinged L brkts	\$310
<input type="checkbox"/>	MOD5502	Curved Back, w/ 4 Hinged L brkts	\$340
<input type="checkbox"/>	MOD5510	Curved Lateral Thor Pad Mod	\$26
<input type="checkbox"/>	MOD5530	Curved Foam Addition to Flat Back	\$203
<input type="checkbox"/>	MOD5550	Cubed Back (2"x2"x2" HR foam)	\$586
<input type="checkbox"/>	MOD5575	Personalized Cubes, Back	\$716
<input type="checkbox"/>	MOD5600	Sewn Anterior Position Strap Slots (PR)	\$159
<input type="checkbox"/>	MOD5605	T-Nut For Strap Pos Hdw	N/C
<input type="checkbox"/>	MOD5610	Shoulder Strap Mnt Through Back	\$210
<input type="checkbox"/>	MOD5620	Attaching Tie W/Velcro Back	\$36
<input type="checkbox"/>	MOD5621	Attaching Tie W/ Snaps Back	\$32
<input type="checkbox"/>	MOD5622	Attaching Ties Loops Back	\$32
<input type="checkbox"/>	MOD5650	Substitute ABS (1/2") for Multi-Ply in Back	\$260
<input type="checkbox"/>	MOD5700	Replace 3/4" Multi-Ply with 1/2"	\$101
<input type="checkbox"/>	MOD5705	Replace 1/2" Multi-Ply with 3/4"	\$101
<input type="checkbox"/>	MOD5800	Contour Back	\$441
<input type="checkbox"/>	MOD5801	Quick-Fit Contour/Bi-Angular Back	\$875
<input type="checkbox"/>	MOD5802	Quick-Fit Contour Back Only	\$716
<input type="checkbox"/>	MOD5804	Contour Fixed Lumbar Wedge	\$282
<input type="checkbox"/>	MOD5835	Harn's Strap Notches, Top Edge of Back	\$145
<input type="checkbox"/>	MOD5849	ABS back with side walls Back	\$398
<input type="checkbox"/>	MOD5850	Scapular Contour Cutout, Back	\$269
<input type="checkbox"/>	MOD5855	Top Edge Angle Cut, Back	\$159
<input type="checkbox"/>	MOD5860	Large Radius Corners For Back	N/C
<input type="checkbox"/>	MOD8100	Omit T-Nuts, Back	N/C
<input type="checkbox"/>	MOD9150	Oversize, over 20" up to 24"	\$124
<input type="checkbox"/>	MOD9175	Oversize, over 24" up to 28"	\$172

**BACK MODIFICATIONS – UPHOLSTERY**

<input type="checkbox"/>	MOD5115	Add Faux Sheepskin to Back	\$317
<input type="checkbox"/>	MOD5135	Add Synthetic Sheepskin Cover, Beige	\$260
<input type="checkbox"/>	MOD5125	Add Velcro Closure, Made To Order	\$210
<input type="checkbox"/>	MOD5127	Privacy Flap 12" Long	\$159
<input type="checkbox"/>	MOD5165	Removable top Cover Zipper at Center	\$216
<input type="checkbox"/>	MOD5610	Shoulder Strap Mounting Grommets	\$210
<input type="checkbox"/>	MOD5620	Attaching Ties for Back, Velcro	\$36
<input type="checkbox"/>	MOD5621	Attaching Ties for Back, Snaps	\$32
<input type="checkbox"/>	MOD5900	Monogram Back, Block	N/C
<input type="checkbox"/>	MOD5901	Monogram Back, Script	N/C
<input type="checkbox"/>	MOD5902	Monogram Stock Design	N/C
<input type="checkbox"/>	MOD5909	Monogram Back, Made To Order	Quote

**BACK MODIFICATIONS – FOAM**

<input type="checkbox"/>	MOD0055	Omit Foam in Back	N/C	
<b>HR FOAM</b>				
<input type="checkbox"/>	MOD2005	1/2" HR Foam in Back	N/C	
<input type="checkbox"/>	MOD2100	1" HR Foam in Back	N/C	
<input type="checkbox"/>	MOD2150	1-1/2" HR Foam in Back	N/C	
<input type="checkbox"/>	MOD2200	2" HR Foam in Back	\$51	
<input type="checkbox"/>	MOD2300	3" HR Foam in Back	\$80	
<b>PUDGEE FOAM</b>				
<input type="checkbox"/>	MOD2400	1" Pudgee Foam in Back	\$370	
<input type="checkbox"/>	MOD2405	Additional 1/2" Pudgee Foam in Back	\$260	
<input type="checkbox"/>	MOD2495	1" Partial Pudgee Foam in Back	\$290	
<b>T FOAM</b>				
<input type="checkbox"/>	MOD2605	1/2" T-Foam in Back	\$87	
<input type="checkbox"/>	MOD2600	1" T-Foam in Back	\$151	
<input type="checkbox"/>	MOD2615	1-1/2" T-Foam in Back	\$172	
<input type="checkbox"/>	MOD2700	2" T-Foam in Back	\$210	
<b>SUNMATE FOAM</b>				
<input type="checkbox"/>	MOD2805	1/2" SunMate in Back	\$65	
<input type="checkbox"/>	MOD2800	1" SunMate Foam in Back	\$138	
<input type="checkbox"/>	MOD2815	1-1/2" SunMate in Back	\$151	
<input type="checkbox"/>	MOD2900	2" SunMate Foam in Back	\$189	
<input type="checkbox"/>	MOD2801	1/2" SSM OVER 1/2" MSM, BACK	\$138	
<input type="checkbox"/>	MOD2804	1" SSM OVER 1/2" HR FOAM, BACK	\$138	
<b>JAY FLOW FLUID</b>				
<input type="checkbox"/>	MOD2505	Spinal Pressure Relief Pad	\$534	
<b>GEL</b>				
<input type="checkbox"/>	MOD2500	5/8" Gel & 1" HR Foam in Back	\$348	
<input type="checkbox"/>	MOD2595	5/8" Gel Partial & 1" HR Foam in Back	\$290	
<b>STIMULITE HONEYCOMB</b>				
<input type="checkbox"/>	MOD2185	1/2" Stimulite in Back	\$290	
<input type="checkbox"/>	MOD2180	1" Stimulite in Back	\$412	
<input type="checkbox"/>	MOD2195	Partial Stimulite in Back	\$275	
<b>FOAM-IN-PLACE</b>				
<input type="checkbox"/>	MOD5180	Foam-in-Place BACK Soft	\$716	
<b>BACK MODIFICATIONS - INTERNAL</b>				
<input type="checkbox"/>	FTK10XX	E0956	Thrcic Support Kit Foam Form 5"Hx5"D	\$478
<input type="checkbox"/>	FTK11XX	E0956	Thrcic Support Kit Foam Form 7"Hx5"D	\$571
<input type="checkbox"/>	FTK12XX	E0956	Thrcic Support Kit Foam Form 9"Hx6"D	\$434
<input type="checkbox"/>	FTK13XX	E0956	Thrcic Support Kit Foam Form 11"Hx7"D	\$478
<input type="checkbox"/>	FTK19XX		Thrcic Support Kit, Foam Form, Made To Order	\$607

**ADDITIONAL BACK COVERS**

<input type="checkbox"/>	COV5100	Additional Zippered Cover, Flat, Std	\$195
<input type="checkbox"/>	COV5109	Additional Zippered Cover, Made To Order	\$275
<input type="checkbox"/>	COV5110	Additional Slip Over Cover, Flat, Std	\$203
<input type="checkbox"/>	COV5119	Additional Slip Over Cover, Made To Order	\$282
<input type="checkbox"/>	COV99XX	Add Zipper Cover Foam-in-place	\$716

## LATERAL THORACIC SUPPORTS

### LATERAL THORACIC SUPPORT PACKAGES

<input type="checkbox"/>	LTK22XX	E0956	Std profile bracket - Flat Pad - Each	\$195
	<input type="checkbox"/> Left		<input type="checkbox"/> Right <input type="checkbox"/> Pair	
<input type="checkbox"/>	LTK23XX	E0956	Std profile bracket - Curved Pad - Each	\$275
	<input type="checkbox"/> Left		<input type="checkbox"/> Right <input type="checkbox"/> Pair	
<input type="checkbox"/>	LTK24XX	E0956	Med/High profile brkt - Flat Pad - Each	\$253
	<input type="checkbox"/> Left		<input type="checkbox"/> Right <input type="checkbox"/> Pair	
<input type="checkbox"/>	LTK25XX	E0956/E1028	E-Z Access SA brkt - Flat Pad - Each	\$521
	<input type="checkbox"/> Left		<input type="checkbox"/> Right <input type="checkbox"/> Pair	
<input type="checkbox"/>	LTK27XX	E0956/E1028	E-Z Access SA brkt - Crvd Pad - Each	\$534
	<input type="checkbox"/> Left		<input type="checkbox"/> Right <input type="checkbox"/> Pair	
<input type="checkbox"/>	LTK30XX	E0956/E1028	E-Z Access SA w/ Frnt Adj - Flat - Each	\$586
	<input type="checkbox"/> Left		<input type="checkbox"/> Right <input type="checkbox"/> Pair	
<input type="checkbox"/>	LTK34XX	E0956	Lat Thor W/ Fixed MOD brkt -Flat-Each	\$390
	<input type="checkbox"/> Left		<input type="checkbox"/> Right <input type="checkbox"/> Pair	
<input type="checkbox"/>	LTK35XX	E0956/E1028	Rear Quick Adjust (RQA) brkt -Flat- Each	\$521
	<input type="checkbox"/> Left		<input type="checkbox"/> Right <input type="checkbox"/> Pair	
<input type="checkbox"/>	LTK37XX	E0956/E1028	E-Z Access & RQA brkt -Flat- Each	\$592
	<input type="checkbox"/> Left		<input type="checkbox"/> Right <input type="checkbox"/> Pair	
<input type="checkbox"/>	LTK40XX	E0956	Reverse Offset (1.5") brkt -Flat- Each	\$310
	<input type="checkbox"/> Left		<input type="checkbox"/> Right <input type="checkbox"/> Pair	
<input type="checkbox"/>	LTK45XX	E0956/E1028	Lat Thor w/ Removable brkt -Flat- Each	\$478
	<input type="checkbox"/> Left		<input type="checkbox"/> Right <input type="checkbox"/> Pair	
<input type="checkbox"/>	LTK47XX	E0956/E1028	Removable & RQA brkt -Flat- Each	\$571
	<input type="checkbox"/> Left		<input type="checkbox"/> Right <input type="checkbox"/> Pair	

### LATERAL THORACIC SUPPORT MODIFICATIONS

<input type="checkbox"/>	MOD2550	1/4" Gel in Thoracic Support	\$71
<input type="checkbox"/>	MOD2650	1/2" T-Foam in Thoracic Support	\$58
<input type="checkbox"/>	MOD2750	1/2" Pudgee in Thoracic Support	\$71
<input type="checkbox"/>	MOD2850	1/2" SunMate in Thoracic Support	\$25
<input type="checkbox"/>	MOD2861	1" SunMate in Thoracic Support	\$25
<input type="checkbox"/>	MOD2950	Taper Front Edge of Thoracic Support	\$25
<input type="checkbox"/>	MOD3000	Replace Multi-Ply with ABS	\$17
<input type="checkbox"/>	MOD3001	Flat Metal Base up to 5x6"	\$36
<input type="checkbox"/>	MOD3011	Curved Metal Base up to 5X6"	\$36
<input type="checkbox"/>	MOD3100	Add Waterfall Foam to Thoracic Support	\$71
<input type="checkbox"/>	MOD3150	Contour-Fit Pad	\$93
<input type="checkbox"/>	MOD3175	Hinged Pad	\$238
<input type="checkbox"/>	MOD5510	Curved Lateral Pad	\$26
<input type="checkbox"/>	MOD6803	Curved Back Bracket	N/C

### LATERAL THORACIC ADDITIONAL HARDWARE AND COVERS

<input type="checkbox"/>	HDW2025	1/4" Bracket Spacer	\$26
<input type="checkbox"/>	HDW2050	1/2" Bracket Spacer	\$26
<input type="checkbox"/>	HDW2521	1" Height Adapter Plate	\$46
<input type="checkbox"/>	HDW2522	2" Height Adapter Plate	\$46
<input type="checkbox"/>	HDW2523	3" Height Adapter Plate	\$46
<input type="checkbox"/>	COV2656	Lateral Bracket Fabric Cover (Ped)	\$48
<input type="checkbox"/>	COV2666	Lateral Bracket Fabric Cover (Short)	\$48
<input type="checkbox"/>	COV2657	Lateral Bracket Fabric Cover (1" Offset)	\$48
<input type="checkbox"/>	COV2667	Lateral Bracket Fabric Cover (2" Offset)	\$48

## LATERAL PELVIC/HIGH SUPPORTS

### LATERAL PELVIC/HIGH SUPPORT PACKAGES

Note: Pads can be built up to 5" High and 18" Long

<input type="checkbox"/>	LPK22XX	E0956	Standard profile brkt w/ Pad - Each	\$210
	<input type="checkbox"/> Left		<input type="checkbox"/> Right <input type="checkbox"/> Pair	
<input type="checkbox"/>	LPK27XX	E0956/E1028	Removable brkt w/ Pad - Each	\$455
	<input type="checkbox"/> Left		<input type="checkbox"/> Right <input type="checkbox"/> Pair	
<input type="checkbox"/>	LPK31XX	E0956	15° Med/High Prfl brkt w/ Pad - Each	\$253
	<input type="checkbox"/> Left		<input type="checkbox"/> Right <input type="checkbox"/> Pair	
<input type="checkbox"/>	LPK32XX	E0956	Med/High Profile brkt w/ Pad - Each	\$195
	<input type="checkbox"/> Left		<input type="checkbox"/> Right <input type="checkbox"/> Pair	
<input type="checkbox"/>	LPK33XX	E0956/E1028	20° Adj Rmvl brkt w/ Pad - Each	\$521
	<input type="checkbox"/> Left		<input type="checkbox"/> Right <input type="checkbox"/> Pair	
<input type="checkbox"/>	LPK34XX	E0956	Modular Bracket w/ Pad - Each	\$333
	<input type="checkbox"/> Left		<input type="checkbox"/> Right <input type="checkbox"/> Pair	
<input type="checkbox"/>	LPK55XX	E0956	1" Reverse Offset brkt w/ Pad - Each	\$290
	<input type="checkbox"/> Left		<input type="checkbox"/> Right <input type="checkbox"/> Pair	
<input type="checkbox"/>	LPK57XX	E0956	20° Adj fixed brkt w/ Pad - Each	\$398
	<input type="checkbox"/> Left		<input type="checkbox"/> Right <input type="checkbox"/> Pair	

### LATERAL PELVIC/HIGH/ARMREST SUPPORT PACKAGES - Each

Note: Pads can be built up to 5" High and 18" Long

<input type="checkbox"/>	LPK40XX		Fixed brkt w/ Pad - Each	\$543
	<input type="checkbox"/> Left		<input type="checkbox"/> Right <input type="checkbox"/> Pair	
<input type="checkbox"/>	LPK41XX		Removable brkt w/ Pad - Each	\$716
	<input type="checkbox"/> Left		<input type="checkbox"/> Right <input type="checkbox"/> Pair	
<input type="checkbox"/>	LPK42XX		Removable brkt & Hgt Adj w/ Pad - Each	\$832
	<input type="checkbox"/> Left		<input type="checkbox"/> Right <input type="checkbox"/> Pair	

### LATERAL PELVIC/HIGH SUPPORT MODIFICATIONS

<input type="checkbox"/>	MOD3025	D Forward Pad Shape	N/C
<input type="checkbox"/>	MOD3050	Replace Multi-Ply with ABS	\$17
<input type="checkbox"/>	MOD3055	Contoured Pelvic Supports (Anti-Thrust)	\$80
<input type="checkbox"/>	MOD3500	Waterfall Foam Pelvic Support	\$65
<input type="checkbox"/>	MOD3550	1/4" Gel in Pelvic Support	\$71
<input type="checkbox"/>	MOD3551	1/4" Gel in Long Pelvic Support	\$87
<input type="checkbox"/>	MOD3650	1/2" T-Foam in Pelvic Support	\$58
<input type="checkbox"/>	MOD3750	1/2" Pudgee in Pelvic Support	\$80
<input type="checkbox"/>	MOD3850	1/2" SunMate in Pelvic Support	\$58
<input type="checkbox"/>	MOD3861	1" SunMate in Pelvic Support	\$25
<input type="checkbox"/>	MOD3858	Distal Edge Contour	\$145
<input type="checkbox"/>	MOD3870	Mount LPK on Flat Back Surface	N/C
<input type="checkbox"/>	MOD3899	Cus Foam Mod Pelvic Thigh Sup	\$87
<input type="checkbox"/>	MOD4750L	Long, Curved Pad, Pelvic/Thigh left	\$26
<input type="checkbox"/>	MOD4750R	Long, Curved Pad, Pelvic/Thigh, right	\$26

### ADDITIONAL DISTAL HARDWARE

<input type="checkbox"/>	HDW2527	2" Distal Ext Adapter Bar	\$51
<input type="checkbox"/>	HDW2528	3" Distal Ext Adapter Bar	\$51

## MEDIAL THIGH SUPPORTS

### MEDIAL THIGH SUPPORT PACKAGES

<input type="checkbox"/>	MTK10XX	E0957/E1028	MTS w/ Swing-Away brkt, 5" or 7" arm	\$679
<input type="checkbox"/>	MTK50XX	E0957/E1028	Adj height Swing-Away brkt, 2"-3"	\$751
<input type="checkbox"/>	MTK60XX	E0957/E1028	Adj height Swing-Away brkt, 3"-4.5"	\$751
<input type="checkbox"/>	MTK70XX	E0957/E1028	Adj Hideaway L Mount, 1.5"-3"	\$919
<input type="checkbox"/>	MTK72XX	E0957/E1028	Adj Hideaway T Mount, 1.5"-3"	\$919
<input type="checkbox"/>	MTK74XX	E0957/E1028	Adj Hideaway L Mount, Short	\$953
<input type="checkbox"/>	MTK76XX	E0957/E1028	Adj Hideaway L Mount, Tall	\$953
<input type="checkbox"/>	MTK93XX	E0957/E1028	Pull-Away brkt, 1.5" to 2" adj	\$795
<input type="checkbox"/>	MTK95XX	E0957/E1028	Pull-Away brkt, 2" to 3.5" adj	\$795
<input type="checkbox"/>	MTK97XX	E0957/E1028	Pull-Away brkt, 3.5" to 5.5" adj	\$795

### MEDIAL THIGH SUPPORT MODIFICATIONS

<input type="checkbox"/>	MOD3855	1/2" SunMate Foam in Medial Support	STD
<input type="checkbox"/>	MOD3856	1" SunMate Foam in Medial Support	\$69
<input type="checkbox"/>	MOD3555	1/4" Gel in Medial Support	\$189
<input type="checkbox"/>	MOD3655	1/2" T-Foam in Medial Support	\$58
<input type="checkbox"/>	MOD3755	1/2" Pudgee Foam in Medial Support	\$189

**PELVIC POSITIONING BELTS**

**ANTERIOR PELVIC POSITIONING BELTS – SINGLE PULL**

<input type="checkbox"/>	APB6212	E0978	1.5" Side Release buckle, 7.5" Pads	\$63
<input type="checkbox"/>	APB6213	E0978	1.5" Side Release buckle, 9.5" Pads	\$63
<input type="checkbox"/>	APB6210	E0978	1.5" Side Release buckle, Non-Padded	\$41
<input type="checkbox"/>	APB7212	E0978	1.5" Push-Button buckle, Small Pads	\$99
<input type="checkbox"/>	APB7213	E0978	1.5" Push-Button buckle, Med Pads	\$99
<input type="checkbox"/>	APB7210	E0978	1.5" Push-Button buckle, Non-Padded	\$47
<input type="checkbox"/>	APB5115	E0978	Li'l Kiddos 1" Push Button, 4.5" Pads	\$145
<input type="checkbox"/>	APB5116	E0978	Li'l Kiddos 1" Push Button, 5.5" Pads	\$145
<input type="checkbox"/>	APB5117	E0978	Li'l Kiddos 1" Push Button, 7.5" Pads	\$145
<input type="checkbox"/>	APB5110	E0978	Li'l Kiddos 1" Push Button, Non-Padded	\$47
<input type="checkbox"/>	APB6111	E0978	Li'l Kiddos 1" Release buckle, 5.5" Pads	\$63
<input type="checkbox"/>	APB6112	E0978	Li'l Kiddos 1" Release buckle, 7.5" Pads	\$63
<input type="checkbox"/>	APB6110	E0978	Li'l Kiddos 1" Release buckle, Non-Pad	\$41

**ANTERIOR PELVIC POSITIONING BELTS – MEDIAL 4-POINT**

<input type="checkbox"/>	APB7242	E0978	1.5" Push-Button buckle, 4.5" Pads	\$127
<input type="checkbox"/>	APB7243	E0978	1.5" Push-Button buckle, 5.5" Pads	\$127
<input type="checkbox"/>	APB7244	E0978	1.5" Push-Button buckle, 6.5" Pads	\$127
<input type="checkbox"/>	APB5145	E0978	Li'l Kiddos 1" PB buckle, 3.5" Pads	\$127
<input type="checkbox"/>	APB5146	E0978	Li'l Kiddos 1" PB buckle, 4.5" Pads	\$127

**ANTERIOR PELVIC POSITIONING BELTS – DUAL PULL**

<input type="checkbox"/>	APB6222	E0978	1.5" Side Release buckle, Small Pads	\$63
<input type="checkbox"/>	APB6223	E0978	1.5" Side Release buckle, Med Pads	\$63
<input type="checkbox"/>	APB7221	E0978	1.5" Push-Button buckle, 5.5" Pads	\$99
<input type="checkbox"/>	APB7222	E0978	1.5" Push-Button buckle, 7.5" Pads	\$99
<input type="checkbox"/>	APB7223	E0978	1.5" Push-Button buckle, 9.5" Pads	\$99
<input type="checkbox"/>	APB5125	E0978	Li'l Kiddos 1" Push Button, 4.5" Pads	\$103
<input type="checkbox"/>	APB5126	E0978	Li'l Kiddos 1" Push Button, 5.5" Pads	\$103
<input type="checkbox"/>	APB5127	E0978	Li'l Kiddos 1" Push Button, 7.5" Pads	\$103
<input type="checkbox"/>	APB6121	E0978	Li'l Kiddos 1" Release buckle, 5.5" Pads	\$63
<input type="checkbox"/>	APB6122	E0978	Li'l Kiddos 1" Release buckle, 7.5" Pads	\$63

**ANTERIOR PELVIC POSITIONING BELTS – 4-POINT V-Contour**

<input type="checkbox"/>	APB3716	E0978	1" Push-Button buckle	\$192
<input type="checkbox"/>	APB3727	E0978	1.5" Push-Button buckle	\$192
<input type="checkbox"/>	APB3738	E0978	2" Push-Button buckle	\$192
<input type="checkbox"/>	APB3616	E0978	1" Release buckle	\$192
<input type="checkbox"/>	APB3627	E0978	1.5" Release buckle	\$192
<input type="checkbox"/>	APB3638	E0978	2" Release buckle	\$192

**ANTERIOR TRUNK SUPPORTS**

**ANTERIOR TRUNK SUPPORTS – CLASSIC STYLE**

<input type="checkbox"/>	ATS8100	E0960	Dynamic, X-Small	\$174
<input type="checkbox"/>	ATS8101	E0960	Dynamic, Small	\$174
<input type="checkbox"/>	ATS8102	E0960	Dynamic, Medium	\$174
<input type="checkbox"/>	ATS8103	E0960	Dynamic, Large	\$174
<input type="checkbox"/>	ATS8104	E0960	Dynamic, X-Large	\$174
<input type="checkbox"/>	ATS8107	E0960	Dynamic, Early Intervention	\$174
<input type="checkbox"/>	ATS8300	E0960	Structured, X-Small	\$174
<input type="checkbox"/>	ATS8301	E0960	Structured, Small	\$174
<input type="checkbox"/>	ATS8302	E0960	Structured, Medium	\$174
<input type="checkbox"/>	ATS8303	E0960	Structured, Large	\$174
<input type="checkbox"/>	ATS8304	E0960	Structured, X-Large	\$174

**ANTERIOR TRUNK SUPPORTS – CONTOUR STYLE**

<input type="checkbox"/>	ATS9100	E0960	Dynamic, X-Small	\$174
<input type="checkbox"/>	ATS9101	E0960	Dynamic, Small	\$174
<input type="checkbox"/>	ATS9102	E0960	Dynamic, Medium	\$174
<input type="checkbox"/>	ATS9103	E0960	Dynamic, Large	\$174
<input type="checkbox"/>	ATS9104	E0960	Dynamic, X-Large	\$174
<input type="checkbox"/>	ATS9107	E0960	Dynamic, Early Intervention	\$174
<input type="checkbox"/>	ATS9300	E0960	Structured, X-Small	\$174
<input type="checkbox"/>	ATS9301	E0960	Structured, Small	\$174
<input type="checkbox"/>	ATS9302	E0960	Structured, Medium	\$174
<input type="checkbox"/>	ATS9303	E0960	Structured, Large	\$174
<input type="checkbox"/>	ATS9304	E0960	Structured, X-Large	\$174

**ANTERIOR TRUNK SUPPORTS – CENTER OPENING STYLE**

<input type="checkbox"/>	ATS8807	E0960	Dynamic, Early Int - Side Rel Buckle	\$174
<input type="checkbox"/>	ATS8800	E0960	Dynamic, X-Small - Side Rel Buckle	\$174
<input type="checkbox"/>	ATS8801	E0960	Dynamic, Small - Side Rel Buckle	\$174
<input type="checkbox"/>	ATS8802	E0960	Dynamic, Medium - Side Rel Buckle	\$174
<input type="checkbox"/>	ATS8803	E0960	Dynamic, Large - Side Rel Buckle	\$174
<input type="checkbox"/>	ATS8804	E0960	Dynamic, X-Large - Side Rel Buckle	\$174
<input type="checkbox"/>	ATS8809	E0960	Dynamic, Made To Order - Side Rel Buckle	\$292
<input type="checkbox"/>	ATS9407	E0960	Structured, Early Int - Side Rel Buckle	\$174
<input type="checkbox"/>	ATS9400	E0960	Structured, X-Small - Side Rel Buckle	\$174
<input type="checkbox"/>	ATS9401	E0960	Structured, Small - Side Rel Buckle	\$174
<input type="checkbox"/>	ATS9402	E0960	Structured, Medium - Side Rel Buckle	\$174
<input type="checkbox"/>	ATS9403	E0960	Structured, Large - Side Rel Buckle	\$174
<input type="checkbox"/>	ATS9404	E0960	Structured, X-Large - Side Rel Buckle	\$174
<input type="checkbox"/>	ATS9409	E0960	Structured, Made To Order - Side Rel Buckle	\$292
<input type="checkbox"/>	ATS8701	E0960	Dynamic, Small - Zipper	\$174
<input type="checkbox"/>	ATS8702	E0960	Dynamic, Medium - Zipper	\$174
<input type="checkbox"/>	ATS8703	E0960	Dynamic, Large - Zipper	\$174
<input type="checkbox"/>	ATS8704	E0960	Dynamic, X-Large - Zipper	\$174
<input type="checkbox"/>	ATS8709	E0960	Dynamic, Made To Order - Zipper	\$292

**ANTERIOR TRUNK SUPPORTS – Y STYLE**

<input type="checkbox"/>	ATS9167	E0960	Dynamic, Early Intervention	\$156
<input type="checkbox"/>	ATS9161	E0960	Dynamic, Small	\$156
<input type="checkbox"/>	ATS9162	E0960	Dynamic, Medium	\$156
<input type="checkbox"/>	ATS9163	E0960	Dynamic, Large	\$156
<input type="checkbox"/>	ATS9169	E0960	Dynamic, Made To Order	\$292
<input type="checkbox"/>	ATS9367	E0960	Structured, Early Intervention	\$156
<input type="checkbox"/>	ATS9361	E0960	Structured, Small	\$156
<input type="checkbox"/>	ATS9362	E0960	Structured, Medium	\$156
<input type="checkbox"/>	ATS9363	E0960	Structured, Large	\$156
<input type="checkbox"/>	ATS9369	E0960	Structured, Made To Order	\$292

**ANTERIOR TRUNK SUPPORTS – BACK PACK STYLE**

<input type="checkbox"/>	ATS9601	E0960	Dynamic, 12"	\$156
<input type="checkbox"/>	ATS9603	E0960	Dynamic, 18"	\$156
<input type="checkbox"/>	ATS9609	E0960	Dynamic, Made To Order	\$292
<input type="checkbox"/>	ATS9701	E0960	Structured, 12"	\$156
<input type="checkbox"/>	ATS9703	E0960	Structured, 18"	\$156
<input type="checkbox"/>	ATS9709	E0960	Structured, Made To Order	\$292

**ANTERIOR TRUNK SUPPORTS – TRUNK STRAP**

<input type="checkbox"/>	ATS4050	E0960	X-Small	\$162
<input type="checkbox"/>	ATS4000	E0960	Small	\$162
<input type="checkbox"/>	ATS4100	E0960	Medium	\$162
<input type="checkbox"/>	ATS4200	E0960	Large	\$162
<input type="checkbox"/>	ATS4300	E0960	X-Large	\$162
<input type="checkbox"/>	ATS4900	E0960	Made To Order	\$292

**ANTERIOR TRUNK SUPPORTS – STRAP GUIDES**

<input type="checkbox"/>	HDW6900		STRAP POSITIONER - EACH	\$43
--------------------------	---------	--	-------------------------	------

**LOWER BODY POSITIONING**

**KNEE POSITIONING**

<input type="checkbox"/>	KPG10XX	E0953	Knee Pos Blocks, + Pullaway Hardware	\$605
<input type="checkbox"/>	KPG19XX	E0953	Knee Pos Blocks, Made To Order + Hardwa	\$671
<input type="checkbox"/>	KAK31XXL	E0953/E1028	Knee Add PKG Swing Away Long L	\$406
<input type="checkbox"/>	KAK31XXR	E0953/E1028	Knee Add PKG Swing Away Long R	\$406
<input type="checkbox"/>	KAK21XXL	E0953/E1028	Knee Add PKG Swing Away Short L	\$406
<input type="checkbox"/>	KAK21XXR	E0953/E1028	Knee Add PKG Swing Away Short R	\$406
<input type="checkbox"/>	KAD10XX	E0953	Knee Adductor Pad 3" Round	\$62
<input type="checkbox"/>	KAD11XX	E0953	Knee Adductor Pad 4" Round	\$62
<input type="checkbox"/>	KAD19XX	E0953	Knee Adductor Pad Made To Order	\$134
<input type="checkbox"/>	HDW4851	E1028	Knee Add brkt Swing Away Long L	\$441
<input type="checkbox"/>	HDW4852	E1028	Knee Add brkt Swing Away Long R	\$441
<input type="checkbox"/>	HDW4853	E1028	Knee Add brkt Swing Away Short L	\$441
<input type="checkbox"/>	HDW4854	E1028	Knee Add brkt Swing Away Short R	\$441

**FOOT BOXES**

<input type="checkbox"/>	TST7014L	E0954	Single Foot Box, Std, 14" W/C (left leg)	\$365
<input type="checkbox"/>	TST7014R	E0954	Single Foot Box, Std, 14" W/C (right leg)	\$365
<input type="checkbox"/>	TST7016L	E0954	Single Foot Box, Std, 16" W/C (left leg)	\$365
<input type="checkbox"/>	TST7016R	E0954	Single Foot Box, Std, 16" W/C (right leg)	\$365
<input type="checkbox"/>	TST7018L	E0954	Single Foot Box, Std, 18" W/C (left leg)	\$365
<input type="checkbox"/>	TST7018R	E0954	Single Foot Box, Std, 18" W/C (right leg)	\$365
<input type="checkbox"/>	TST7114	E0954	Full Width Ft Box, Std, 14" W/C (1 pc)	\$595
<input type="checkbox"/>	TST7116	E0954	Full Width Ft Box, Std, 16" W/C (1 pc)	\$595
<input type="checkbox"/>	TST7118	E0954	Full Width Ft Box, Std, 18" W/C (1 pc)	\$595

**FLEXI FEET**

<input type="checkbox"/>	32600XS-RT	E0951/E0952	Flexi-Feet System Xtra Small - Pair	\$261
<input type="checkbox"/>	32600S-RT	E0951/E0952	Flexi-Feet System Small - Pair	\$261
<input type="checkbox"/>	32600M-RT	E0951/E0952	Flexi-Feet System Medium - Pair	\$261
<input type="checkbox"/>	32600L-RT	E0951/E0952	Flexi-Feet System Large - Pair	\$261

**SHOE HOLDERS**

<input type="checkbox"/>	TST6001	E0951/E0952	Shoe Holder padded buckles Small	\$81
<input type="checkbox"/>	TST6101	E0951/E0952	Shoe Holder padded buckles Medium	\$81
<input type="checkbox"/>	TST6201	E0951/E0952	Shoe Holder padded buckles Large	\$81
<input type="checkbox"/>	TST6301	E0951/E0952	Shoe Holder padded buckles X-Large	\$81
<input type="checkbox"/>	TST6000	E0951/E0952	Shoe Holder non-padded buckles Small	\$73
<input type="checkbox"/>	TST6100	E0951/E0952	Shoe Holder non-padded buckles Med	\$73
<input type="checkbox"/>	TST6200	E0951/E0952	Shoe Holder non-padded buckles Large	\$73
<input type="checkbox"/>	TST6300	E0951/E0952	Shoe Holder non-padded buckles XL	\$73

**SHOE HOLDERS with TENDON RELIEF**

<input type="checkbox"/>	TST6061	E0951/E0952	Shoe Holder padded buckles Small	\$374
<input type="checkbox"/>	TST6161	E0951/E0952	Shoe Holder padded buckles Medium	\$379
<input type="checkbox"/>	TST6261	E0951/E0952	Shoe Holder padded buckles Large	\$384
<input type="checkbox"/>	TST6361	E0951/E0952	Shoe Holder padded buckles X-Large	\$399

**FOOT and ANKLE POSITIONING**

<input type="checkbox"/>	TST6510L	E0951/E0952	Foot & Ankle Positioner Small Left	\$104
<input type="checkbox"/>	TST6510R	E0951/E0952	Foot & Ankle Positioner Small Right	\$104
<input type="checkbox"/>	TST6520L	E0951/E0952	Foot & Ankle Positioner Medium Left	\$104
<input type="checkbox"/>	TST6520R	E0951/E0952	Foot & Ankle Positioner Medium Right	\$104
<input type="checkbox"/>	TST6540L	E0951/E0952	Foot & Ankle Positioner Large Left	\$104
<input type="checkbox"/>	TST6540R	E0951/E0952	Foot & Ankle Positioner Large Right	\$104
<input type="checkbox"/>	TST6560L	E0951/E0952	Foot & Ankle Positioner X-Large Left	\$104
<input type="checkbox"/>	TST6560R	E0951/E0952	Foot & Ankle Positioner X-Large Right	\$104

**ANKLE POSITIONING**

<input type="checkbox"/>	TST6501L	E0951	Ankle Positioner Xtra Small Left	\$81
<input type="checkbox"/>	TST6501R	E0951	Ankle Positioner Xtra Small Right	\$81
<input type="checkbox"/>	TST6511L	E0951	Ankle Positioner Small Left	\$81
<input type="checkbox"/>	TST6511R	E0951	Ankle Positioner Small Right	\$81
<input type="checkbox"/>	TST6521L	E0951	Ankle Positioner Medium Left	\$81
<input type="checkbox"/>	TST6521R	E0951	Ankle Positioner Medium Right	\$81
<input type="checkbox"/>	TST6541L	E0951	Ankle Positioner Large Left	\$81
<input type="checkbox"/>	TST6541R	E0951	Ankle Positioner Large Right	\$81
<input type="checkbox"/>	TST6561L	E0951	Ankle Positioner Extra-Large Left	\$81
<input type="checkbox"/>	TST6561R	E0951	Ankle Positioner Extra-Large Right	\$81

**UPPER BODY POSITIONING**

**TRAYS**

<input type="checkbox"/>	WCT1005	E0950	Wooden Support Platform, X-Small	\$333
<input type="checkbox"/>	WCT1000	E0950	Wooden Support Platform, Small	\$333
<input type="checkbox"/>	WCT2000	E0950	Wooden Support Platform, Medium	\$333
<input type="checkbox"/>	WCT3000	E0950	Wooden Support Platform, Large	\$333
<input type="checkbox"/>	WCT4000	E0950	Wooden Support Platform, X-Large	\$333
<input type="checkbox"/>	WCT5005	E0950	Lexan Support Platform, X-Small	\$344
<input type="checkbox"/>	WCT5000	E0950	Lexan Support Platform, Small	\$344
<input type="checkbox"/>	WCT6000	E0950	Lexan Support Platform, Medium	\$344
<input type="checkbox"/>	WCT7000	E0950	Lexan Support Platform, Large	\$344
<input type="checkbox"/>	WCT8000	E0950	Lexan Support Platform, X-Large	\$344
<input type="checkbox"/>	WCT9000	E0950	Made To Order Support Platform	\$628

**PLATFORM ACCESSORIES**

<input type="checkbox"/>	TAC11XX		Platform Padding, Removable Cover	\$386
<input type="checkbox"/>	TAC4100L		Joystick Cutout, Left	\$78
<input type="checkbox"/>	TAC4100R		Joystick Cutout, Right	\$78
<input type="checkbox"/>	TAC4175		Platform Cutout, Personalized	\$100
<input type="checkbox"/>	THW6000		Strap with Release Buckle	\$62

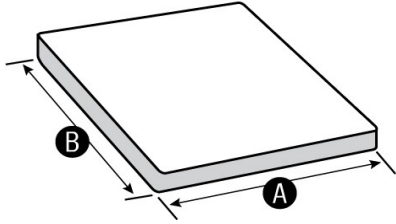
**TRAY MOUNTING HARDWARE**

<input type="checkbox"/>	THW1000		Toggle Hardware	\$74
<input type="checkbox"/>	THW2000		Slide Tube Hardware	\$218
<input type="checkbox"/>	THW3000		Birch Runners	\$49
<input type="checkbox"/>	THW3100		S-Style Runners, ABS	\$49
<input type="checkbox"/>	THW3210		Slotted Channel Runners, ABS	\$54
<input type="checkbox"/>	THW3700		Top Drop Platform	\$144
<input type="checkbox"/>	THW4500		Angle-Cam Hardware	\$74

**NOTES**

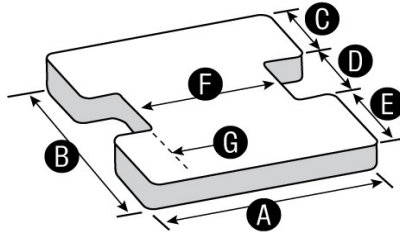


SOLID SEAT INSERT



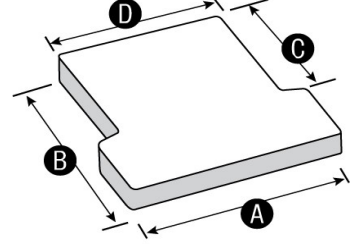
A		B	
---	--	---	--

I STYLE SEAT INSERT



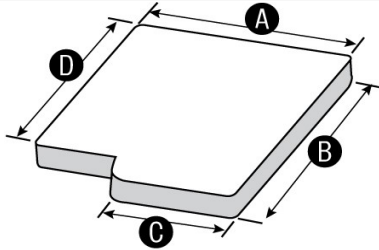
A		E	
B		F	
C		G	
D			

T STYLE SEAT INSERT



A		C	
B		D	

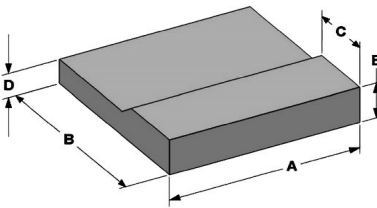
OFFSET SEAT INSERT



- Long Left Side
- Long Right Side

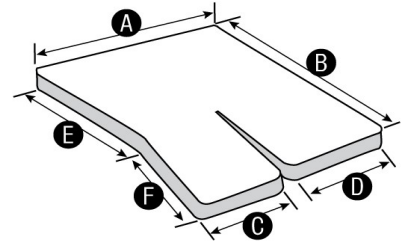
A		C	
B		D	

ANTI-THRUST SEAT INSERT



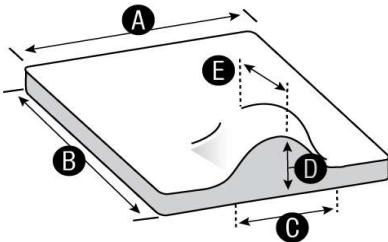
A		D	
B		E	
C			

ADJUSTABLE SPLIT SEAT INSERT



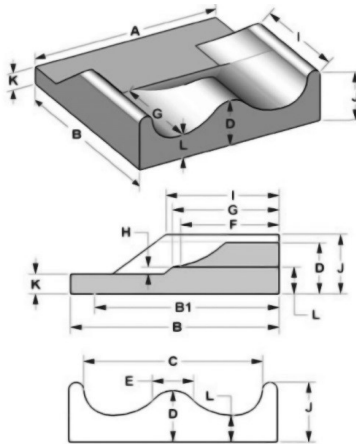
A		D	
B		E	
C		F	

BUILT-IN MEDIAL THIGH SUPPORT



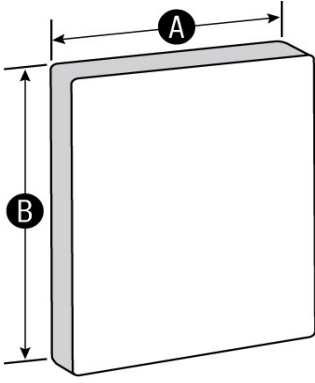
A		D	
B		E	
C			

CONTOUR SEAT INSERT



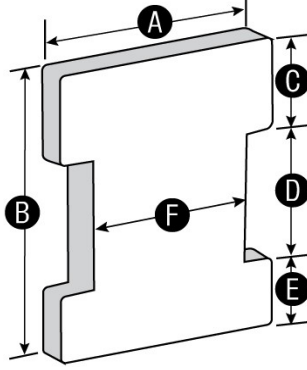
A		G	
B		H	
C		I	
D		J	
E		K	
F		L	

SOLID BACK INSERT



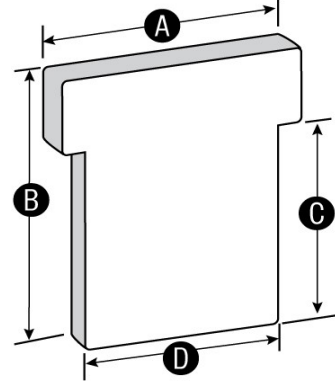
A		B	
---	--	---	--

I STYLE BACK INSERT



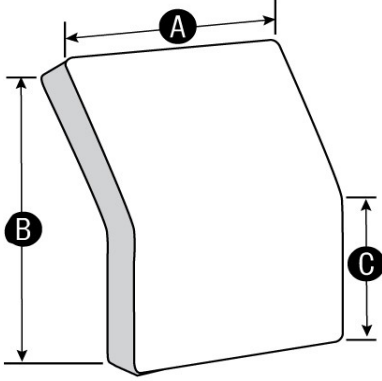
A		D	
B		E	
C		F	

T STYLE BACK INSERT



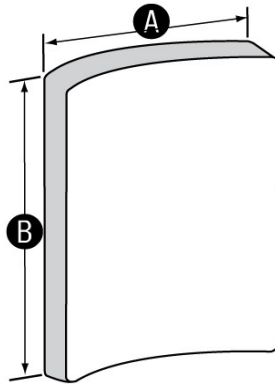
A		C	
B		D	

BI-ANGULAR BACK INSERT



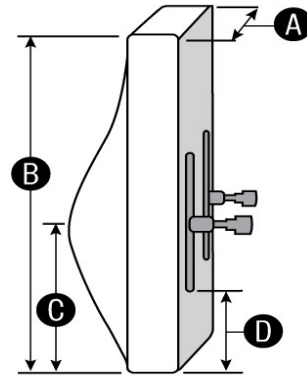
A		C	
B			

CURVED BACK INSERT



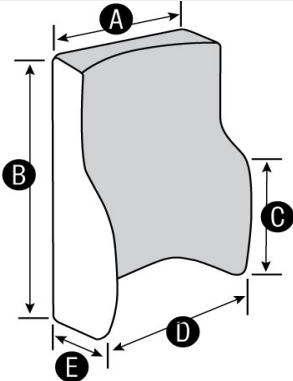
A		B	
---	--	---	--

ADJ LUMBAR SUPPORT BK INSERT



A		C	
B		D	

CONTOUR BACK INSERT



A		D	
B		E	
C			



Sunrise Medical (US) LLC  
2842 Business Park Ave. · Fresno, CA 93727 · USA