



JAY[®] BASIC^{PRO}

Cushion

March 2020

Mark For:

Submitting for: Quote Order

Date: _____
 Dealer Acct #: _____
 Dealer: _____
 Dealer Contact: _____
 Dealer Address: _____
 Dealer City: _____ ST: _____ ZIP: _____
 Dealer Phone: () _____ Fax: () _____
 Confirmation Email: _____
 Confirm Via: Fax Email

PO#: _____
ADDITIONAL SHIPPING INFORMATION
 Ship To: _____
 Attention: _____
 Address: _____
 Address: _____
 Ship To City: _____ ST: _____ ZIP: _____
 Ship To Phone: () _____ Fax: () _____

The **HCPCS CODES** herein are based on PDAC verification or interpretation of Medicare definitions and guidelines. Non-Medicare payers may accept alternative **HCPCS CODES**, including misc. codes to ensure access for their enrollees. The use of **HCPCS CODES** does not ensure coverage or payment.

Actual

✓ Option # HCPCS Definition Width Depth Price

JAY BASIC ^{PRO} CUSHION Less than 22" in Width (300lb weight capacity)						
<input type="checkbox"/>	JBASICP1414	E2601	JAY BASIC ^{PRO} Cushion 14" X 14"	13-3/4"	14"	\$122.00
<input type="checkbox"/>	JBASICP1416	E2601	JAY BASIC ^{PRO} Cushion 14" X 16"	13-3/4"	16"	\$122.00
<input type="checkbox"/>	JBASICP1418	E2601	JAY BASIC ^{PRO} Cushion 14" X 18"	13-3/4"	18"	\$122.00
<input type="checkbox"/>	JBASICP1518	E2601	JAY BASIC ^{PRO} Cushion 15" X 18"	14-3/4"	18"	\$122.00
<input type="checkbox"/>	JBASICP15516	E2601	JAY BASIC ^{PRO} Cushion 15.5" X 16"	15-1/4"	16"	\$122.00
<input type="checkbox"/>	JBASICP1617	E2601	JAY BASIC ^{PRO} Cushion 16" X 17"	15-3/4"	17"	\$122.00
<input type="checkbox"/>	JBASICP1618	E2601	JAY BASIC ^{PRO} Cushion 16" X 18"	15-3/4"	18"	\$122.00
<input type="checkbox"/>	JBASICP1620	E2601	JAY BASIC ^{PRO} Cushion 16" X 20"	15-3/4"	20"	\$122.00
<input type="checkbox"/>	JBASICP1716	E2601	JAY BASIC ^{PRO} Cushion 17" X 16"	17"	16"	\$122.00
<input type="checkbox"/>	JBASICP1717	E2601	JAY BASIC ^{PRO} Cushion 17" X 17"	17"	17"	\$122.00
<input type="checkbox"/>	JBASICP1718	E2601	JAY BASIC ^{PRO} Cushion 17" X 18"	17"	18-1/2"	\$122.00
<input type="checkbox"/>	JBASICP1816	E2601	JAY BASIC ^{PRO} Cushion 18" X 16"	17-1/2"	16"	\$122.00
<input type="checkbox"/>	JBASICP1817	E2601	JAY BASIC ^{PRO} Cushion 18" X 17"	17-1/2"	17-1/2"	\$122.00
<input type="checkbox"/>	JBASICP1818	E2601	JAY BASIC ^{PRO} Cushion 18" X 18"	17-1/2"	18"	\$122.00
<input type="checkbox"/>	JBASICP1820	E2601	JAY BASIC ^{PRO} Cushion 18" X 20"	17-3/4"	20"	\$122.00
<input type="checkbox"/>	JBASICP1916	E2601	JAY BASIC ^{PRO} Cushion 19" X 16"	18-3/4"	16-1/2"	\$122.00
<input type="checkbox"/>	JBASICP1917	E2601	JAY BASIC ^{PRO} Cushion 19" X 17"	18-3/4"	17-1/2"	\$122.00
<input type="checkbox"/>	JBASICP1918	E2601	JAY BASIC ^{PRO} Cushion 19" X 18"	18-3/4"	18-1/4"	\$122.00
<input type="checkbox"/>	JBASICP1920	E2601	JAY BASIC ^{PRO} Cushion 19" X 20"	18-3/4"	20"	\$122.00
<input type="checkbox"/>	JBASICP2016	E2601	JAY BASIC ^{PRO} Cushion 20" X 16"	19-3/4"	16-1/2"	\$122.00
<input type="checkbox"/>	JBASICP2018	E2601	JAY BASIC ^{PRO} Cushion 20" X 18"	19-3/4"	18"	\$122.00
<input type="checkbox"/>	JBASICP2020	E2601	JAY BASIC ^{PRO} Cushion 20" X 20"	19-1/2"	20"	\$122.00

JAY Basic ^{Pro} Size Matrix													
		WIDTH											
		14	15	15.5	16	17	18	19	20	21	22	23	24
DEPTH	14		JYW	JYW	JYW	JYW	JYW	JYW	JYW	N/A	N/A	N/A	N/A
	15	JYW	JYW	JYW	JYW	JYW	JYW	JYW	JYW	N/A	N/A	N/A	N/A
	16		JYW		JYW					JYW	JYW	JYW	JYW
	17	JYW	JYW	JYW					JYW	JYW	JYW	JYW	JYW
	18			JYW						JYW		JYW	
	19	N/A	JYW	JYW	JYW	JYW	JYW	JYW	JYW	JYW	JYW	JYW	JYW
	20	N/A	JYW	JYW		JYW				JYW		JYW	
	21	N/A	N/A	N/A	N/A	N/A	N/A	N/A	JYW	JYW	JYW	JYW	JYW
	22	N/A	N/A	N/A	N/A	N/A	N/A	N/A	JYW	JYW		JYW	
	23	N/A	N/A	N/A	N/A	N/A	N/A	N/A	N/A	N/A	JYW	JYW	JYW
24	N/A	N/A	N/A	N/A	N/A	N/A	N/A	N/A	N/A	JYW	JYW		

= Standard Offering
 JYW = Offered Via Jay Your Way
 N/A = Not available

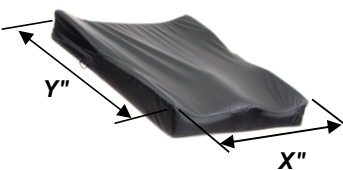
JAY BASIC ^{PRO} CUSHION 22" in Width and Greater (500lb weight capacity)						
<input type="checkbox"/>	JBASICP2218	E2602	JAY BASIC ^{PRO} Cushion 22" X 18"	21-3/4"	18"	\$225.00
<input type="checkbox"/>	JBASICP2220	E2602	JAY BASIC ^{PRO} Cushion 22" X 20"	21-3/4"	20"	\$225.00
<input type="checkbox"/>	JBASICP2222	E2602	JAY BASIC ^{PRO} Cushion 22" X 22"	21-3/4"	22-1/2"	\$225.00
<input type="checkbox"/>	JBASICP2418	E2602	JAY BASIC ^{PRO} Cushion 24" X 18"	23-3/4"	18"	\$225.00
<input type="checkbox"/>	JBASICP2420	E2602	JAY BASIC ^{PRO} Cushion 24" X 20"	23-3/4"	20"	\$225.00
<input type="checkbox"/>	JBASICP2422	E2602	JAY BASIC ^{PRO} Cushion 24" X 22"	23-1/2"	22-1/2"	\$225.00
<input type="checkbox"/>	JBASICP2424	E2602	JAY BASIC ^{PRO} Cushion 24" X 24"	23-1/2"	24"	\$225.00

JAY BASIC ^{PRO} OPTIONAL INNER COVER				
<input type="checkbox"/>	ICJBASICPXXYY	E2619	JAY BASIC ^{PRO} Inner Cover	See Above \$67.00

Note: To order an optional inner cover simply add a separate line item to your order. The part number for the inner cover is the same as the cushion with "IC" added to the beginning.

JAY Basic^{Pro} Measuring Guide

Measurements made from completed cushion with covers.



Width
X = Width
Note: Measurement made from top outside edge to top outside edge of the cushion.
Ex: JBASICP1620 X=15-3/4"

Depth
Y = Depth
Note: Measurement made from front top edge and rear top edge of cushion.
Ex: JBASICP1620 Y = 20"

JAY YOUR WAY MODIFICATIONS

Note: To order sizes offered via JAY Your Way add a "M" to the front of the part number and follow the prompts. Please refer to the "JAY YOUR WAY" product catalog for complete listing of modifications

Please visit www.sunparts.us for spare parts information.



Sunrise Medical (US) LLC
 2842 Business Park Ave. • Fresno, CA 93727 • USA

Customer Service: 800-333-4000 Fax: 800-300-7502 Email: orders@sunmed.com www.sunrisemedical.com
 Specifications are subject to change without notice. Sunrise Medical (US) LLC. ©3/2020, 124978 REV. D