



Quickie 5^R

January 2024

EIR10

Mark For:

Date: _____
 Dealer Acct #: _____
 Dealer: _____
 Dealer Contact: _____
 Dealer Address: _____
 Dealer City: _____ ST: _____ ZIP: _____
 Dealer Phone: () _____ Fax: () _____
 Confirmation Email: _____
 Confirm Via: Fax Email

Submitting for:

Quote Order

PO#: _____

ADDITIONAL SHIPPING INFORMATION

Ship To: _____
 Attention: _____
 Address: _____
 Address: _____
 Ship To City: _____ ST: _____ ZIP: _____
 Ship To Phone: () _____ Fax: () _____

The **HCPCS CODES** herein are based on PDAC verification or interpretation of Medicare definitions and guidelines. Non-Medicare payers may accept alternative **HCPCS CODES**, including misc. codes to ensure access for their enrollees. The use of **HCPCS CODES** does not ensure coverage or payment.

| ✓ | Option # | HCPCS | Definition | Price | ✓ | Option # | HCPCS | Definition | Price |
|---|----------|-------|------------|-------|---|----------|-------|------------|-------|
|---|----------|-------|------------|-------|---|----------|-------|------------|-------|

1. FRAME

| Base Model | | | | |
|--------------------------|---------|-------|---|------------|
| <input type="checkbox"/> | 129WM86 | K0005 | Quickie 5 ^R (weight capacity 265 lbs) Use E1235 for sizes 14" or less | \$2,710.00 |

| Frame Angle (see Figure 1) | | | | |
|----------------------------|--------|--|-----|----|
| <input type="checkbox"/> | 129FA1 | | 75° | NC |
| <input type="checkbox"/> | 129FA8 | | 80° | NC |
| <input type="checkbox"/> | 129FA2 | | 85° | NC |

| Frame Inset Per Side (See Figure 2) | | | | |
|-------------------------------------|--------|--|-----------------------------------|----|
| <input type="checkbox"/> | 129FF1 | | 0" | NC |
| <input type="checkbox"/> | 129FF2 | | 1" (N/A w/ 12" wide) | NC |
| <input type="checkbox"/> | 129FF3 | | 2" (N/A w/ 12", 13", or 14" wide) | NC |

| Frame Inset | Footrest Width |
|-------------|------------------------------|
| 0 | Subtract 0 from Frame Width |
| 1" | Subtract 2" from Frame Width |
| 2" | Subtract 4" from Frame Width |

| Transit | | | | |
|--------------------------|---------|-------|----------------|----------|
| <input type="checkbox"/> | 129TO45 | K0108 | Transit System | \$367.00 |

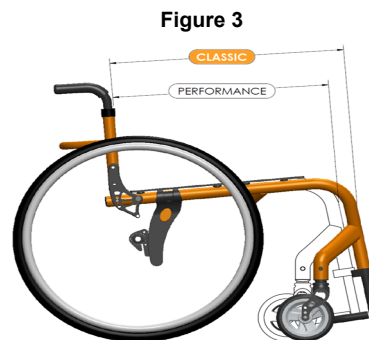
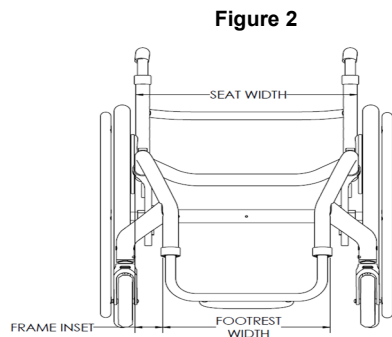
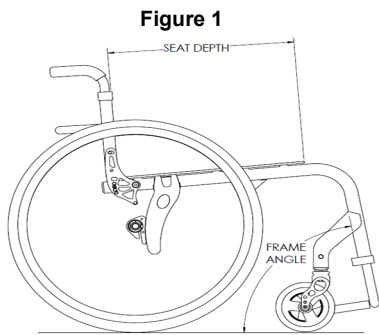
Transit not available w/ XTR suspension & Xtender.

| Frame Style (See Figure 3) | | | | |
|--|--------------------------|--------|--|------------|
| <i>XTR Suspension N/A with Xtender</i> | | | | |
| <input type="checkbox"/> | 129FS34 | | Classic Frame | NC |
| <input type="checkbox"/> | 129FS35 | | Standard Frame (Performance) | NC |
| <input type="checkbox"/> | 129FS36 | | XTR Suspension Frame <i>Only available in Performance Frame Set Up</i> | \$1,024.00 |
| | <input type="checkbox"/> | 129SK1 | Light Shock (up to 180 lbs.) | NC |
| | <input type="checkbox"/> | 129SK3 | Heavy Shock (up to 265 lbs.) | NC |

XTR available squeeze and RSH

| Seat Depth | Squeeze (FSH - RSH) |
|------------|---------------------|
| 14" | 2.0" or 3.0" |
| 15" | 2.0" or 3.5" |
| 16" | 2.5" or 3.5" |
| 17" | 2.5" or 4.0" |
| 18" | 2.5" or 4.0" |
| 19" | 2.5" or 4.5" |
| 20" | 3.0" or 4.5" |

| XTR Tire - Available RSH | |
|--------------------------|------------------|
| Rear Tire | RSH |
| 20" SHOX | 13.5" thru 15.0" |
| 20" all others | 14.0" thru 15.5" |
| 22" SHOX | 14.5" thru 16.0" |
| 22" Pneumatic | 15.5" thru 16.5" |
| 22" all others | 15.0" thru 16.0" |
| 24" SHOX | 15.5" thru 16.5" |
| 24" all others | 16.0" thru 17.0" |
| 25" SHOX | 16.0" thru 17.0" |
| 25" Marathon | 16.0" thru 17.5" |
| 26" all tires | 17.0" thru 18.0" |



Classic Frame - Traditional seat sling to front frame bend angle dimensions.

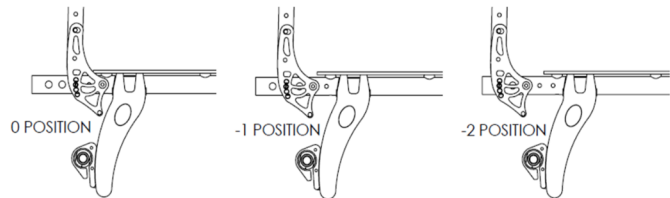
Standard Frame (Performance) - Seat Sling to front frame bend angle is 1.5" shorter than the classic position. Front of back cane post to front edge of seat sling will remain the same for both Classic and Performance.

| Option # | HCPCS | Definition | Price | Option # | HCPCS | Definition | Price |
|--------------------------|-------|------------|-------|----------|-------|------------|-------|
| 2. SIZE / SEATING | | | | | | | |

Depth Adjustable Backrest (Optional)

See diagram Depth Adjust Backrest extends the frame to the rear of the seat sling, select a factory setting. N/A on 19" and 20" Seat Depth or XTR frame.

| | | | |
|--------------------------|---------|---|----------|
| <input type="checkbox"/> | 129DP02 | 0 Setting Backrest at standard position, field adjustable to -1" or -2" | \$188.00 |
| <input type="checkbox"/> | 129DP03 | -1 Setting Backrest -1" offset, field adjustable to flush or -2" | \$188.00 |
| <input type="checkbox"/> | 129DP04 | -2 Setting Backrest -2" offset, field adjustable to flush or -1" | \$188.00 |



Seat Width

See Figure 2. Measure from outside of seat tube to outside of opposite seat tube. XTR and J3 Back N/A w/ 12" and 13" widths

| | | | |
|--------------------------|--------|-----------|----------|
| <input type="checkbox"/> | 129S3 | 12" | NC |
| <input type="checkbox"/> | 129S4 | 13" | NC |
| <input type="checkbox"/> | 129S5 | 14" | NC |
| <input type="checkbox"/> | 129S6 | 15" | NC |
| <input type="checkbox"/> | 129S7 | 16" | NC |
| <input type="checkbox"/> | 129S8 | 17" | NC |
| <input type="checkbox"/> | 129S9 | 18" | NC |
| <input type="checkbox"/> | 129S10 | 19" | NC |
| <input type="checkbox"/> | 129S48 | E2201 20" | \$572.00 |

Seat Depth

See Figure .1 Measures from front of back post to front edge of seat sling. Seat sling will be 1" shorter than depth ordered, but actual seat depth will remain the same as ordered. XTR frame N/A with 12" and 13" depth

| | | | |
|--------------------------|---------|-----------|----------|
| <input type="checkbox"/> | 129SD5 | 12" | NC |
| <input type="checkbox"/> | 129SD6 | 13" | NC |
| <input type="checkbox"/> | 129SD7 | 14" | NC |
| <input type="checkbox"/> | 129SD8 | 15" | NC |
| <input type="checkbox"/> | 129SD9 | 16" | NC |
| <input type="checkbox"/> | 129SD10 | 17" | NC |
| <input type="checkbox"/> | 129SD11 | 18" | NC |
| <input type="checkbox"/> | 129SD12 | 19" | NC |
| <input type="checkbox"/> | 129SD13 | E2203 20" | \$628.00 |

Seat Sling

| | | | |
|--------------------------|--------|---------------------|----------|
| <input type="checkbox"/> | 129SL1 | Standard Seat Sling | NC |
| <input type="checkbox"/> | 129SL6 | Omit Seat Sling | -\$15.00 |

JAY Cushions (Optional)

To order any JAY cushions on-chair, please see the JAY price list. Cushion name or part number must be filled out with desired width and depth

| | | | |
|--------------------------|---------|------------------------|------------|
| <input type="checkbox"/> | 129JC20 | JAY Bundled Cushion | Price List |
| | | Cushion Name or Part # | |
| | | Width: | Depth: |

3. CASTERS / SEAT HEIGHT

Front Seat Height

See Figures 4 and 5

| | | | | | | | |
|--------------------------|---------|-------|----|--------------------------|---------|-------|----|
| <input type="checkbox"/> | 129SH14 | 16.0" | NC | <input type="checkbox"/> | 129SH20 | 18.5" | NC |
| <input type="checkbox"/> | 129SH15 | 16.5" | NC | <input type="checkbox"/> | 129SH21 | 19.0" | NC |
| <input type="checkbox"/> | 129SH16 | 17.0" | NC | <input type="checkbox"/> | 129SH23 | 19.5" | NC |
| <input type="checkbox"/> | 129SH17 | 17.5" | NC | <input type="checkbox"/> | 129SH24 | 20.0" | NC |
| <input type="checkbox"/> | 129SH18 | 18.0" | NC | <input type="checkbox"/> | 129SH26 | 20.5" | NC |
| <input type="checkbox"/> | | | | <input type="checkbox"/> | 129SH27 | 21.0" | NC |

Front to Rear Seat Height Differences

| Frame Depth | Max Seat Sqz |
|-------------|--------------|
| 12"/13" | 2.5" |
| 14"/15" | 3.0" |
| 16"/17" | 3.5" |
| 18"/19" | 4.0" |
| 20" | 4.5" |

Caster Wheels

| | | | |
|--------------------------|---------|--|----------|
| <input type="checkbox"/> | 129CW1 | 3" Micro | NC |
| <input type="checkbox"/> | 129CW3 | 4" Low Profile Polyurethane | NC |
| <input type="checkbox"/> | 129CW31 | 4" Micro Lighted | \$80.00 |
| <input type="checkbox"/> | 129CW72 | 4" x 1" Aluminum Polyurethane | \$126.00 |
| <input type="checkbox"/> | 129CW44 | E2219 4" x 1.25" Semi Pneumatic | \$62.00 |
| <input type="checkbox"/> | 129CW64 | 4" x 1.5" Aluminum Soft Roll | \$212.00 |
| <input type="checkbox"/> | 129CW5 | 5" Low Profile Polyurethane | NC |
| <input type="checkbox"/> | 129CW51 | 5" Micro Lighted | \$98.00 |
| <input type="checkbox"/> | 129CW6 | E2219 5" Soft Roll (Grey) N/A w/ Frog Legs | \$103.00 |
| <input type="checkbox"/> | 129CW65 | 5"x 1" Aluminum Polyurethane | \$126.00 |
| <input type="checkbox"/> | 129CW7 | E2219 5"x 1.5" Semi Pneumatic | \$98.00 |
| <input type="checkbox"/> | 129CW66 | 5"x 1.5" Aluminum Soft Roll | \$223.00 |
| <input type="checkbox"/> | 129CW34 | 6" Polyurethane | NC |
| <input type="checkbox"/> | 129CW35 | E2219 6"x 1.5" Semi Pneumatic | \$98.00 |
| <input type="checkbox"/> | 129CW68 | 6"x 1.5" Aluminum Soft Roll | \$234.00 |

Caster Fork

See Figures 5 and 6. Figure 6 in appendix pg 6.

| | | | |
|--------------------------|---------|---------------------|----------|
| <input type="checkbox"/> | 129CF65 | Multi Position Fork | NC |
| <input type="checkbox"/> | 129CF69 | Single Side Fork | \$193.00 |

Caster Fork Suspension

| | | | |
|--------------------------|---------|---|----------|
| <input type="checkbox"/> | 129CF53 | E1015 Frog Legs 0 weight to 100 lbs | \$497.00 |
| <input type="checkbox"/> | 129CF54 | E1015 Frog Legs 101 lbs weight to 190 lbs | \$497.00 |
| <input type="checkbox"/> | 129CF55 | E1015 Frog Legs 191 lbs weight to 265 lbs | \$497.00 |

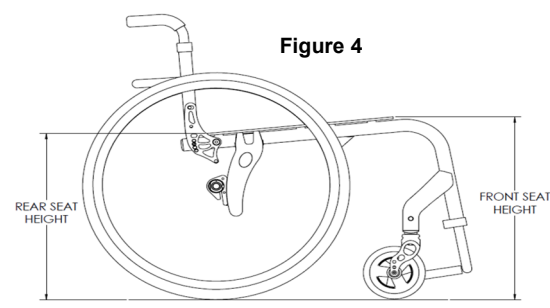


Figure 4

Figure 5

| Caster Size | Available FSH per Caster Fork | | |
|-------------|-------------------------------|--------------------------------|-----------|
| | Short (Multi, Single Sided) | Standard (Multi, Single Sided) | Frog Legs |
| 3" | 16"-20" | 16.5"-21" | 17"-21" |
| 4" | 16"-20.5" | 16.5"-21" | 17"-21" |
| 5" | 17,18,19,20,21" | 17"-21" | 18"-21" |
| 6"x1" | N/A | 18"-21" | 19,20,21" |
| 6"x1.5" | N/A | 18"-21" | 19,20,21" |

✓ Option # HCPCS Definition Price ✓ Option # HCPCS Definition Price

4. REAR WHEELS / SEAT HEIGHT

Rear Seat Height

Please reference RSH-Axle plate-wheel diagram on bottom of the page.

| | | | |
|--------------------------|---------|-------|----|
| <input type="checkbox"/> | 129RH11 | 13.0" | NC |
| <input type="checkbox"/> | 129RH12 | 13.5" | NC |
| <input type="checkbox"/> | 129RH13 | 14.0" | NC |
| <input type="checkbox"/> | 129RH14 | 14.5" | NC |
| <input type="checkbox"/> | 129RH15 | 15.0" | NC |
| <input type="checkbox"/> | 129RH16 | 15.5" | NC |
| <input type="checkbox"/> | 129RH17 | 16.0" | NC |
| <input type="checkbox"/> | 129RH18 | 16.5" | NC |
| <input type="checkbox"/> | 129RH19 | 17.0" | NC |
| <input type="checkbox"/> | 129RH26 | 17.5" | NC |
| <input type="checkbox"/> | 129RH20 | 18.0" | NC |
| <input type="checkbox"/> | 129RH27 | 18.5" | NC |
| <input type="checkbox"/> | 129RH21 | 19.0" | NC |
| <input type="checkbox"/> | 129RH37 | 19.5" | NC |
| <input type="checkbox"/> | 129RH22 | 20.0" | NC |

Camber

0,3,6 available with std frame. 0,4,8 available with XTR frame. 3 N/A w/Suspension.

| | | | |
|--------------------------|--------|----|----|
| <input type="checkbox"/> | 129CI1 | 0° | NC |
| <input type="checkbox"/> | 129CI2 | 3° | NC |
| <input type="checkbox"/> | 129CI3 | 4° | NC |
| <input type="checkbox"/> | 129CI4 | 6° | NC |
| <input type="checkbox"/> | 129CI5 | 8° | NC |

| Axle Plate - Wheel - Available RSH | | | | | |
|------------------------------------|-----------|-------------|-----------|-----------|-----------|
| Axle Plate | 20" Wheel | 22" Wheel | 24" Wheel | 25" Wheel | 26" Wheel |
| Std Short | 13"-17" | 13.5"-18" | 14.5"-19" | 15"-19.5" | 15.5"-20" |
| Std Long | 13"-18.5" | 13.5"-19.5" | 14.5"-20" | 15"-20" | 15.5"-20" |
| Amp Short | 13.5"-17" | 14.5"-18" | 15.5"-19" | 16"-19.5" | 16.5"-20" |
| Amp Long | 13.5"-19" | 14.5"-20" | 15.5"-20" | 16"-20" | 16.5"-20" |
| Susp | 14"-17.5" | 15"-18.5" | 16"-19.5" | 16.5"-20" | 17"-20" |
| Xtender | N/A | 17.5"-19.5" | 18.5"-20" | N/A | N/A |

*Note: other factors such as CG or Transit may limit RSH

Xtender Power Assist

RSH 17.5"-19.5" with 22" wheels, RSH 18.5"-20" with 24" wheels 0 camber, N/A w/ Amputee Axle. 22" & 24" wheels only. Not available with XTR or standard rear suspension. Anti-Tips no charge with Xtender. Dual Drive mode available w/B4ME

| | | | | |
|--------------------------|--------|-------|--|-------------|
| <input type="checkbox"/> | 129XT6 | E0986 | 22" Xtender Power Assist JWX-2 NICKEL | \$9,710.00 |
| <input type="checkbox"/> | 129XT7 | E0986 | 22" Xtender Power Assist JWX-2 LITHIUM | \$10,676.00 |
| <input type="checkbox"/> | 129XT4 | E0986 | 24" Xtender Power Assist JWX-2 NICKEL | \$9,710.00 |
| <input type="checkbox"/> | 129XT5 | E0986 | 24" Xtender Power Assist JWX-2 LITHIUM | \$10,676.00 |

Please select one of the following handrim options

| | | | |
|--------------------------|--------|-----------------|----|
| <input type="checkbox"/> | 129XH5 | Plastic Coated | NC |
| <input type="checkbox"/> | 129XH6 | Stainless Steel | NC |

Xtender - Other Options

| | | | |
|--------------------------|---------|-----------------------------------|------------|
| <input type="checkbox"/> | 129XA10 | Spare NiMH Power Pack - NICKEL | \$1,596.00 |
| <input type="checkbox"/> | 129XA11 | Spare Li-ion Power Pack - LITHIUM | \$2,053.00 |

Xtender Wheel Options

| | | | | |
|--------------------------|--------|----------------|-----------------------------------|----------|
| <input type="checkbox"/> | 129XA8 | | SPARE 22" Lite Spoke Pneu Alum | NC |
| <input type="checkbox"/> | 129XA9 | E2211 E2213 | SPARE 22" Lite Spoke Pneu Plastic | \$229.00 |
| <input type="checkbox"/> | 129XA2 | | SPARE 24" Lite Spoke Pneu Alum | NC |
| <input type="checkbox"/> | 129XA4 | E2211 E2213 | SPARE 24" Lite Spoke Pneu Plastic | \$229.00 |

Rear Wheel Size

Ultra Lightweight Wheels only available with aluminum anodized handrim

Contact Built 4 Me for Spinerger color options

| | | | |
|--------------------------|----------|-----------------------------------|------------|
| <input type="checkbox"/> | 129RW103 | 20" Mag Wheel 5 Spoke | NC |
| <input type="checkbox"/> | 129RW104 | 22" Mag Wheel 5 Spoke | NC |
| <input type="checkbox"/> | 129RW102 | 24" Mag Wheel 5 Spoke | NC |
| <input type="checkbox"/> | 129RW90 | 20" Lite Spoke Wheel | \$229.00 |
| <input type="checkbox"/> | 129RW91 | 22" Lite Spoke Wheel | \$229.00 |
| <input type="checkbox"/> | 129RW92 | 24" Lite Spoke Wheel | NC |
| <input type="checkbox"/> | 129RW93 | 25" Lite Spoke Wheel | NC |
| <input type="checkbox"/> | 129RW94 | 26" Lite Spoke Wheel | \$229.00 |
| <input type="checkbox"/> | 129RW06 | 22" Ultra Lightweight Spoke Wheel | \$286.00 |
| <input type="checkbox"/> | 129RW10 | 24" Ultra Lightweight Spoke Wheel | \$286.00 |
| <input type="checkbox"/> | 129RW28 | 22" Spinerger SPOX Black | \$966.00 |
| <input type="checkbox"/> | 129RW95 | 24" Spinerger SPOX Black | \$966.00 |
| <input type="checkbox"/> | 129RW96 | 25" Spinerger SPOX Black | \$966.00 |
| <input type="checkbox"/> | 129RW97 | 26" Spinerger SPOX Black | \$966.00 |
| <input type="checkbox"/> | 129RW32 | 22" Spinerger LX Black | \$1,213.00 |
| <input type="checkbox"/> | 129RW98 | 24" Spinerger LX Black | \$1,213.00 |
| <input type="checkbox"/> | 129RW99 | 25" Spinerger LX Black | \$1,213.00 |
| <input type="checkbox"/> | 129RW40 | 26" Spinerger LX Black | \$1,213.00 |
| <input type="checkbox"/> | 129RW50 | 24" Mountain | \$286.00 |

Rear Wheel Tire

See Availability Matrix on PAGE 4.

| | | | | |
|--------------------------|---------|----------------|---|----------|
| <input type="checkbox"/> | 129RT1 | | Pneumatic | NC |
| <input type="checkbox"/> | 129RT2 | E2212 E2213 | Pneumatic w/ Airless Insert N/A with Xtender | \$98.00 |
| <input type="checkbox"/> | 129RT3 | | Full Poly | NC |
| <input type="checkbox"/> | 129RT38 | E2218 | SHOX Performance Poly | \$108.00 |
| <input type="checkbox"/> | 129RT39 | E2211 E2212 | High-Pressure Clincher Black | \$108.00 |
| <input type="checkbox"/> | 129RT21 | E2211 E2212 | Schwalbe Marathon Plus Evolution | \$161.00 |
| <input type="checkbox"/> | 129RT27 | E2211 E2212 | Knobby V- Trak by Kenda | \$108.00 |
| <input type="checkbox"/> | 129RT12 | E2211 E2212 | Mountain Tire Only available in 24" | \$108.00 |

Handrim

Plastic is not available on all wheels in all sizes. Natural Fits available in 22" 24" and 25". Natural Fit 5 spoke MAG only in 24". Handrim Selection N/A w/ Xtender.

See matrix figure 7 in appendix page 6 for reference.

| | | | |
|--------------------------|---------|---|----------|
| <input type="checkbox"/> | 129HR1 | Aluminum Anodized | NC |
| <input type="checkbox"/> | 129HR4 | Plastic Coated N/A w/ 25" & 26" Lite Spoke Wheels | \$126.00 |
| <input type="checkbox"/> | 129HR22 | Natural Fit - Standard Grip | \$538.00 |
| <input type="checkbox"/> | 129HR25 | Natural Fit - No Thumb Grip | \$466.00 |
| <input type="checkbox"/> | 129HR23 | Natural Fit - Super Grip | \$599.00 |
| <input type="checkbox"/> | 129HR30 | Natural Fit LT - Standard Grip | \$538.00 |
| <input type="checkbox"/> | 129HR31 | Natural Fit LT - Super Grip | \$599.00 |
| <input type="checkbox"/> | 129HR32 | Natural Fit LT - No Thumb Grip | \$466.00 |
| <input type="checkbox"/> | 129HR26 | The Surge - Oval w/Gription Strip | \$483.00 |
| <input type="checkbox"/> | 129HR27 | The Surge LT - Oval w/Gription Strip | \$520.00 |
| <input type="checkbox"/> | 129HR28 | Q-Grip Neoprene Coated | \$424.00 |
| <input type="checkbox"/> | 129HR24 | Spinerger Flex Rim Only available on Spinerger LX wheels 24" & 25" | \$800.00 |
| <input type="checkbox"/> | 129HR8 | 8 Oblique Projections N/A w/ SHOX tires, only available with 24" Lite Spoke | \$372.00 |
| <input type="checkbox"/> | 129HR7 | Omit Handrim N/A w/ Ultra Lightweight Wheels | NC |

✓ Option # HCPCS Definition Price ✓ Option # HCPCS Definition Price

4. REAR WHEELS / SEAT HEIGHT (CONT)

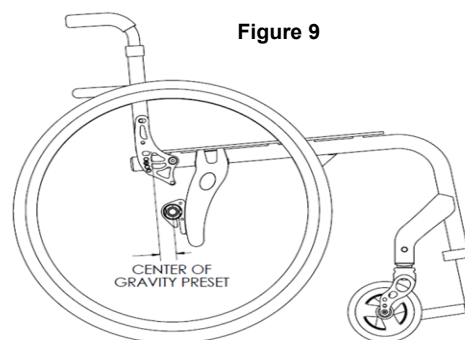
| Axle | | | |
|--------------------------|---------|--|---|
| <input type="checkbox"/> | 129AX1 | | Quick Release Steel NC |
| <input type="checkbox"/> | 129AX13 | | Quad Quick Release <i>Only available on 24" Mountain rear wheels</i> \$144.00 |

| Axle Plates | | | |
|--|----------|-------|--|
| <i>Selection not required for XTR Suspension</i> | | | |
| <input type="checkbox"/> | 129AL40 | | Standard Short (COG 0.5" to 4") <i>Some limitations with STFH</i> NC |
| <input type="checkbox"/> | 129AL43 | | Standard Long (COG 0.5" to 4") NC |
| <input type="checkbox"/> | 129AL100 | E0959 | Axle plate amputee short \$201.00 |
| <input type="checkbox"/> | 129AL101 | E0959 | Axle plate amputee long \$201.00 |
| <input type="checkbox"/> | 129AL38 | E1015 | Suspension (COG -0.5 to +3) <i>N/A with XTR Suspension Frame</i> \$451.00 |
| <input type="checkbox"/> | 129AL39 | | Xtender (COG 1"-4") NC |

| Rear Suspension Rating | | | |
|--|---------|--|---|
| <i>Selection not required for XTR Suspension. N/A with Xtender</i> | | | |
| <input type="checkbox"/> | 129SV04 | | From 0 weight to 100 lbs (Yellow) NC |
| <input type="checkbox"/> | 129SV05 | | From 101 lbs weight to 190 lbs (Red) NC |

| Center of Gravity | | | |
|---|---------|--|----------|
| <i>Measure from front of back post to center of rear axle. XTR Suspension Frame will be factory set at 1.5", Xtender 1"- 4"</i> | | | |
| <input type="checkbox"/> | 129CC29 | | -1.5" NC |
| <input type="checkbox"/> | 129CC11 | | -1" NC |
| <input type="checkbox"/> | 129CC10 | | -.5" NC |
| <input type="checkbox"/> | 129CC12 | | 0" NC |
| <input type="checkbox"/> | 129CC1 | | .5" NC |
| <input type="checkbox"/> | 129CC2 | | 1" NC |
| <input type="checkbox"/> | 129CC3 | | 1.5" NC |
| <input type="checkbox"/> | 129CC4 | | 2" NC |
| <input type="checkbox"/> | 129CC5 | | 2.5" NC |
| <input type="checkbox"/> | 129CC6 | | 3" NC |
| <input type="checkbox"/> | 129CC7 | | 3.5" NC |
| <input type="checkbox"/> | 129CC8 | | 4" NC |

| Tire | Wheel | | | | |
|---|-------------|-------------|-------------------|----------|----------|
| | 5 Spoke Mag | Lite Spoke | Ultra Lightweight | Spinergy | Mountain |
| Pneumatic | 20,22,24 | 20,22,24,26 | | 22,24,26 | |
| Pneumatic w/ Airless Insert | 20,22,24 | 20,22,24 | | 22,24 | |
| Full Poly | 20,22,24 | 20,22,24 | | | |
| SHOX Performance Poly | 20,22,24 | 20,22,24,25 | | 24,25 | |
| High-Pressure Clincher Blk | | 22,24,26 | 22,24 | 22,24,26 | |
| Schwalbe Marathon | | 24,25,26 | | 24,25,26 | |
| Knobby V Trak by Kenda | | 24 | | 24 | |
| Mountain Tire | | | | | 24 |
| 20"= 451 mm 22" = 501 mm 24" = 540 mm 25" = 559 26" = 590mm | | | | | |



5. WHEEL LOCKS

| Wheel Lock | | | |
|---|---------|--|--------------------|
| <i>Not all wheel locks available in all seat depths, wheel sizes and COG settings. XTR suspension only available w/ high mount push</i> | | | |
| <input type="checkbox"/> | 129WL46 | | High Mount Push NC |
| <input type="checkbox"/> | 129WL50 | | High Mount Pull NC |
| <input type="checkbox"/> | 129WL68 | | Ergo Scissor NC |
| <input type="checkbox"/> | 129WL64 | | Compact \$161.00 |
| <input type="checkbox"/> | 129WL10 | | Omit Wheel Lock NC |
| <input type="checkbox"/> | 129WL12 | | Do Not Mount NC |

| Extension Handle | | | |
|--|--------|-------|----------------------------------|
| <i>Only available w/ High Mount Push or Pull Wheel Locks</i> | | | |
| <input type="checkbox"/> | 129EH7 | E0961 | Extension handles (Pair) \$86.00 |

| Grade Aid | | | |
|---|--------|-------|--------------------|
| <i>Only avail w/ high mount push or pull. N/A w/ clincher, poly, SHOX, Schwalbe, or Xtender</i> | | | |
| <input type="checkbox"/> | 129GA1 | E0974 | Grade Aid \$172.00 |

6. FOOTREST OPTIONS

| Footrest | | | |
|---|---------|-------|---|
| <i>Angle Adjustable Flip Back N/A w/ 19-20 wide & w/ 0" inset. Some Flip back configurations won't allow 2" ground clearance and will need to raise up. Flip back not available 1" inset & 5"- 6" casters. See matrix in Appendix</i> | | | |
| <input type="checkbox"/> | 129F229 | | Aluminum Tubular NC |
| <input type="checkbox"/> | 129F274 | | Aluminum Tubular w/ Snap On Cover \$35.00 |
| <input type="checkbox"/> | 129F276 | K0040 | Angle Adjustable Flip Back \$212.00 |
| <input type="checkbox"/> | 129F51 | K0040 | Aluminum Platform Footrest \$108.00 |
| <input type="checkbox"/> | 129F278 | K0040 | High Mount Platform \$108.00 |

| Adaptive Platform Spacer | | | |
|--|--------|--|--------------------------------------|
| <i>Only available with Platform footrest & Angle Adj. Flip Back.</i> | | | |
| <input type="checkbox"/> | 129AD1 | | Adaptive Platform 2" Spacer \$108.00 |
| <input type="checkbox"/> | 129AD2 | | Adaptive Platform 4" Spacer \$108.00 |
| <input type="checkbox"/> | 129AD3 | | Adaptive Platform 6" Spacer \$108.00 |

| Footrest Options | | | |
|--------------------------|---------|-------|--|
| <input type="checkbox"/> | 129DI03 | K0038 | Leg Strap \$46.00 |
| <input type="checkbox"/> | 129DI04 | K0038 | Extra Leg Strap \$46.00 |
| <input type="checkbox"/> | 129DI05 | | Gel Hanger Cover \$121.00 |
| <input type="checkbox"/> | 129DI07 | | Neoprene Impact Guards \$103.00 |
| <input type="checkbox"/> | 129DI02 | | Wear Pads \$57.00 |
| <input type="checkbox"/> | 129DI06 | | Position Plates (N/A for Tubular Footrest) \$57.00 |

| ✓ | Option # | HCPCS | Definition | Price | ✓ | Option # | HCPCS | Definition | Price |
|-----------------------------------|----------|-------|---|----------|---------------------------------|----------|-------|-----------------------------------|----------|
| 7. BACKREST | | | | | | | | | |
| Back Type | | | | | Back Upholstery | | | | |
| <input type="checkbox"/> | 129BT3 | | Non-Folding Angle Adjustable | NC | <input type="checkbox"/> | 129BU1 | | Standard Upholstery | NC |
| <input type="checkbox"/> | 129BT82 | | Folding w/ Double Lock Down Angle Adj | NC | <input type="checkbox"/> | 129BU88 | | Standard Upholstery EXO | \$57.00 |
| Height Adjustable Backrest | | | | | Military Service Patches | | | | |
| <input type="checkbox"/> | 129B110 | | 10" - 14" Back Height | NC | <input type="checkbox"/> | 129VU1 | | US Marines Patch | \$114.00 |
| | | | <input type="checkbox"/> 10 <input type="checkbox"/> 11 <input type="checkbox"/> 12 <input type="checkbox"/> 13 <input type="checkbox"/> 14 | | <input type="checkbox"/> | 129VU2 | | US Army Patch | \$114.00 |
| <input type="checkbox"/> | 129B127 | | 12" - 16" Back Height | NC | <input type="checkbox"/> | 129VU3 | | US Navy Patch | \$114.00 |
| | | | <input type="checkbox"/> 12 <input type="checkbox"/> 13 <input type="checkbox"/> 14 <input type="checkbox"/> 15 <input type="checkbox"/> 16 | | <input type="checkbox"/> | 129VU4 | | US Air Force Patch | \$114.00 |
| <input type="checkbox"/> | 129B111 | | 14" - 18" Back Height | NC | <input type="checkbox"/> | 129VU12 | | US Coast Guard | \$114.00 |
| | | | <input type="checkbox"/> 14 <input type="checkbox"/> 15 <input type="checkbox"/> 16 <input type="checkbox"/> 17 <input type="checkbox"/> 18 | | <input type="checkbox"/> | 129VU5 | | Purple Heart | \$114.00 |
| <input type="checkbox"/> | 129B137 | | 16" - 20" Back Height | NC | <input type="checkbox"/> | 129VU8 | | Purple Heart with Marines Patch | \$177.00 |
| | | | <input type="checkbox"/> 16 <input type="checkbox"/> 17 <input type="checkbox"/> 18 <input type="checkbox"/> 19 <input type="checkbox"/> 20 | | <input type="checkbox"/> | 129VU9 | | Purple Heart with Army Patch | \$177.00 |
| Push Handles | | | | | <input type="checkbox"/> | | | | |
| <input type="checkbox"/> | 129PH6 | | Integral Push Handles | NC | <input type="checkbox"/> | 129VU10 | | Purple Heart with Navy Patch | \$177.00 |
| <input type="checkbox"/> | 129PH5 | | Fold-Down Push Handles N/A w/ 10-14" Back Height or Standard Upholstery. | \$114.00 | <input type="checkbox"/> | 129VU11 | | Purple Heart with Air Force Patch | \$177.00 |
| <input type="checkbox"/> | 129PH2 | | Omit Push Handles | NC | <input type="checkbox"/> | 129VU13 | | Purple Heart with Coast Guard | \$177.00 |
| JAY J3 Back | | | | | | | | | |
| <input type="checkbox"/> | 129JB01 | | JAY J3 Back | See OF | | | | | |

| 8. ARMREST / SIDEGUARDS | | | | | | | | | |
|---|---------|-------|--|----------|---|---------|-------|--|----------|
| Armrest - Padded Swing Away | | | | | Side Guards | | | | |
| <i>Includes angle adj receiver hardware. Some limitations may exist w/ integral push handles, some RSHs and wheel sizes</i> | | | | | <i>Some interference may exist w/ padded SA arms at lowest settings</i> | | | | |
| <input type="checkbox"/> | 129AA18 | E0973 | Padded Swing-Away STD (9" to 14") | \$258.00 | <input type="checkbox"/> | 129SG33 | K0108 | Plastic - Standard | \$166.00 |
| | | | Setting <input type="checkbox"/> 9" <input type="checkbox"/> 10" <input type="checkbox"/> 11" <input type="checkbox"/> 12" <input type="checkbox"/> 13" <input type="checkbox"/> 14" | | <input type="checkbox"/> | 129SG29 | K0108 | Plastic - Low | \$166.00 |
| Armrest - Height Adjustable | | | | | <input type="checkbox"/> | | | | |
| <input type="checkbox"/> | 129AA11 | E0973 | Single Post Ht. Adjust. Std (8.5"-13.5") | \$326.00 | <input type="checkbox"/> | 129SG35 | K0108 | Aluminum N/A w/ push, pull or compact wheel lock. N/A w/ XTR suspension | \$280.00 |
| <input type="checkbox"/> | 129AA29 | E0973 | Single Post Ht. Adjust. Low (7"-11") | \$326.00 | <input type="checkbox"/> | 129SG36 | K0108 | Aluminum w/ Fender N/A w/ push, pull or compact wheel locks. N/A w/ XTR suspension | \$315.00 |
| Armpad - For Height Adjustable | | | | | <input type="checkbox"/> | | | | |
| <i>Recommend using classic style for tray tables</i> | | | | | <input type="checkbox"/> | | | | |
| <input type="checkbox"/> | 129AM23 | | Desk Length (10") Classic | NC | <input type="checkbox"/> | 129SG12 | K0108 | Carbon Fiber N/A w/ push, pull or compact wheel locks | \$526.00 |
| <input type="checkbox"/> | 129AM21 | | Desk Length (10") Contour | NC | Color For Aluminum Side Guard | | | | |
| <input type="checkbox"/> | 129AM24 | | Full Length (14") Classic | NC | <input type="checkbox"/> | 129GE01 | | Black | NC |
| <input type="checkbox"/> | 129AM22 | | Full Length (14") Contour | NC | <input type="checkbox"/> | 129GE02 | | Matching Frame - Standard Colors | NC |
| | | | | | <input type="checkbox"/> | 129GE03 | | Matching Frame - Personalized Color | \$57.00 |

| 9. KEY OPTIONS AND ACCESSORIES | | | | | | | | | |
|---|---------|-------|---|----------|--|----------|-------|--|----------|
| Anti Tips | | | | | Spoke Guards | | | | |
| <i>Anti Tip Single Side N/A 12W-14W</i> | | | | | <i>Only available with Lite spoke. N/A w/ Xtender Power Assist</i> | | | | |
| <i>Anti Tip Single Side N/A with XTR, Xtender and Suspension Axles.</i> | | | | | | | | | |
| <input type="checkbox"/> | 129AT1 | E0971 | Anti Tips (Pair) | \$172.00 | <input type="checkbox"/> | 1294A01 | K0065 | Quickie Black Spoke Guard | \$131.00 |
| <input type="checkbox"/> | 129AT3 | | Omit Rear Anti Tip | NC | <input type="checkbox"/> | 1294A02 | K0065 | Quickie Clear Spoke Guard | \$131.00 |
| <input type="checkbox"/> | 129AT14 | E0971 | Anti Tip Single Side - Flip Up | \$201.00 | Miscellaneous | | | | |
| | | | <input type="checkbox"/> Left <input type="checkbox"/> Right (Facing from rear) | | <input type="checkbox"/> | 129A2100 | E2207 | Crutch Holder Only available with Integral or Fold Down push handle. Not available with XTR Suspension | \$223.00 |
| Pack Accessories | | | | | <input type="checkbox"/> | | | | |
| <input type="checkbox"/> | 129A1 | | Black Utility Backpack | \$86.00 | <input type="checkbox"/> | 1298A22 | | Bolt-On Push Handles | \$131.00 |
| <input type="checkbox"/> | 129A2 | | Back Pack Black/Charcoal Kids | \$69.00 | <input type="checkbox"/> | 1298A21 | | Tool Kit | \$62.00 |
| <input type="checkbox"/> | 1291A01 | | Seat Pouch Black | \$57.00 | <input type="checkbox"/> | 1298A05 | | Gel-Pad swing away arm | \$172.00 |
| Positioning Belt | | | | | <input type="checkbox"/> | | | | |
| <input type="checkbox"/> | 129A826 | E0978 | Belt 1.5" Auto Buckle Universal | \$80.00 | <input type="checkbox"/> | 129A999 | | Quickie Water Bottle & Holder | \$62.00 |
| <input type="checkbox"/> | 129A802 | E0978 | Belt 2" Aircraft Buckle | \$126.00 | Upper Extremity Support Tray | | | | |
| <input type="checkbox"/> | 129A803 | E0978 | Belt 2" Aircraft Buckle Padded | \$136.00 | <input type="checkbox"/> | 129A29 | E0950 | X-Small (Suggested for 10"-12") | \$292.00 |
| <input type="checkbox"/> | 129A804 | | Positioning Belt Clamps Only | \$57.00 | <input type="checkbox"/> | 129A30 | E0950 | Small (Suggested for 13"-14") | \$292.00 |
| | | | | | <input type="checkbox"/> | 129A31 | E0950 | Medium (Suggested for 15"-17") | \$305.00 |
| | | | | | <input type="checkbox"/> | 129A32 | E0950 | Large (Suggested for 18"-20") | \$305.00 |

10. COLOR

Standard Frame Colors

| | | | |
|--------------------------|---------|-----------------------------------|----|
| <input type="checkbox"/> | 129C140 | Aztec Gold | NC |
| <input type="checkbox"/> | 129C2 | Black (Not avail as base w/Zebra) | NC |
| <input type="checkbox"/> | 129C141 | Black Cherry | NC |
| <input type="checkbox"/> | 129C10 | Black Opal | NC |
| <input type="checkbox"/> | 129C38 | Blue Opal | NC |
| <input type="checkbox"/> | 129C36 | Candy Blue | NC |
| <input type="checkbox"/> | 129C14 | Candy Purple | NC |
| <input type="checkbox"/> | 129C35 | Candy Red | NC |
| <input type="checkbox"/> | 129C142 | Electric Blue | NC |
| <input type="checkbox"/> | 129C143 | Evergreen | NC |
| <input type="checkbox"/> | 129C44 | Glossy White | NC |
| <input type="checkbox"/> | 129C126 | Glow | NC |
| <input type="checkbox"/> | 129C144 | Green Apple | NC |
| <input type="checkbox"/> | 129C147 | Hot Sparkle Pink | NC |
| <input type="checkbox"/> | 129C148 | Mauve Pink | NC |
| <input type="checkbox"/> | 129C103 | Rootbeer | NC |
| <input type="checkbox"/> | 129C114 | Sparkle Silver | NC |
| <input type="checkbox"/> | 129C145 | Sunrise Orange | NC |
| <input type="checkbox"/> | 129C113 | Titanium Color Paint | NC |
| <input type="checkbox"/> | 129C8 | Yellow | NC |

Matte Frame Colors

| | | | |
|--------------------------|---------|---------------------|----|
| <input type="checkbox"/> | 129C116 | Matte Black | NC |
| <input type="checkbox"/> | 129C151 | Matte Black Cherry | NC |
| <input type="checkbox"/> | 129C150 | Matte Electric Blue | NC |
| <input type="checkbox"/> | 129C149 | Matte Evergreen | NC |
| <input type="checkbox"/> | 129C152 | Matte Purple | NC |

Personalized Frame Color

| | | | |
|--------------------------|---------|---|----------|
| <input type="checkbox"/> | 129C112 | Desert Camouflage | \$451.00 |
| <input type="checkbox"/> | 129C43 | Mossy Oak Camouflage | \$451.00 |
| <input type="checkbox"/> | 129C42 | Stars & Stripes | \$451.00 |
| <input type="checkbox"/> | 129C108 | Zebra (Choose above base color) Std with White unless above base paint is chosen N/A w/ Blck, Matte Black, Blck Opal or Titanium) | \$451.00 |

Anodized Color Package

Package includes only forks, backcane bracket, axle sleeve clamp, footrest clamp, Axle plate plug.
Frog Legs, Xtender, suspension axle plates black only

| | | | |
|--------------------------|---------|------------|----------|
| <input type="checkbox"/> | 129EB02 | Black | NC |
| <input type="checkbox"/> | 129EB06 | Blue | \$183.00 |
| <input type="checkbox"/> | 129EB05 | Lime Green | \$183.00 |
| <input type="checkbox"/> | 129EB04 | Purple | \$183.00 |
| <input type="checkbox"/> | 129EB03 | Red | \$183.00 |
| <input type="checkbox"/> | 129EB01 | Ti Grey | \$183.00 |
| <input type="checkbox"/> | 129EB13 | Gold | \$183.00 |

Built For Me

To inquire about any unique personalized Quickie products, contact:
Phone: (800) 333 - 4000, Option #3, Fax: (800) 333 9011



11. APPENDIX

Figure 6

| Caster Size | Fork | Tubular/Flat | | | Platform | | | AA Flipback | | |
|-----------------|--|--------------|------|----|----------|------|----|-------------|-----|----|
| | | Inset | | | Inset | | | Inset | | |
| | | 0" | 1" | 2" | 0" | 1" | 2" | 0" | 1" | 2" |
| 75° Frame Angle | 3" All Forks | | | | | | | N/A | | |
| | 4" All Forks | | | | | | | N/A | | |
| | 5" All Multi/Carb/Sngl Froglegs | N/A | | | .5" | | | N/A | N/A | |
| 80° Frame Angle | 3" All Forks | | | | | | | N/A | | |
| | 4" All Multi/Carb/Sngl Froglegs | N/A | | | | | | N/A | N/A | |
| | 5" All Multi/Carb/Sngl Froglegs | N/A | | | 1" | | | N/A | N/A | |
| 85° Frame Angle | 3" All Forks | | | | | | | N/A | | |
| | 4" All Multi/Carb/Sngl Froglegs | N/A | | | .5" | | | N/A | N/A | |
| | 5" Multi/Carb (short only) All Wide, Sngl Sd, or Tall Froglegs | N/A | .5" | | 2" | .5" | | N/A | N/A | |
| 85° Frame Angle | 3" All Forks | | | | | | | N/A | | |
| | 4" All Multi/Carb/Sngl Froglegs | N/A | | | | | | N/A | N/A | |
| | 5" Multi/Carb/Sngl (tall only) Froglegs | N/A | 1.5" | | N/A | 1.5" | | N/A | N/A | |
| 85° Frame Angle | 3" All Forks | | | | | | | N/A | | |
| | 4" All Multi/Carb/Sngl Froglegs | N/A | | | | | | N/A | N/A | |
| | 5" Multi/Carb/Sngl (tall only) Froglegs | N/A | 2" | | N/A | 2" | | N/A | N/A | |

☐ = Go ☐ = No Go # = "Soft" Go with limited seat angle (FSH-RSH). Min seat angle listed in cell.

Figure 7

| Handrims | Wheels | | | | | |
|----------------------------------|-------------|----------------|----------------|-------------|---------------|----------|
| | 5 Spoke Mag | Lite Spoke | Ultra Lightwgt | Spinergy LX | Spinergy SPOX | Mountain |
| Aluminum Anodized | 20,22,24 | 20,22,24,25,26 | 22,24 | 22,24,25,26 | 22,24,25,26 | 24 |
| Plastic Coat | 20,22,24 | 22,24 | | 24,26 | 24,26 | |
| Natural Fit - Standard Grip | 24 | 22,24,25,26 | | 22,24,25,26 | 22,24,25,26 | |
| Natural Fit - No Thumb Grip | 24 | 22,24,25,26 | | 22,24,25,26 | 22,24,25,26 | |
| Natural Fit - Super Grip | 24 | 22,24,25,26 | | 22,24,25,26 | 22,24,25,26 | |
| Natural Fit LT - Std Grip | 24 | 22,24,25,26 | | 22,24,25,26 | 22,24,25,26 | |
| Natural Fit LT - Super Grip | 24 | 22,24,25,26 | | 22,24,25,26 | 22,24,25,26 | |
| Natural Fit LT - No Thumb Grip | 24 | 22,24,25,26 | | 22,24,25,26 | 22,24,25,26 | |
| Surge - Oval w/Gription Strip | | 22,24,25,26 | | 22,24,25,26 | 22,24,25,26 | |
| Surge LT - Oval w/Gription Strip | | 22,24,25,26 | | 22,24,25,26 | 22,24,25,26 | |
| Q Grip Neoprene Coated | | 24,25 | | 24,25 | 24,25 | |
| Spinergy Flex Rim | | | | 24,25 | | |
| 8 Oblique Projection | | 24 | | | | |
| Omit Handrim | 20,22,24 | | | 22,24,25,26 | 22,24,25,26 | 24 |

