

# Design Template

## OCTANE **SUB4**



### Rider Information

**Name:** \_\_\_\_\_

**Phone:** \_\_\_\_\_

**Email:** \_\_\_\_\_

**Height:** \_\_\_\_\_ **Weight:** \_\_\_\_\_

**Current Chair:** \_\_\_\_\_ **Current Cushion:** \_\_\_\_\_

**Ability/Diagnosis:** \_\_\_\_\_

#### **RGK Contact Authorization:**

RGK would like to send you exclusive information, news and promotional offers on RGK.

I would like to be contacted by RGK:

**Signature:** \_\_\_\_\_ **Date:** \_\_\_\_\_

\*We do not pass your personal information onto any third party.

### Account Information

**Account Name :** \_\_\_\_\_

**Account #:** \_\_\_\_\_ **PO#:** \_\_\_\_\_

**Contact Name :** \_\_\_\_\_

**Phone:** \_\_\_\_\_

**Email:** \_\_\_\_\_

**Ship to:** **Account** **Rider**

**Name:** \_\_\_\_\_

**Address:** \_\_\_\_\_

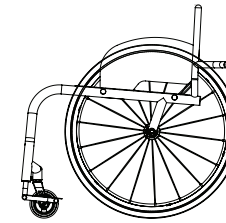
**RGK Genius:** \_\_\_\_\_

## Frame Styles

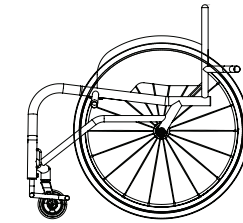
701XZ010 **Octane Sub4** (Max User Weight 110kg/242lbs. HCPCS Coded K0005)  
 701XA070 **Open design**  
 701XA080 **Ⓜ Dual-Tube design**

701XW009 **Quote Only** (No CAD for Approval)  
 701XW011 **Order Only** (No CAD for Approval)  
 701XW012 **Quote CAD drawing for approval** (1st CAD is NCO.)  
 701XW010 **Order CAD drawing for approval** (1st CAD is NCO.)

CAD approved by: **701XW013 Customer** **701XW014 RGK Genius**



Open Design



Dual-Tube Design

\$10,291  
 STD  
 NCO  
 STD  
 STD  
 NCO  
 NCO

## Measurements

**Please Note:** All RGK chairs are hand built and have a manufacturing tolerance of +/- 5mm (.25). All measurements can be done in 5mm (.25") increments.

**Please select either Millimeters or Inches.**

Measurements:  Millimeters (mm.)  Inches (in.)

**701XY010 Rear Seat Width** Measured from inside of side guard to inside of opposite side guard. Or outside seat tube to outside of opposite seat tube near backrest. (Min. 250mm/9.84" and Max. 440mm/17.32")

Current Chair:  mm.  in.      New Chair:  mm.  in.

**701XY020 Seat Depth/Seat Length** Measured from front of back post to the front edge of seat sling. Frame bend will start .5" in front of seat sling unless Extra Frame Length requested. (Min. 250mm/9.84" and Max. 470mm/18.5")

Current Chair:  mm.  in.      New Chair:  mm.  in.

**701XY030 Extra Frame Length** Measured from front edge of seat sling to beginning of Front frame bend. (Max. 470mm/18.5" Seat length + Extra seat length)

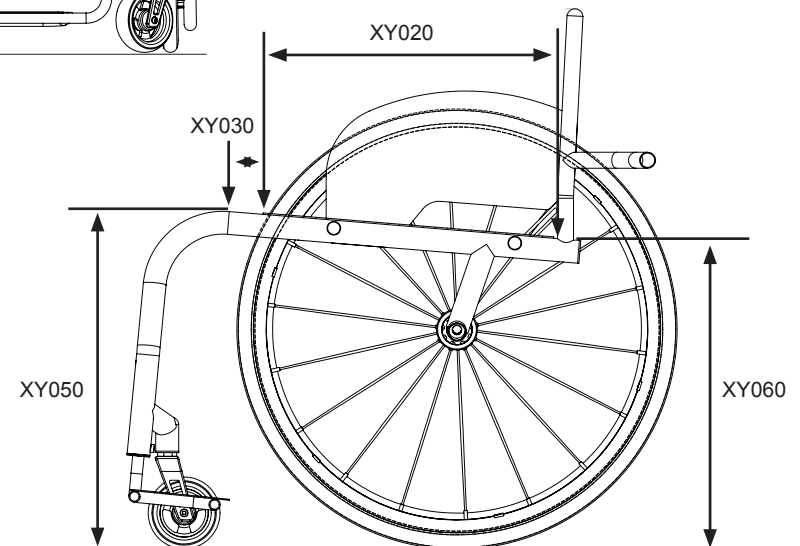
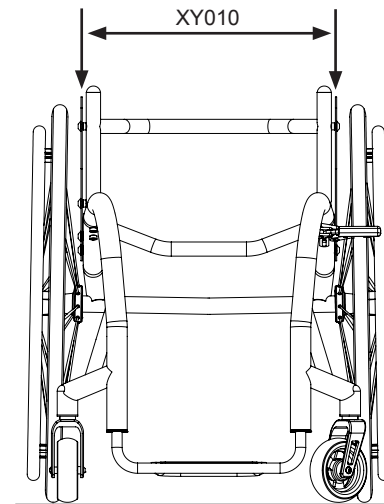
Current Chair:  mm.  in.      New Chair:  mm.  in.

**701XY050 Front Frame Height** Measured from floor to apex of seat tube. (Min. 380mm/14.96" and Max. 520mm/20.47")

Current Chair:  mm.  in.      New Chair:  mm.  in.

**701XY060 Rear Frame Height** Measured from floor to top of seat tube at back edge of seat sling. (Min. 360mm/14.17" and Max. 500mm/19.69")

Current Chair:  mm.  in.      New Chair:  mm.  in.



# Design Template

**701XY070 Occupied Frame Length/Frame Length** Measured from the front of the backrest tube to the front edge of the footrest. (Min. 390mm/15.35" and Max. 635mm/25")

Current Chair:   New Chair:

**701XY072 Caster Stem Position** Measured from the front edge of the footrest to the centerline of the caster barrel. **701XY073** RGK to Optimize:

Current Chair:   New Chair:

**701XA020 Ergonomic Seat** Measured from front of back post to beginning of upward bend of seat tube. \$91

Current Chair:   New Chair:

**701XY080 Front Seat Taper/Seat Taper Design** Measured from inside of front frame tube at the front frame bend to inside of opposite front frame tube at the front frame bend.

Current Chair:   New Chair:

**701XY091 Footrest Width/Parallel Taper** Measured from inside of front frame tube at footrest adjustment to inside of opposite front frame tube at footrest adjustment. (Tip: when ordered together XY091 is usually 20mm (1") less than XY080).

Current Chair:   New Chair:

**701XY115 Front Footrest Height** Measured from ground up to the top of the Front footrest tube or cover.

Current Chair:   New Chair:

**701XY120 Rear Footrest Height** Measured from ground up to the top of the Rear footrest tube or cover. Standard is 20mm less than Front Footrest Height.

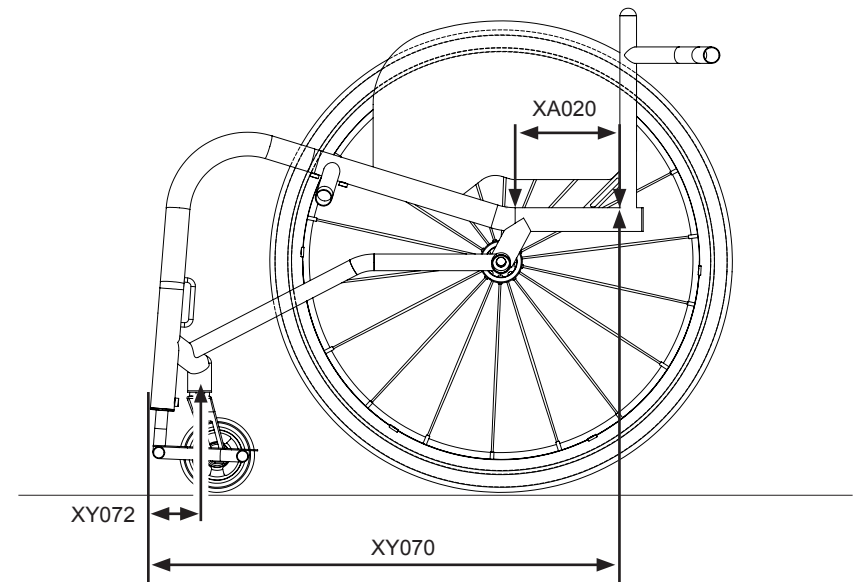
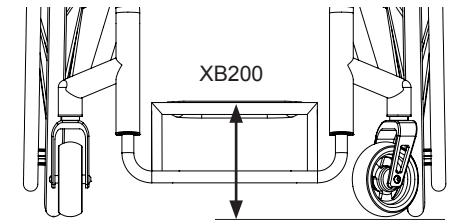
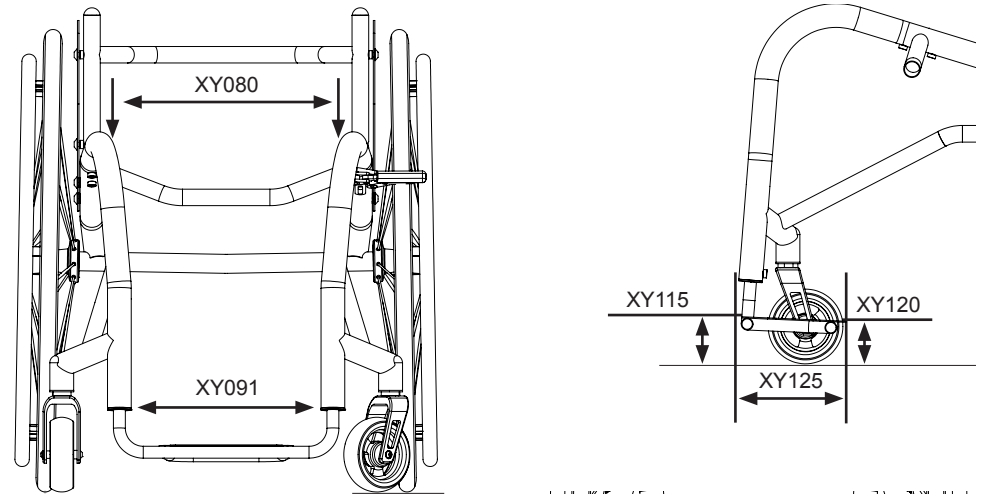
Current Chair:   New Chair:

**701XY125 Footrest Length** Measured from front edge of footrest to back edge of footrest. (Max 140mm for certified weight)

Current Chair:   New Chair:

**701XB200 High Mount Footrest/High Level Footrest** Measured from ground up to the top of the Front footrest tube or cover (Min. 127mm/5.5"). \$160

Current Chair:   New Chair:



# Design Template

**701XY330 Stem Bolt/Caster Pin Width** Measured from centerline of caster pin to the centerline of the opposite caster pin. 701XY331 RGK to Optimize:

Current Chair:   New Chair:

**701XY231 Backrest Height** Measured from top of seat tube at rear of frame to top of back-post.

Current Chair:   New Chair:

**701XY360 Backrest Angle** Measured as the angle from top front of the backrest tube to the floor. (Max. -10° to +10°) -5° -3° 0° 3° 5°

Current Chair:  New Chair:

**701XG110 Inward Taper** Measured from inside backrest tube to inside of opposite backrest tube at the top of the backrest. \$91

Current Chair:   New Chair:

**701XG100 Ergonomic Backrest** Measured from top of seat tube at rear of frame to the start of the rearward bend of back-post. \$91

Current Chair:   New Chair:

**701XG120 Outward Flare** Measured from inside backrest tube to inside of opposite backrest tube at the top of the backrest. \$91

Current Chair:   New Chair:

**701XY390 Camber Angle** Place a straight edge across the outside of rear wheel and use an angle finder to show the degree of camber.

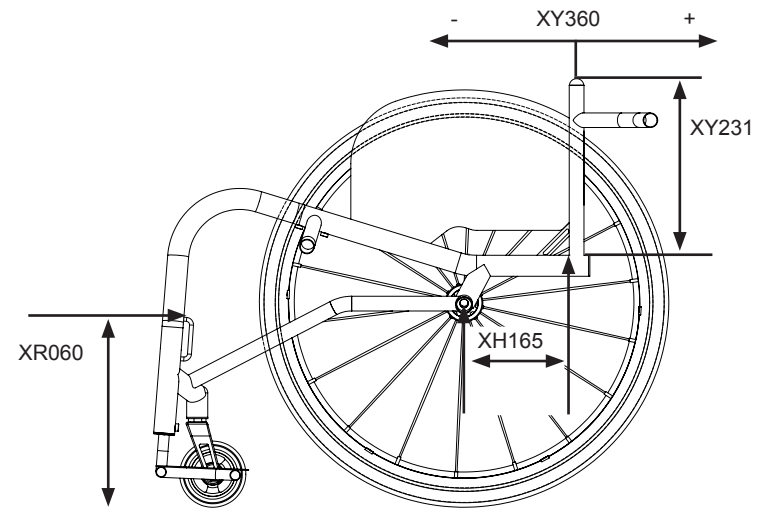
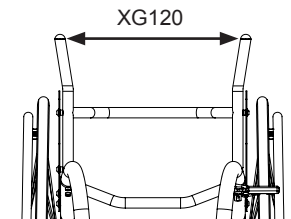
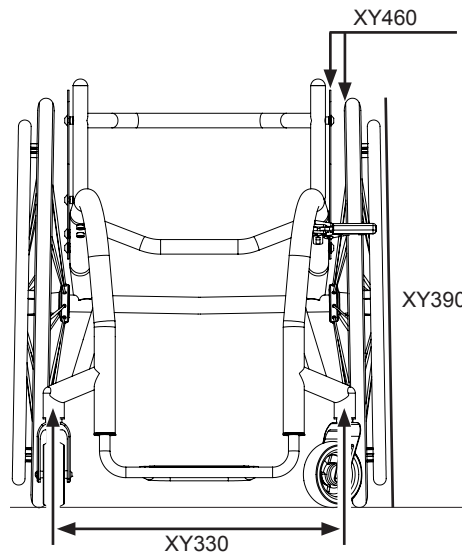
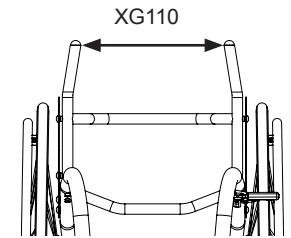
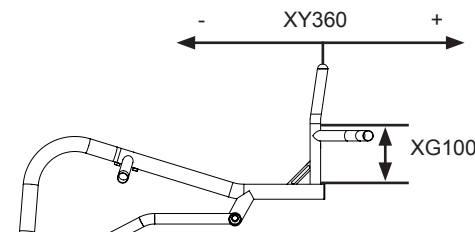
Current Chair:	1°	New Chair:	701XY397 1°
	2°		701XY398 2°
	3°		701XY399 3°

**701XH165 Center of Gravity** Measured from front of back post at the seat tube to the centerline of the rear axle.

Current Chair:   New Chair:

**701XY460 Rear Wheel Gap** Measured from outer most point of chair (seat back post, side guard or armrest) to inside of rear tire.

Current Chair:	.78"(20)	New Chair:	701XY465 .78"(20)
	1"(25)		701XY466 1"(25)



# Design Template

**701XR060 Welded Calf Strap Mounting Loops** Measured from the ground to the top of where the calf strap is required. 701XR061 RGK to Optimize: \$115

Current Chair:

New Chair:

## Footrest Design

701XY100	<b>Round Design</b> (Titanium)	STD
701XY105	<b>Ⓢ Square Design</b> (Titanium)	NCO

## Footrest Cover

701XB045	<b>Ⓢ Lightweight 3K carbon fiber, footrest cover WITH center cut out</b>	STD
701XB046	<b>Lightweight 3K carbon fiber, footrest cover WITHOUT center cut out</b>	NCO
701XB155	<b>Ⓢ Lightweight Spinergey Cast Carbon fiber, footrest cover WITH center cut out</b>	NCO
701XB156	<b>Light weight Spinergey Cast Carbon fiber footrest cover WITHOUT center cut out</b>	NCO

## Footplate Width

701XB049	<b>Footplate width Sub4 certified</b> (Std if no option selected)	STD
701XB050	<b>Ⓢ Footplate width optimized for chair</b>	NCO

## Front Wheels

701XC135	<b>Aluminum Center 4"x1.25"</b>	STD
701XC1131	Sliver hub & black tire	
701XC1132	Black hub & black tire	
701XC1133	Purple hub & black tire	
701XC1135	Red hub & black tire	
701XC1136	Blue hub & black tire	
701XC155	<b>4" x 1.25" Spinergey CX6 Cast Carbon fiber front wheel</b>	NCO
701XC156	Cerakoted Spinergey CX6 Cast Carbon fiber front wheel (Hub only. See Cerakot color options on page 6)	NCO
701XC140	<b>Ⓢ Aluminum Center 5"x1.4"</b> (Sliver hub & black tire)	\$146

## Forks

701XC190	<b>Low Ride fork</b>	STD
701XC192	<b>High Trail fork</b>	NCO
Part number	<b>Omobic Single Sided fork</b>	\$180

## Wheel Lock

701XD036	<b>Compact Scissor with Direct Mount</b> (Only available with 701XH100 Single post fixed center of gravity)	STD
701XD020	<b>Ⓢ Underseat Scissor</b>	NCO
701XD050	<b>Ⓢ Push To Lock</b>	NCO
701XD085	<b>Ⓢ Eagle</b> (Indicate color)	\$113
701XD086	<b>Ⓢ Eagle with Direct Mount</b> (Indicate color) (Only available with 701XH100 Single post fixed center of gravity)	\$129
701XD088	Black	
701XD089	Purple	
702XD090	Red	
701XD091	Blue	
Part number	<b>Omobic all aluminum</b>	\$108
Part number	<b>Omobic all aluminum with Direct Mount</b>	\$129

# Design Template

Part number	<b>Push Lox Dynamic Hub Locking system</b>	\$1,100					
701XD010	<b>Omit Wheel Lock</b>	NCO					
<b>Side Guards</b>							
701XE055	<b>Screw on lightweight 3k carbon fiber</b>	STD					
701XE275	<b>Screw on Spinergy CX6 Cast Carbon fiber</b>	NCO					
	701XEM05 25mm above tire (Follow tire)	NCO					
	701XEM06 Individual above tire (Follow tire - max. 25mm)	NCO					
	701XEM02 Level with tire	STD					
	701XEM07 Side guard length	STD					
	70XEM08 Side guard height	STD					
701XE065	<b>Screw on lightweight 3k carbon fiber with fender</b>	STD					
	701XEM03 10mm above tire	NCO					
	701XEM01 Individual above tire (Follow tire - max. 25mm)	NCO					
	701XEM10 Outside of Tire	STD					
Part number	<b>Omit side guards</b>	NCO					
<b>Backrest</b>							
701XG010	<b>Fixed Backrest</b> (non-folding)	STD					
701XG020	<b>Ⓢ Folding backrest with 2 position snap lock and angle adjust</b>	\$378					
<b>Center of Gravity</b>							
701XH100	<b>Single post fixed center of gravity</b>	STD					
701XH130	<b>Ⓢ Square back adjustable of gravity</b> (Range: 25mm - 125mm)	\$420					
701XH140	<b>Ⓢ Round back adjustable of gravity</b> (Range: 60mm - 125mm)	\$420					
<b>Push Handles</b>							
701XG070	<b>Ⓢ Screw in push handles</b>	\$177					
701XG080	<b>Ⓢ Flip down push handles</b>	\$271					
Part number	<b>Omit push handles</b>	NCO					
<b>Anti-Tip</b>							
701XJ100	<b>Ⓢ Single sport anti-tip</b>	\$501					
<b>Frame Finishes</b>							
<b>Non painted finishes</b>							
701XN030	<b>Bead-blast frame</b>	STD					
701XN050	<b>Polished frame</b>	NCO					
<b>Painted finishes</b>							
701XN500	<b>Ⓢ CeraKote frame</b>	NCO					
701XN600	<b>Ⓢ CeraKote components</b> (Component color will match frame if not otherwise specified. Components include: Forks, Wheel Lock clamps, and Camber Tube clamps.)	NCO					
701XN800	<b>Ⓢ CeraKote Spinergy wheels</b> (See Rear Wheel Type on page 8. Hubs and Rims are CeraKoted on Rear Wheels, Hubs on Front Wheels.)	\$345					
<b>Frame</b>	<b>Components</b>	<b>Spinergy</b>	<b>Colors</b>	<b>Frame</b>	<b>Components</b>	<b>Spinergy</b>	<b>Colors</b>
701XN501	701XN601	701XN801	<b>Midnight Black</b>	701XN509	701XN609	701XN809	<b>Rose Gold</b>
701XN502	701XN602	701XN802	<b>Java Bronze</b>	701XN510	701XN610	701XN810	<b>Retro Blue</b>
701XN503	701XN603	701XN803	<b>Pure Titanium</b>	701XN511	701XN611	701XN811	<b>Hot Pink</b>
701XN504	701XN604	701XN804	<b>Fire Red</b>	701XN512	701XN612	701XN812	<b>Wicked Green</b>
701XN505	701XN605	701XN805	<b>Prime Blue</b>	701XN513	701XN613	701XN813	<b>Bright White</b>

# Design Template

701XN506	701XN606	701XN806	<b>Sahara Gold</b>	701XN514	701XN614	701XN814	<b>Tangerine Orange</b>
701XN507	701XN607	701XN807	<b>Black Cherry</b>	701XN515	701XN615	701XN815	<b>Sunbeam Yellow</b>
701XN508	701XN608	701XN808	<b>Fresh Green</b>	701XN516	701XN616	701XN816	<b>Matte Navy</b>

## Accent Color

701XN251	<b>Black</b>	STD
701XN253	<b>Red</b>	NCO
701XN255	<b>Purple</b>	NCO
701XN252	<b>Silver</b>	NCO
701XN254	<b>Blue</b>	NCO

## Seat Upholstery

701XP045	<b>Sub4 Seat Sling Adjustable Strap</b>	STD
701XR050	<b>Ⓢ Carbon Fiber Seat Plate</b>	\$386

## Back Upholstery

701XP035	<b>Sub4 Airtech Adjustable Strap</b>	STD
701XP050	<b>Ⓢ Airtech Adjustable Strap</b>	NCO
701XP070	Ⓢ Backrest upgrade to leather corners (Only available with Airtech upholstery 701XP050)	\$137
701XP110	Ⓢ Backrest zip pocket (Only available with Airtech upholstery 701XP050)	\$102
<b>Upholstery Stitching Color</b>		
701XP550	Black	STD
701XP551	Silver	NCO
701XP552	Red	NCO
701XP553	Orange	NCO
701XP554	Blue	NCO
701XP555	Purple	NCO
<b>RGK Backrest Logo Color</b>		
701XP557	White (Standard if nothing selected)	STD
701XP558	Red	STD
701XP559	Black	NCO
701XP560	Blue	NCO
701XP561	Purple	NCO
Part number	<b>Omit back upholstery</b>	NCO

## Rear Wheel Size

701XY420	24" (540) Rear wheel size	701XY430	25" (559) Rear wheel size	STD
----------	---------------------------	----------	---------------------------	-----

## Rear Wheel Type

701XK075	<b>Spinergy BLXL</b> 18 bladed spoke	STD
701XK150	<b>Spinergy CLX</b> 18 bladed spokes carbon fiber rim	\$804
701XK226	<b>Titanium 100mm quick release axle pins</b>	STD
701XK155	<b>RGK EXCLUSIVE Spinergy CX6 Cast Carbon Fiber</b> (Black Carbon Fiber Hub, Matte Black Carbon Fiber Rim and Black Bladed Spokes with 2 White Bladed Spokes Around Valve Stem)	\$958
<b>Spinergy Spoke Colors</b>		
701XK650	Black	STD
701XK651	Red	NCO

# Design Template

701XK652	Purple	NCO
701XK653	White	NCO
701XK654	Blue	NCO
701XK655	Orange	NCO
701XK656	Yellow	NCO
701XK657	Pink	NCO
701XK658	Green	NCO
701XK180	Individual spoke design	\$201
<b>Spinergy Anodized Colors</b> (Rims and Hubs are anodized not spokes, on Spinergy BLXL (701XK075), Hubs only on CLX (701XK150))		
701XK190	Black	STD
701XK202	Purple	\$314
701XK203	Blue	\$314
701XK201	Red	\$314
701XK204	Gold	\$314

## Supply Without Rear Wheels

701XK040	<b>Omit Rear Wheels</b>	-542
	701XK041 Wheel Type:	701XK042 Tire Type:

## Handrims Style

701XY485	<b>Wide Tab Length</b>	STD
701XY480	<b>Narrow Tab Length</b>	NCO
	701XL090 <b>Remove excess mounting tabs</b> (Recommended for small rear wheel gaps)	\$115
701XL010	<b>Aluminum Hard Anodized 6 Tab</b>	STD
701XL020	<b>QGrip 6 Tab</b>	\$324
701XL040	<b>Titanium 6 Tab</b>	\$276
701XL035	<b>Natural-Fit LT</b>	\$616
701XL150	<b>Carbolife Gekko</b>	\$493
Part Number	<b>Carbolife Gekko S</b>	\$474
701XL170	<b>Carbolife Curve L</b>	\$428
Part Number	<b>Carbolife Curve</b>	\$412
701XL180	<b>Carbolife Curve L Tetra</b>	\$548
Part Number	<b>Carbolife Curve Tetra</b>	\$527
701XL190	<b>Carbolife Quadro</b>	\$548
701XL200	<b>Spinergy TC</b>	\$455
701XL210	<b>Spinergy TC Max</b>	\$534

## Tires

701XM060	<b>Schwalbe One</b> (Lightest option)	\$109
701XM150	<b>IRC EXERACER</b>	\$51
701XM020	<b>Schwalbe Marathon Plus</b>	\$78
701XM040	<b>Shox Solid Tire</b>	\$128
Part Number	<b>Schwalbe Rocket Ron mountain bike tire</b>	\$50

## Cushions

701XP080	④ <b>Cushion foam</b>					\$95
	Density	701XP001 Soft	701XP002 Medium			
	Thickness	701XP003 50mm	701XP004 75mm	701XP005 100mm		

## Cushion Covers

701XP085	④ <b>Nylon Cushion Cover</b> (Black)					STD
701XP090	④ <b>Airlite Cushion Cover</b> (Black)					\$73

## JAY Products - Please Include JAY Order Form

701XP900	④ <b>JAY Cushion</b>	Refer to JAY Order Form (Cushionn will ship seperately from chair)
701XP910	④ <b>JAY Backrest</b>	Refer to JAY Order Form (Cushionn will ship seperately from chair)

## Empulse Products - Please Include Empulse Order Form

701EP100	④ <b>Empulse Add-On Power-Assist Devices</b> (IN11- USEWITHRGK)	Ship with chair	<b>or</b>	Ship separate from chair (uninstalled)
	F35 - Pull Device			
	M90 - Wheel Add-On			
	R90 - Push-Assist			

## Accessories

701XR080	④ <b>Frontwheel Assembly</b>				\$834
Part Number	<b>Double sided Velcro</b> (To reverse velcro on seat sling and back. Standard is Loop on seat sling and Hook on back.)	<b>Double sided tape</b>	<b>Sewn in</b>		\$100
701XP120	④ <b>Zip Black Frame Protectors Neoprene Fasten</b> (Black)				\$82
701XP420	④ <b>Velcro Black Frame Protectors Nylon Fasten</b> (Black)				\$55
701XR010	④ <b>Black Seat Pouch Velcro Attach</b> (Black)				\$73
701XR200	④ <b>Black Backpack with RGK Logo</b> (Black)				\$70
Part Number	<b>Spinergy Wheel Bag</b>				\$150
Part Number	<b>Recon Mini Rider-Carry Air Compressor</b>				\$170
701XR090	<b>Tool Kit</b>				STD
701XS065	<b>Sub4 Calf Strap</b>				STD
	④ <b>Military Service Patches</b>				\$121
	701VU1 US Marine Patch	701VU2 US Army Patch	701VU3 US Navy Patch		
	701VU4 US Air Force Patch	701VU12 US Coast Guard Patch	701VU5 Purple Heart Patch		

## Ordering Information

**Estimated MSRP\***

**Quote**

**Order**

(\*Price does not include any non Design Template or one-off requested options)

Specification Notes

