



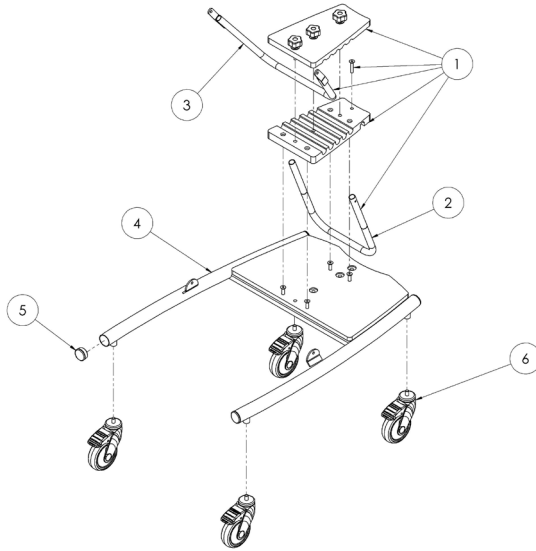
# Pronestander

Spare Parts Catalogue



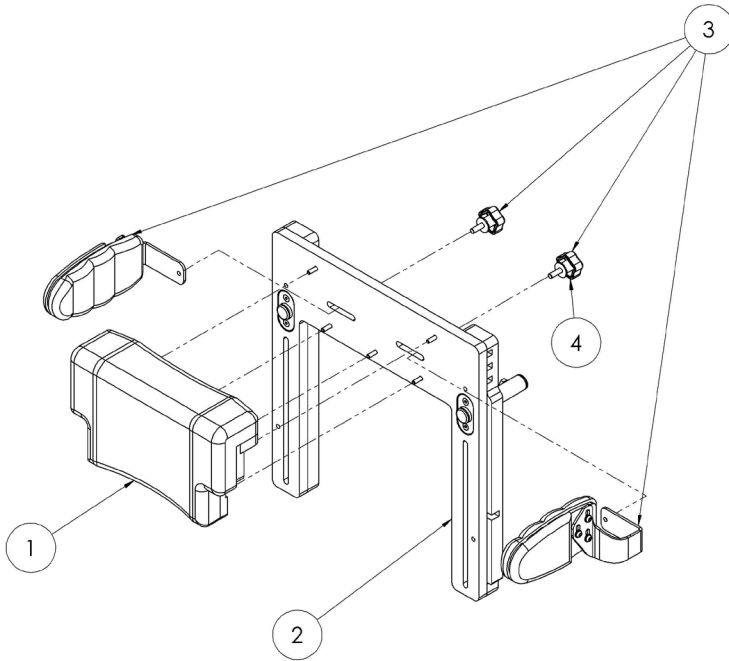
Supporting  
Children

# Pronestander Spare Parts - Main Frame



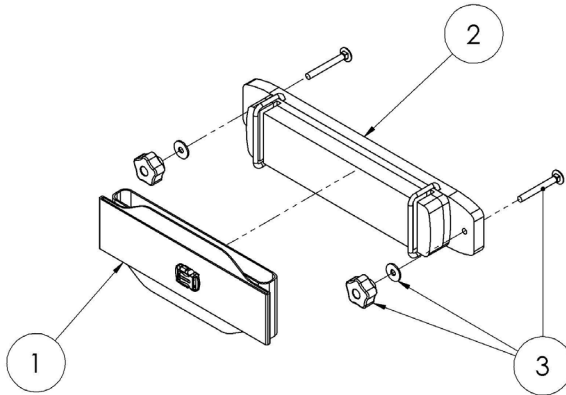
Pos.	Leckey Sales Code	Description	Min. Order Qty	Compatible with		
				Size 1	Size 2	Size 3
1	RAS-4-1963	Angle Support (Size 1)	1	●		
1	RAS-4-2963	Angle Support (Size 2)	1		●	
1	RAS-4-3963	Angle Support (Size 3)	1			●
2	RAS- 4-1035	Tray Lower Tube (Size 1)	1	●		
2	RAS-4-2035	Tray Lower Tube (Size 2)	1		●	
2	RAS-4-3035	Tray Lower Tube (Size 3)	1			●
3	RAS-4-1604	Angle Bar (Size 1)	1	●		
3	RAS-4-2604	Angle Bar (Size 2)	1		●	
3	RAS-4-3604	Angle Bar (Size 3)	1			●
4	RAS-4-1964	Chassis (Size 1)	1	●		
4	RAS-4-2964	Chassis (Size 2)	1		●	
4	RAS-4-3964	Chassis (Size 3)	1			●
5	SF56	1-1/2" Ribbed Tube Inserts [4 Pack]	1	●	●	●
6	IA13	4" Castor [Single]	1	●	●	●
6	LPS-9500	LPS Care Kit	1	●	●	●

# Pronestander Spare Parts - Main Plate & Chest Laterals



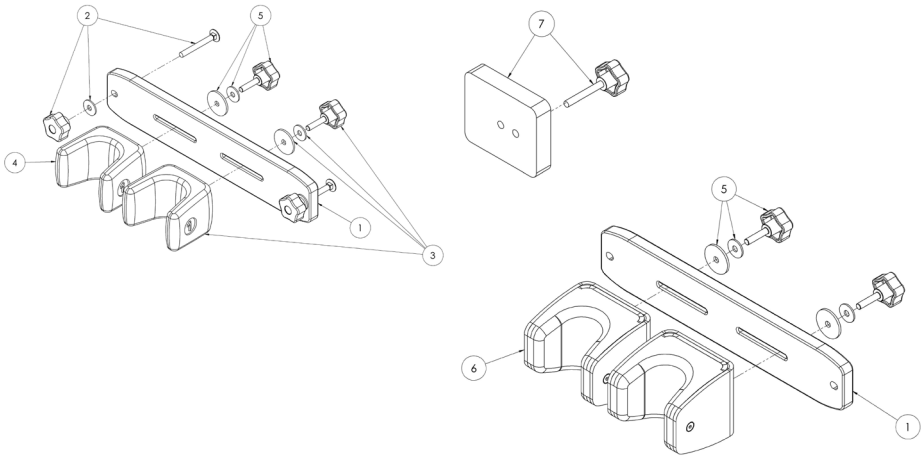
Pos.	Leckey Sales Code	Description	Min. Order Qty	Colour Options		Compatible with		
[Replace XX with colour]				Meadow	Mondeo Blue	Size 1	Size 2	Size 3
1	RAT-4-1611-XX	Chest Pad [Size 1]	1	-MW		●		
1	RAT-4-2611-XX	Chest Pad [Size 2]	1		-MB		●	
1	RAS-4-3611-XX	Chest Pad [Size 3]	1		-MB			●
2	RAS-4-1961	Inner Frame [Size 1]	1			●		
2	RAS-4-2961	Inner Frame [Size 2]	1				●	
2	RAS-4-3961	Inner Frame [Size 3]	1					●
3	LPS/1/103-XX	Flexi Chest Laterals [Size 1]	1	-MW		●		
3	LPS/2/103-XX	Flexi Chest Laterals [Size 2]	1		-MB		●	
3	LPS/3/103-XX	Flexi Chest Laterals [Size 3]	1		-MB			●
4	101-1968	Chest Fitting [Single]	1			●	●	●

# Pronestander Spare Parts - Hip Pad & Pelvic Band



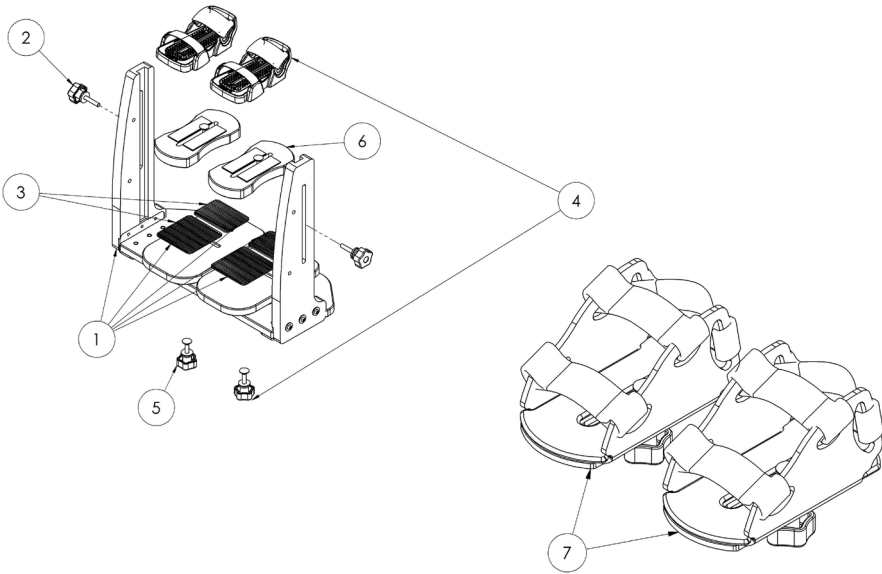
Pos.	Leckey Sales Code	Description	Min. Order Qty	Colour Options		Compatible with		
				Meadow	Mondeo Blue	Size 1	Size 2	Size 3
[Replace XX with colour]				Meadow	Mondeo Blue	Size 1	Size 2	Size 3
1	LPS/1/B-XX	Pelvic Band [Size 1]	1	-MW		●		
1	LPS/1/B1-XX	Pelvic Band [Size 1] +200mm	1	-MW		●		
1	LPS/1/B2-XX	Pelvic Band [Size 1] +400mm	1	-MW		●		
1	LPS/2/B-XX	Pelvic Band [Size 2]	1		-MB		●	●
1	LPS/2/B1-XX	Pelvic Band [Size 2] +200mm	1		-MB		●	●
1	LPS/2/B2-XX	Pelvic Band [Size 2] +400mm	1		-MB		●	●
1	LPS/3/B-XX	Pelvic Band [Size 3]	1		-MB		●	●
1	LPS/3/B1-XX	Pelvic Band [Size 3] +200mm	1		-MB		●	●
1	LPS/3/B2-XX	Pelvic Band [Size 3] +400mm	1		-MB		●	●
2	RAS-4-1655-XX	Hip Pad [Size 1]	1	-MW		●		
2	RAS-4-2655-XX	Hip Pad [Size 2]	1		-MB		●	
2	RAS-4-3655-XX	Hip Pad [Size 3]	1		-MB			●
3	RAS-4-1033	Plate Fittings [Single]	1			●	●	●

# Pronestander Spare Parts - Knee Pads



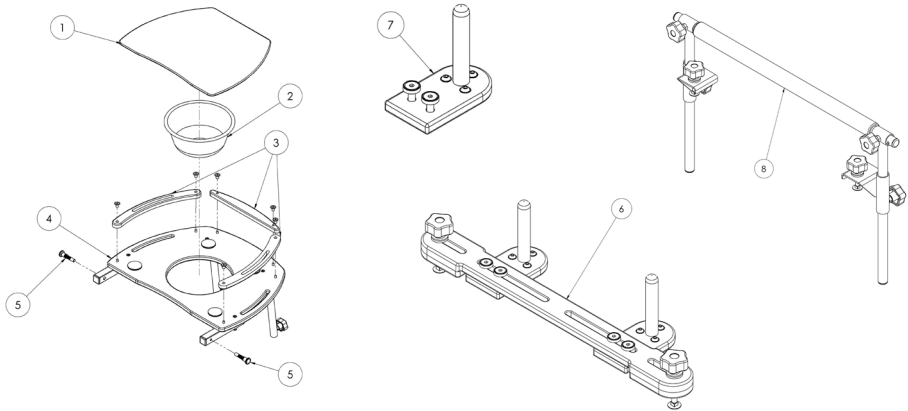
Pos.	Leckey Sales Code	Description	Min. Order Qty	Colour Options			Compatible with		
				Meadow	Mondeo Blue		Size 1	Size 2	Size 3
[Replace XX with colour]				Meadow	Mondeo Blue		Size 1	Size 2	Size 3
1	RAS-4-1028	Knee Plate [Size 1]	1			●			
1	RAS-4-2028	Knee Plate [Size 2]	1				●		
1	RAS-4-3028	Knee Plate [Size 3]	1					●	
2	RAS-4-1033	Plate Fittings [Single]	1			●	●	●	
3	102-1645	PU Kneecup with Fittings [Size 1] [Single]	1			●	●	●	
3	102-2645	PU Kneecup with Fittings [Size 2] [Single]	1			●	●	●	
3	102-3645	PU Kneecup with Fittings [Size 3] [Single]	1			●	●	●	
3	102-4645	PU Kneecup with Fittings [Extra Large] [Single]	1			●	●	●	
4	102-1640	PU Kneecup [Size 1] [Single]	1			●	●	●	
4	102-2640	PU Kneecup [Size 2] [Single]	1			●	●	●	
4	102-3640	PU Kneecup [Size 3] [Single]	1			●	●	●	
4	102-4640	PU Kneecup [Extra Large] [Single]	1			●	●	●	
5	RAS-4-1032	Knee Fittings [Single]	1			●	●	●	
6	RAS-4-1966-XX	Upholstered Knee Pad [Size 1] [Single]	1	-MW		●			
6	RAS-4-2966-XX	Upholstered Knee Pad [Size 2] [Single]	1		-MB		●		
6	RAS-4-3966-XX	Upholstered Knee Pad [Size 3] [Single]	1		-MB		●	●	
6	RAS-4-4966-XX	Upholstered Knee Pad [Size 4] [Single]	1		-MB		●	●	
7	LPS/1/F	Knee Spacer	1			●	●	●	

# Pronestander Spare Parts - Footplate & Sandals



Pos.	Leckey Sales Code	Description	Min. Order Qty	Compatible with		
				Size 1	Size 2	Size 3
1	RAS-4-1625	Footplate (Size 1)	1	●		
1	RAS-4-2625	Footplate (Size 2)	1		●	
1	RAS-4-3625	Footplate (Size 3)	1			●
2	RAS-4-1042	Footplate Fittings [Single]	1	●	●	●
3	101-1925	Footplate Rubber Mat (Size 1/2) [Pair]	1	●	●	●
4	152-1600	Sandal Size 1	1	●	●	●
4	152-2600	Sandal Size 2	1	●	●	●
4	152-3600	Sandal Size 3	1	●	●	●
5	152-1702	Sandal Fittings	1	●	●	●
6	LPS/1/J	Sandal Raiser (Size 1/2) [Single]	1	●	●	●
6	LPS/3/J	Sandal Raiser (Size 3) [Single]	1		●	●
7	LPS/1/A	Old Style Sandals (Size 1) [Pair]	1	●	●	●
7	LPS/2/A	Old Style Sandals (Size 2) [Pair]	1	●	●	●
7	LPS/3/A	Old Style Sandals (Size 3) [Pair]	1	●	●	●
7	LPS/4/A	Old Style Sandals (Size 4) [Pair]	1	●	●	●

# Pronestander Spare Parts - Tray, Grab Posts & Rail



Pos.	Leckey Sales Code	Description	Min. Order Qty	Compatible with		
				Size 1	Size 2	Size 3
1	RAS-4-1066	Tray Insert [Size 1]	1	●		
1	RAS-4-2066	Tray Insert [Size 2]	1		●	
1	RAS-4-3066	Tray Insert [Size 3]	1			●
2	SG41	8" Bowl	1	●		
2	SG42	10" Bowl	1		●	●
3	RAS-4-1948	Tray Trim Set [Size 1]	1	●		
3	RAS-4-2948	Tray Trim Set [Size 2]	1		●	
3	RAS-4-3948	Tray Trim Set [Size 3]	1			●
4	RAS-4-1959	Tray & Bars [Size 1]	1	●		
4	RAS-4-2959	Tray & Bars [Size 2]	1		●	
4	RAS-4-3959	Tray & Bars [Size 3]	1			●
5	RAS-4-1939	Tray Pin [Single]	1	●	●	●
6	LPS/1/D	Grab Posts [Size 1]	1	●		
6	LPS/2/D	Grab Posts [Size 2]	1		●	
6	LPS/3/D	Grab Posts [Size 3]	1			●
7	RAS-4-1965	Individual Grab Post	1	●	●	●
8	LPS/1/C	Grab Rail [Size 1]	1	●		
8	LPS/2/C	Grab Rail [Size 2]	1		●	
8	LPS/3/C	Grab Rail [Size 3]	1			●



Leckey  
19c Ballinderry Road  
Lisburn BT28 2SA  
Northern Ireland

{+44} 28 9260 0750  
hello@leckey.com

LS834-01

[leckey.com](http://leckey.com)

