

Mark For:

Date: _____
 Dealer Acct #: _____
 Dealer: _____
 Dealer Contact: _____
 Dealer Address: _____
 Dealer City: _____ ST: _____ ZIP: _____
 Dealer Phone: () _____ Fax: () _____
 Confirmation Email: _____
 Confirm Via: Fax Email

Submitting for:
 Quote Order

 PO#: _____

ADDITIONAL SHIPPING INFORMATION

Ship To: _____
 Attention: _____
 Address: _____
 Address: _____
 Ship To City: _____ ST: _____ ZIP: _____
 Ship To Phone: () _____ Fax: () _____

The **HCPCS CODES** herein are based on PDAC verification or interpretation of Medicare definitions and guidelines. Non-Medicare payers may accept alternative **HCPCS CODES**, including misc. codes to ensure access for their enrollees. The use of **HCPCS CODES** does not ensure coverage or payment.

Head Positioning - Use HCPCS Code E0955

Whitmyer headrests come unassembled. Please add item WHITASSY001 if the dealer would like parts assembled. This is a no charge option.
 Note: For cover selection, **L** = Lycra and **V** = Dartex Reversed (Example: AXYS-HUFALL or AXYS-HUFALV)

	<input type="checkbox"/> Receiver must be selected on pg 2		<input type="checkbox"/> Receiver must be selected on pg 2		<input type="checkbox"/> Receiver must be selected on pg 2		<input type="checkbox"/> Receiver must be selected on pg 2
PAD	AXYS	ONYX	LINX	LINX²			

PLUSH	*Utilizes neoprene foam for a thinner pad	19"
		14"
		10"
		8"
		6"
		6"*
		5"*

<input type="checkbox"/>	AXYS-P4L	\$321	<input type="checkbox"/>	ONYX-P4L	\$321	<input type="checkbox"/>	LINX-P4L	\$355	<input type="checkbox"/>	LINX2-P4L	\$396
<input type="checkbox"/>	AXYS-P4V	\$321	<input type="checkbox"/>	ONYX-P4V	\$321	<input type="checkbox"/>	LINX-P4V	\$355	<input type="checkbox"/>	LINX2-P4V	\$396
<input type="checkbox"/>	AXYS-P2L	\$242	<input type="checkbox"/>	ONYX-P2L	\$242	<input type="checkbox"/>	LINX-P2L	\$242	<input type="checkbox"/>	LINX2-P2L	\$282
<input type="checkbox"/>	AXYS-P2V	\$242	<input type="checkbox"/>	ONYX-P2V	\$242	<input type="checkbox"/>	LINX-P2V	\$242	<input type="checkbox"/>	LINX2-P2V	\$282
<input type="checkbox"/>	AXYS-P1L	\$231	<input type="checkbox"/>	ONYX-P1L	\$231	<input type="checkbox"/>	LINX-P1L	\$231	<input type="checkbox"/>	LINX2-P1L	\$271
<input type="checkbox"/>	AXYS-P1V	\$231	<input type="checkbox"/>	ONYX-P1V	\$231	<input type="checkbox"/>	LINX-P1V	\$231	<input type="checkbox"/>	LINX2-P1V	\$271
<input type="checkbox"/>	AXYS-P3L	\$231	<input type="checkbox"/>	ONYX-P3L	\$231	<input type="checkbox"/>	LINX-P3L	\$231	<input type="checkbox"/>	LINX2-P3L	\$271
<input type="checkbox"/>	AXYS-P3V	\$231	<input type="checkbox"/>	ONYX-P3V	\$231	<input type="checkbox"/>	LINX-P3V	\$231	<input type="checkbox"/>	LINX2-P3V	\$271
<input type="checkbox"/>	AXYS-P8L	\$231	<input type="checkbox"/>	ONYX-P8L	\$231	<input type="checkbox"/>	LINX-P8L	\$231	<input type="checkbox"/>	LINX2-P8L	\$271
<input type="checkbox"/>	AXYS-P8V	\$231	<input type="checkbox"/>	ONYX-P8V	\$231	<input type="checkbox"/>	LINX-P8V	\$231	<input type="checkbox"/>	LINX2-P8V	\$271
<input type="checkbox"/>	AXYS-P6L	\$175	<input type="checkbox"/>	ONYX-P6L	\$175	<input type="checkbox"/>	LINX-P6L	\$159	<input type="checkbox"/>	LINX2-P6L	\$198
<input type="checkbox"/>	AXYS-P6V	\$175	<input type="checkbox"/>	ONYX-P6V	\$175	<input type="checkbox"/>	LINX-P6V	\$159	<input type="checkbox"/>	LINX2-P6V	\$198
<input type="checkbox"/>	AXYS-P5L	\$175	<input type="checkbox"/>	ONYX-P5L	\$175	<input type="checkbox"/>	LINX-P5L	\$159	<input type="checkbox"/>	LINX2-P5L	\$198
<input type="checkbox"/>	AXYS-P5V	\$175	<input type="checkbox"/>	ONYX-P5V	\$175	<input type="checkbox"/>	LINX-P5V	\$159	<input type="checkbox"/>	LINX2-P5V	\$198

ADJUST -A- PLUSH	Large (Std)
	Medium
	Small (Narrow)

<input type="checkbox"/>	AXYS-AP2L	\$355	<input type="checkbox"/>	ONYX-AP2L	\$355	<input type="checkbox"/>	LINX-AP2L	\$355	<input type="checkbox"/>	LINX2-AP2L	\$389
<input type="checkbox"/>	AXYS-AP2V	\$355	<input type="checkbox"/>	ONYX-AP2V	\$355	<input type="checkbox"/>	LINX-AP2V	\$355	<input type="checkbox"/>	LINX2-AP2V	\$389
<input type="checkbox"/>	AXYS-AP3L	\$355	<input type="checkbox"/>	ONYX-AP3L	\$355	<input type="checkbox"/>	LINX-AP3L	\$355	<input type="checkbox"/>	LINX2-AP3L	\$389
<input type="checkbox"/>	AXYS-AP3V	\$355	<input type="checkbox"/>	ONYX-AP3V	\$355	<input type="checkbox"/>	LINX-AP3V	\$355	<input type="checkbox"/>	LINX2-AP3V	\$389
<input type="checkbox"/>	AXYS-AP1L	\$355	<input type="checkbox"/>	ONYX-AP1L	\$355	<input type="checkbox"/>	LINX-AP1L	\$355	<input type="checkbox"/>	LINX2-AP1L	\$389
<input type="checkbox"/>	AXYS-AP1V	\$355	<input type="checkbox"/>	ONYX-AP1V	\$355	<input type="checkbox"/>	LINX-AP1V	\$355	<input type="checkbox"/>	LINX2-AP1V	\$389

DUAL MOUNT ADJUST -A- PLUSH	19"
	Large
	Small




<input type="checkbox"/>	AXYS-P44L	\$575	<input type="checkbox"/>	ONYX-P44L	\$575	<input type="checkbox"/>	LINX-P44L	\$620	<input type="checkbox"/>	LINX2-P44L	\$661
<input type="checkbox"/>	AXYS-P44V	\$575	<input type="checkbox"/>	ONYX-P44V	\$575	<input type="checkbox"/>	LINX-P44V	\$620	<input type="checkbox"/>	LINX2-P44V	\$661
<input type="checkbox"/>	AXYS-P22L	\$565	<input type="checkbox"/>	ONYX-P22L	\$565	<input type="checkbox"/>	LINX-P22L	\$609	<input type="checkbox"/>	LINX2-P22L	\$650
<input type="checkbox"/>	AXYS-P22V	\$565	<input type="checkbox"/>	ONYX-P22V	\$565	<input type="checkbox"/>	LINX-P22V	\$609	<input type="checkbox"/>	LINX2-P22V	\$650
<input type="checkbox"/>	AXYS-AP22L	\$575	<input type="checkbox"/>	ONYX-AP22L	\$575	<input type="checkbox"/>	LINX-AP22L	\$620	<input type="checkbox"/>	LINX2-AP22L	\$655
<input type="checkbox"/>	AXYS-AP22V	\$575	<input type="checkbox"/>	ONYX-AP22V	\$575	<input type="checkbox"/>	LINX-AP22V	\$620	<input type="checkbox"/>	LINX2-AP22V	\$655
<input type="checkbox"/>	AXYS-AP33L	\$575	<input type="checkbox"/>	ONYX-AP33L	\$575	<input type="checkbox"/>	LINX-AP33L	\$620	<input type="checkbox"/>	LINX2-AP33L	\$655
<input type="checkbox"/>	AXYS-AP33V	\$575	<input type="checkbox"/>	ONYX-AP33V	\$575	<input type="checkbox"/>	LINX-AP33V	\$620	<input type="checkbox"/>	LINX2-AP33V	\$655
<input type="checkbox"/>	AXYS-AP11L	\$575	<input type="checkbox"/>	ONYX-AP11L	\$575	<input type="checkbox"/>	LINX-AP11L	\$620	<input type="checkbox"/>	LINX2-AP11L	\$655
<input type="checkbox"/>	AXYS-AP11V	\$575	<input type="checkbox"/>	ONYX-AP11V	\$575	<input type="checkbox"/>	LINX-AP11V	\$620	<input type="checkbox"/>	LINX2-AP11V	\$655

NARROW PLUSH

<input type="checkbox"/>	AXYS-P12L	\$231	<input type="checkbox"/>	ONYX-P12L	\$231	<input type="checkbox"/>	LINX-P12L	\$231	<input type="checkbox"/>	LINX2-P12L	\$271
<input type="checkbox"/>	AXYS-P12V	\$231	<input type="checkbox"/>	ONYX-P12V	\$231	<input type="checkbox"/>	LINX-P12V	\$231	<input type="checkbox"/>	LINX2-P12V	\$271

Head Positioning - Use HCPCS Code E0955

Whitmyer headrests come unassembled. Please add item WHITASSY001 if the dealer would like parts assembled. This is a no charge option.

		<input type="checkbox"/> Receiver must be selected at bottom of page		<input type="checkbox"/> Adult - 15" <input type="checkbox"/> Peds - 11" <input type="checkbox"/> EI - 10"		<input type="checkbox"/> Adult - 15" <input type="checkbox"/> Peds - 11" <input type="checkbox"/> EI - 10"
PAD	PRO		COBRA		COBRA-FB	

PLUSH	*Utilizes neoprene foam for a thinner pad	19"	<input type="checkbox"/> PRO-P4L	\$361	<input type="checkbox"/> COBRA-P4L	\$508	<input type="checkbox"/> FB-COBRA-P4L	\$665
		14"	<input type="checkbox"/> PRO-P4V	\$361	<input type="checkbox"/> COBRA-P4V	\$508	<input type="checkbox"/> FB-COBRA-P4V	\$665
		10"	<input type="checkbox"/> PRO-P2L	\$260	<input type="checkbox"/> COBRA-P2L	\$508	<input type="checkbox"/> FB-COBRA-P2L	\$598
		8"	<input type="checkbox"/> PRO-P2V	\$260	<input type="checkbox"/> COBRA-P2V	\$508	<input type="checkbox"/> FB-COBRA-P2V	\$598
		6"	<input type="checkbox"/> PRO-P1L	\$260	<input type="checkbox"/> COBRA-P1L	\$508	<input type="checkbox"/> FB-COBRA-P1L	\$598
		6"*	<input type="checkbox"/> PRO-P1V	\$260	<input type="checkbox"/> COBRA-P1V	\$508	<input type="checkbox"/> FB-COBRA-P1V	\$598
		5"*	<input type="checkbox"/> PRO-P3L	\$260	<input type="checkbox"/> COBRA-P3L	\$508	<input type="checkbox"/> FB-COBRA-P3L	\$598
			<input type="checkbox"/> PRO-P3V	\$260	<input type="checkbox"/> COBRA-P3V	\$508	<input type="checkbox"/> FB-COBRA-P3V	\$598

ADJUST -A- PLUSH	Large (Std)	<input type="checkbox"/> PRO-AP2L	\$384	<input type="checkbox"/> COBRA-AP2L	\$620	<input type="checkbox"/> FB-COBRA-AP2L	\$720
		<input type="checkbox"/> PRO-AP2V	\$384	<input type="checkbox"/> COBRA-AP2V	\$620	<input type="checkbox"/> FB-COBRA-AP2V	\$720
	Medium	<input type="checkbox"/> PRO-AP3L	\$384	<input type="checkbox"/> COBRA-AP3L	\$620	<input type="checkbox"/> FB-COBRA-AP3L	\$720
		<input type="checkbox"/> PRO-AP3V	\$384	<input type="checkbox"/> COBRA-AP3V	\$620	<input type="checkbox"/> FB-COBRA-AP3V	\$720
	Small (Narrow)	<input type="checkbox"/> PRO-AP1L	\$384	<input type="checkbox"/> COBRA-AP1L	\$620	<input type="checkbox"/> FB-COBRA-AP1L	\$720
		<input type="checkbox"/> PRO-AP1V	\$384	<input type="checkbox"/> COBRA-AP1V	\$620	<input type="checkbox"/> FB-COBRA-AP1V	\$720

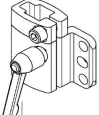



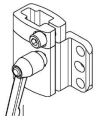



DUAL MOUNT -A- PLUSH	19"	<input type="checkbox"/> PRO-P44L	\$631	N/A			
		<input type="checkbox"/> PRO-P44V	\$631				
	14"	<input type="checkbox"/> PRO-P22L	\$530				
		<input type="checkbox"/> PRO-P22V	\$530				
	Large	<input type="checkbox"/> PRO-AP22L	\$631	<input type="checkbox"/> COBRA-AP22L	\$858	<input type="checkbox"/> FB-COBRA-AP22L	\$971
		<input type="checkbox"/> PRO-AP22V	\$631	<input type="checkbox"/> COBRA-AP22V	\$858	<input type="checkbox"/> FB-COBRA-AP22V	\$971
	Medium	<input type="checkbox"/> PRO-AP33L	\$631	<input type="checkbox"/> COBRA-AP33L	\$858	<input type="checkbox"/> FB-COBRA-AP33L	\$971
		<input type="checkbox"/> PRO-AP33V	\$631	<input type="checkbox"/> COBRA-AP33V	\$858	<input type="checkbox"/> FB-COBRA-AP33V	\$971
	Small	<input type="checkbox"/> PRO-AP11L	\$631	<input type="checkbox"/> COBRA-AP11L	\$858	<input type="checkbox"/> FB-COBRA-AP11L	\$971
		<input type="checkbox"/> PRO-AP11V	\$631	<input type="checkbox"/> COBRA-AP11V	\$858	<input type="checkbox"/> FB-COBRA-AP11V	\$971

NARROW PLUSH	<input type="checkbox"/> PRO-P12L	\$271	<input type="checkbox"/> COBRA-P12L	\$498	<input type="checkbox"/> FB-COBRA-P12L	\$609
	<input type="checkbox"/> PRO-P12V	\$271	<input type="checkbox"/> COBRA-P12V	\$498	<input type="checkbox"/> FB-COBRA-P12V	\$609

Mounting Brackets - Use HCPCS Code E1028









Head Support System Mounting Brackets must be ordered separately, except for COBRA

Note: If Dual Mount Pad is selected then quantity 2 of the appropriate Mounting Bracket must be selected

	AXYS	ONYX	LINX & LINXS²	PRO	COBRA mounting system includes detachable mounting bracket			
REMOVABLE MOUNTING BRACKET <small>(PART SOLD SEPARATELY FROM POST & PAD)</small>								
Detachable	<input type="checkbox"/> M2500	\$119	<input type="checkbox"/> M2100-WB	\$97		<input type="checkbox"/> M2300	\$186	<input type="checkbox"/> M2200-WB
REMOVABLE & SWING-AWAY MNT BRACKET <small>(PART SOLD SEPARATELY FROM POST & PAD)</small>								
Swing-Away	<input type="checkbox"/> M5500	\$226	<input type="checkbox"/> M5100	\$209	<input type="checkbox"/> M5300	\$299	<input type="checkbox"/> M5200	\$321

Lateral Facial Supports

Note: Cover Selection - Add L = Lycra or V = Dartex Reversed (Example: LFC-PLL)

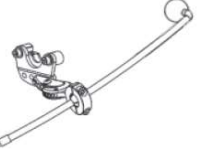
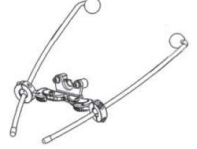


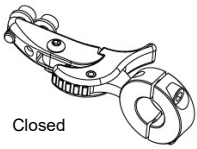
								
	2"	2.25" x 5"	2.25" x 7"	4" x 6"	2" x 6"	1.75" x 5"	1.25" x 4"	
	SPOT	STANDARD	LONG	OVAL	LARGE-C	MED-C	SMALL-C	FSO-B

Unilateral	<input type="checkbox"/>	LFC10-PLL \$248 LM115 \$90	<input type="checkbox"/>	LFC15-PLL \$248 LM115 \$90	<input type="checkbox"/>	LFC20-PLL \$248 LM115 \$90	<input type="checkbox"/>	LFC25-PLL \$248 LM115 \$90	<input type="checkbox"/>	LFC30-PLL \$248 LM115 \$90	<input type="checkbox"/>	LFC35-PLL \$248 LM115 \$90	<input type="checkbox"/>	LFC40-PLL \$248 LM115 \$90	<input type="checkbox"/>	LFC80-PL \$288 LM115 \$90
	<input type="checkbox"/>	LFC10-PLV \$248 LM115 \$90	<input type="checkbox"/>	LFC15-PLV \$248 LM115 \$90	<input type="checkbox"/>	LFC20-PLV \$248 LM115 \$90	<input type="checkbox"/>	LFC25-PLV \$248 LM115 \$90	<input type="checkbox"/>	LFC30-PLV \$248 LM115 \$90	<input type="checkbox"/>	LFC35-PLV \$248 LM115 \$90	<input type="checkbox"/>	LFC40-PLV \$248 LM115 \$90		

Bilateral	<input type="checkbox"/>	LFC10-PL2L \$463 LM115 \$90 LM115 \$90	<input type="checkbox"/>	LFC15-PL2L \$463 LM115 \$90 LM115 \$90	<input type="checkbox"/>	LFC20-PL2L \$463 LM115 \$90 LM115 \$90	<input type="checkbox"/>	LFC25-PL2L \$463 LM115 \$90 LM115 \$90	<input type="checkbox"/>	LFC30-PL2L \$463 LM115 \$90 LM115 \$90	<input type="checkbox"/>	LFC35-PL2L \$463 LM115 \$90 LM115 \$90	<input type="checkbox"/>	LFC40-PL2L \$463 LM115 \$90 LM115 \$90	<input type="checkbox"/>	LFC80-PL2 \$529 LM115 \$90 LM115 \$90
	<input type="checkbox"/>	LFC10-PL2V \$463 LM115 \$90 LM115 \$90	<input type="checkbox"/>	LFC15-PL2V \$463 LM115 \$90 LM115 \$90	<input type="checkbox"/>	LFC20-PL2V \$463 LM115 \$90 LM115 \$90	<input type="checkbox"/>	LFC25-PL2V \$463 LM115 \$90 LM115 \$90	<input type="checkbox"/>	LFC30-PL2V \$463 LM115 \$90 LM115 \$90	<input type="checkbox"/>	LFC35-PL2V \$463 LM115 \$90 LM115 \$90	<input type="checkbox"/>	LFC40-PL2V \$463 LM115 \$90 LM115 \$90		

Pad Only*	<input type="checkbox"/>	PL10L \$80	<input type="checkbox"/>	PL15L \$113	<input type="checkbox"/>	PL20L \$113	<input type="checkbox"/>	P600L \$113	<input type="checkbox"/>	PL30L \$113	<input type="checkbox"/>	PL35L \$113	<input type="checkbox"/>	PL40L \$102	N/A
	<input type="checkbox"/>	PL10V \$80	<input type="checkbox"/>	PL15V \$113	<input type="checkbox"/>	PL20V \$113	<input type="checkbox"/>	P600V \$113	<input type="checkbox"/>	PL30V \$113	<input type="checkbox"/>	PL35V \$113	<input type="checkbox"/>	PL40V \$102	

Lateral Facial Supports

MOUNTING HARDWARE					
	Unilateral	Bilateral	Infinity Mount	Swing-Away Mount	LM115

LATERAL FACIAL SUPPORT PARTS

**Note: If ordering an additional Lateral Facial Support, select both a Lateral Facial Support Pad Only from above and an Infinity Mount from below as well*


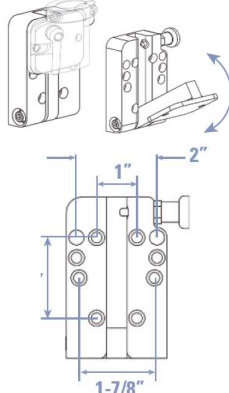
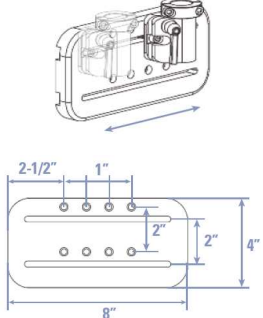
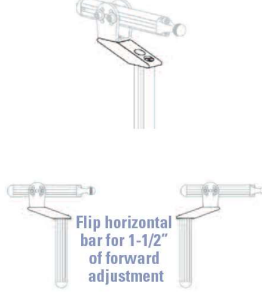
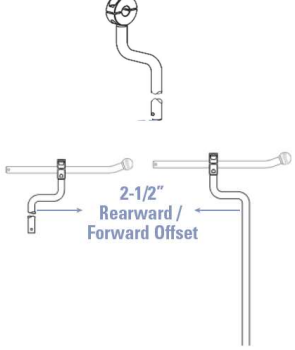
	Option #	Definition	Price
<input type="checkbox"/>	242161	Infinity Dual Mount Assembly*	\$220
<input type="checkbox"/>	LM1010	Lateral Facial Support*	\$142

ANTERIOR HEAD SUPPORT

			
DYNAMIC FOREHEAD STRAP	DFS²	STRAP CAP	STATIC FOREHEAD STRAP

ADULT	<input type="checkbox"/>	DFS10	\$326	<input type="checkbox"/>	DFSQ10	\$395	<input type="checkbox"/>	CAP10 (black)	\$451	<input type="checkbox"/>	HU10	\$356
PEDS	<input type="checkbox"/>	DFS30	\$326	<input type="checkbox"/>	DFSQ30	\$395	<input type="checkbox"/>	CAP30-R (red)	\$451			
	<input type="checkbox"/>						<input type="checkbox"/>	CAP30-B (blue)	\$451			

MOUNTING OPTIONS





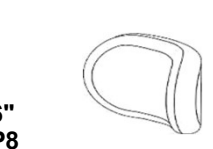
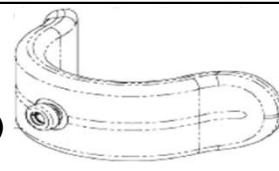
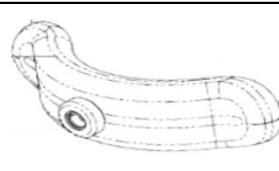
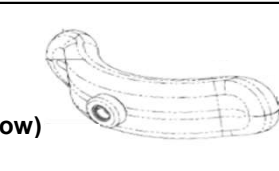
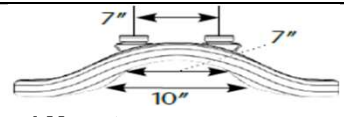
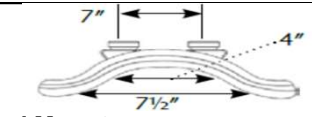
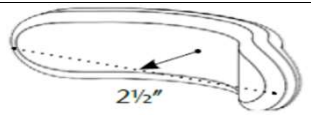
				
<p>FLEX INTERFACE BRACKET</p>	<p>UNIVERSAL SWING-AWAY MOUNT</p>	<p>SLIDE MOUNT</p>	<p>PRO OFF-SET MOUNTING SYSTEM</p>	<p>ONYX REARWARD OFF-SET VERTICAL ROD</p>

<input type="checkbox"/> M9450 (hard) \$209	<input type="checkbox"/> M5000 \$113	<input type="checkbox"/> M7010 \$107	<input type="checkbox"/> PRC7070 \$184	<input type="checkbox"/> OX6030 \$68
<input type="checkbox"/> M9451 (soft) \$209				

TOOLS

Option #	Definition	Price
<input type="checkbox"/> BOLT LUBE	Bolt Lube	\$9.00
<input type="checkbox"/> T2500	Tool Kit	\$7.00

Pad Styles

<p>PLUSH</p>	 <p>19" P4 19"w X 9"h</p>	 <p>14" P2 13-1/4"w X 7-1/2"h</p>	 <p>10" P1 9-1/4"w X 5"h</p>	 <p>8" P3 7-1/2"w X 5"h</p>	 <p>6" P8 6"w X 4"h</p>
<p>ADJUST -A- PLUSH</p>	 <p>Large (Std) AP2 8"-18"w X 5"h</p>	 <p>Medium AP3 7"-16"w X 4"h</p>	 <p>Small (Narrow) AP1 6"-14"w X 3"h</p>		
<p>SPECIALTY PLUSH</p>	 <p>19" Dual Mount P44 19"w X 9"h</p>	 <p>14" Dual Mount P22 13-1/4"w X 7-1/2"h</p>	 <p>12" Narrow P12 13-1/4"w X 5"h</p>		



Sunrise Medical (US) LLC

2842 Business Park Ave. · Fresno, CA 93727 · USA