

SEATING SYSTEMS PACKAGES (Seat & Back)				
<input type="checkbox"/>	PKG40XX	E2609/E2617	Li'l Kiddos Seating System Package	\$1,718
	A	SBP11XX	Solid Back Insert	\$337
	B	SSP11XX	Solid Seat Insert	\$326
	C	HDW1055	Std Seat To Back brkt	\$301
	D	HDW7819S	Fix Univrsl Clamp (Pr)	\$235
	E	HDW7820	Adj Univrsl Clamp (Pr)	\$301
	F	HDW7110T	10" Adjustment Rails (2)	\$46
	G	HDW7112T	12" Adjustment Rails (2)	\$46
	H	APB5115	Pelvic Belt 1", Padded	\$102
	I	HDW6305	Seat Tab (2)	2x \$12
Note: When WC20 is added appropriate transit approved hardware must be selected.				
<input type="checkbox"/>	PKG41XX	E2609/E2617	Li'l Kiddos Contoured Seating Package	\$2,356
	A	SBP11XX	Solid Back Insert	\$337
	B	SSP11XX	Solid Seat Insert	\$326
	C	HDW1055	Std Seat To Back brkt	\$301
	D	HDW7819S	Fix Univrsl Clamp(Pr)	\$235
	E	HDW7820	Adj Univrsl Clamp (Pr)	\$301
	F	HDW7110T	10" Adjustment Rails (2)	\$46
	G	HDW7112T	12" Adjustment Rails (2)	\$46
	H	MOD4600	Contour Seat	\$367
	I	MOD4153	Notches for Back Post	\$0
J	MOD5200	I Style Back	\$128	
K	MOD5530	Curved Foam Back	\$143	
L	APB5115	Pelvic Belt 1", Padded	\$102	
M	HDW6305	Seat Tab (2)	2x \$12	
Note: When WC20 is added appropriate transit approved hardware must be selected.				
<input type="checkbox"/>	PKG42XX	E2609/E2617	Li'l Kiddos Independent St & Back Pkg	\$1,929
	A	SBP11XX	Solid Back Insert	\$337
	B	SSP11XX	Solid Seat Insert	\$326
	C	HDW7819S	Fix Universal Clamp(4)	2x \$235
	D	HDW7820	Adj Universal Clamp (4)	2x \$301
	E	HDW7110T	10" Adjustment Rails (2)	\$46
	F	HDW7112T	12" Adjustment Rails (2)	\$46
	G	APB5115	Pelvic Belt 1", Padded	\$102
Note: When WC20 is added appropriate transit approved hardware must be selected.				
<input type="checkbox"/>	PKG43XX	E2609/E2617	Li'l Kiddos Contoured Indp St & Bck Pkg	\$2,567
	A	SBP11XX	Solid Back Insert	\$337
	B	SSP11XX	Solid Seat Insert	\$326
	C	HDW7819S	Fix Universal Clamp(4)	2x \$235
	D	HDW7820	Adj Universal Clamp (4)	2x \$301
	E	HDW7110T	10" Adjustment Rails (2)	\$46
	F	HDW7112T	12" Adjustment Rails (2)	\$46
	G	MOD4153	Notches for Back Post	\$0
	H	MOD5200	I Style Back	\$128
	I	MOD5530	Curved Foam Back	\$143
	J	APB5115	Pelvic Belt 1", Padded	\$102
K	MOD4600	Contour Seat	\$367	
Note: When WC20 is added appropriate transit approved hardware must be selected.				
SEAT PACKAGES				
<input type="checkbox"/>	SSK70XX	E2609	Li'l Kiddos Solid Seat Package	\$842
	A	SSP11XX	Solid Seat Insert	\$326
	B	HDW7819S	Fix Universal Clamp(4)	2x \$235
	C	HDW7110T	10" Adjustment Rails (2)	\$46
Note: When WC20 is added appropriate transit approved hardware must be selected.				
<input type="checkbox"/>	SSK71XX	E2609	Li'l Kiddos Contoured Seat Package	\$974
	A	SSP11XX	Solid Seat Insert	\$326
	B	HDW7819S	Fix Universal Clamp(4)	2x \$235
	C	HDW7110T	10" Adjustment Rails (2)	\$46
	D	MOD4600	Contour Seat	\$367
	E	MOD4153	Notches for Back Post	\$0
Note: When WC20 is added appropriate transit approved hardware must be selected.				
<input type="checkbox"/>	SSK77XX	E2609	Li'l Kiddos Seat & Hardware Package	\$715
	A	SSP11XX	Solid Seat Insert	\$326
	B	HDW7819S	Fix Univrsl Clamp (Pr)	\$235
	C	HDW6305	Seat Tab (2)	2x \$12
	D	HDW7110T	10" Adjustment Rails (2)	\$46
Note: When WC20 is added appropriate transit approved hardware must be selected.				
Note: Configured to be ordered with SBK77XX or SBK78XX				
<input type="checkbox"/>	SSK78XX	E2609	Li'l Kiddos Contoured Seat Package	\$998
	A	SSP11XX	Solid Seat Insert	\$326
	B	HDW7819S	Fix Univrsl Clamp (Pr)	\$235
	C	HDW7110T	10" Adjustment Rails (2)	\$46
	D	HDW6305	Seat Tab (2)	2x \$12
	E	MOD4600	Contour Seat	\$367
F	MOD4153	Notches for Back Post	\$0	
Note: When WC20 is added appropriate transit approved hardware must be selected.				
Note: Configured to be ordered with SBK77XX or SBK78XX				
BACK PACKAGES				
<input type="checkbox"/>	SBK70XX	E2617	Universal Mount Back Package	\$985
	A	SBP11XX	Solid Back Insert	\$337
	B	HDW7820	Adj Universal Clamp (4)	2x \$301
	C	HDW7112T	12" Adjustment Rails (2)	\$46
Note: When WC20 is added appropriate transit approved hardware must be selected.				
<input type="checkbox"/>	SBK71XX	E2617	Drop Hook & Fixed Holds(Between)	\$1,256
	A	SBP11XX	Solid Back Insert	\$337
	B	HDW7820	Adj Universal Clamp (4)	2x \$301
	C	HDW7112T	12" Adjustment Rails (2)	\$46
	D	MOD5200	I Style Back	\$128
	E	MOD5530	Curved Foam Back	\$143
Note: When WC20 is added appropriate transit approved hardware must be selected.				
<input type="checkbox"/>	SBK77XX	E2617	Adj "J" Hook & Fixed/Rotate Hold	\$985
	A	SBP11XX	Solid Back Insert	\$337
	B	HDW7820	Adj Univrsl Clamp (Pr)	\$301
	C	HDW7112T	12" Adjustment Rails (2)	\$46
	D	HDW1055	Std Seat To Back brkt	\$301
Note: Configured to be ordered with SSK77XX or SSK78XX				
Note: When WC20 is added appropriate transit approved hardware must be selected.				
<input type="checkbox"/>	SBK78XX	E2617	Mount Hook & Fixed Hold (Forward)	\$1,256
	A	SBP11XX	Solid Back Insert	\$337
	B	HDW7820	Adj Univrsl Clamp (Pr)	\$301
	C	HDW7112T	12" Adjustment Rails (2)	\$46
	D	HDW1055	Std Seat To Back brkt	\$301
	E	MOD5200	I Style Back	\$128
	F	MOD5530	Curved Foam Back	\$143
Note: Configured to be ordered with SSK77XX or SSK78XX				
Note: When WC20 is added appropriate transit approved hardware must be selected.				
SEATING SYSTEM TRANSIT OPTION				
<input type="checkbox"/>	MODWC20		TRANSIT OPTION HARDWARE	\$230

SEAT MODIFICATIONS

SEAT MODIFICATIONS – STRUCTURAL

<input type="checkbox"/>	MOD4075	Two Piece Cushion & Base Seat	\$168
<input type="checkbox"/>	MOD4150	Notches for Back Posts 2" X 2"	N/C
<input type="checkbox"/>	MOD4153	Notches for Back Posts 3" deep	N/C
<input type="checkbox"/>	MOD4155	Notches Front Hangers (Wood Only)	N/C
<input type="checkbox"/>	MOD4159	Notches Back Post, Seat, Cus	\$41
<input type="checkbox"/>	MOD4170	Sub 1/2" Plastitech Seat	\$41
<input type="checkbox"/>	MOD4175	Mid Seat Cutout for X-Brace	\$112
<input type="checkbox"/>	MOD4200L	Offset Seat, Long on Left side	\$112
<input type="checkbox"/>	MOD4200R	Offset Seat, Long on Right side	\$112
<input type="checkbox"/>	MOD4300	T-style Seat	\$122
<input type="checkbox"/>	MOD4400	Anti-Thrust Seat	\$184
<input type="checkbox"/>	MOD4450	Quick-Fit Anti-Thrust Seat	\$434
<input type="checkbox"/>	MOD4460	Wedge Seat	\$189
<input type="checkbox"/>	MOD4500	Cubed Seat (2"x2"x2" HR foam)	\$434
<input type="checkbox"/>	MOD4525	Personalized Cubes, Seat	\$505
<input type="checkbox"/>	MOD4600	E2294 Contour Seat	\$367
<input type="checkbox"/>	MOD4605	Leg Trough Cut Into Seat	\$143
<input type="checkbox"/>	MOD4611	Contoured Mod w/Pel Well Mild	\$367
<input type="checkbox"/>	MOD4612	Contoured Mod w/Pel Well Med	\$367
<input type="checkbox"/>	MOD4613	Contoured Mod w/Pel Well Aggr	\$367
<input type="checkbox"/>	MOD4614	Contoured Mod w/Pel Well Cust	\$367
<input type="checkbox"/>	MOD4630	Quick-Fit Contoured Seat	\$561
<input type="checkbox"/>	MOD4640L	Lateral Reinforcement, Seat, Left	\$112
<input type="checkbox"/>	MOD4640R	Lateral Reinforcement, Seat, Right	\$112
<input type="checkbox"/>	MOD4650	Substitute ABS for Multi-Ply in Seat	\$153
<input type="checkbox"/>	MOD4655L	Belt Strap Notches, Seat, Left	\$24
<input type="checkbox"/>	MOD4655R	Belt Strap Notches, Seat, Right	\$24
<input type="checkbox"/>	MOD4700	Built-in Medial Thigh Support	\$219
<input type="checkbox"/>	MOD4725	Contour Lateral Adductor	\$219
<input type="checkbox"/>	MOD4800	Seat Rail Foam Overlay	\$135
<input type="checkbox"/>	MOD4825	Seat - Front Edge Bevel Undercut	\$135
<input type="checkbox"/>	MOD4850L	Pelvic Obliquity Addition (Up to 1") Left	\$153
<input type="checkbox"/>	MOD4850R	Pelvic Obliquity Addition (Up to 1") Right	\$153
<input type="checkbox"/>	MOD4900	Adjustable Split Seat	\$505
<input type="checkbox"/>	MOD5000	I-Style Seat	\$122
<input type="checkbox"/>	MOD5700	Substitute 3/4" Multi-Ply for 1/2"	\$73
<input type="checkbox"/>	MOD6827	No Seat Cushion	NC
<input type="checkbox"/>	MOD6828	Add Folding Hinge Bracket	\$135
<input type="checkbox"/>	MOD6860L	SEAT MOUNT L brkt, TRANS, L	\$31
<input type="checkbox"/>	MOD6860R	SEAT MOUNT L brkt, TRANS, R	\$31
<input type="checkbox"/>	MOD6861L	SEAT MOUNT L brkt, TRANS, SH/L	\$31
<input type="checkbox"/>	MOD6861R	SEAT MOUNT L brkt, TRANS, SH/R	\$31
<input type="checkbox"/>	MOD8000	Omit T-Nuts	N/C

SEAT MODIFICATIONS - UPHOLSTERY

<input type="checkbox"/>	MOD4125	Attaching Strips, Bottom, Loop	\$41
<input type="checkbox"/>	MOD4125H	Attaching Strips, Bottom, Hook	\$41
<input type="checkbox"/>	MOD4126	Attaching Strips, Top, Hook	\$41
<input type="checkbox"/>	MOD4130	Non-Skid Added to Bottom	\$51
<input type="checkbox"/>	MOD4131	Non-Skid Added to Top	\$51
<input type="checkbox"/>	MOD5120	Add Velcro Closure, Made To Order	\$153
<input type="checkbox"/>	MOD5130	Add Synthetic Sheepskin To Cover, Std	\$184
<input type="checkbox"/>	MOD5150	Incontinent Film Covering	\$102
<input type="checkbox"/>	MOD5160	Rem Cover Zipper Bottom Seat	\$112
<input type="checkbox"/>	MOD5191	Rem Zippered Seat Face Cover	\$143
<input type="checkbox"/>	MOD5192	Add Zip Seat Top Face Only	\$135
<input type="checkbox"/>	MOD5600	Sewn Positioning Strap Slot (Pair)	\$112

SEAT MODIFICATIONS - FOAM

<input type="checkbox"/>	MOD0050	Omit Foam in Seat	N/C
HR FOAM			
<input type="checkbox"/>	MOD1005	1/2" HR Foam in Seat	N/C
<input type="checkbox"/>	MOD1100	1" HR Foam in Seat	N/C
<input type="checkbox"/>	MOD1150	1-1/2" HR Foam in Seat	N/C
<input type="checkbox"/>	MOD1200	2" HR Foam in Seat	\$36
<input type="checkbox"/>	MOD1300	3" HR Foam in Seat	\$51
PUDGEE FOAM			
<input type="checkbox"/>	MOD1405	Additional 1/2" Pudgee Foam in Seat	\$184
<input type="checkbox"/>	MOD1400	1" Pudgee Foam in Seat	\$275
<input type="checkbox"/>	MOD1495	1" Pudgee Foam Partial Insert	\$204
T FOAM			
<input type="checkbox"/>	MOD1605	1/2" T-Foam in Seat	\$61
<input type="checkbox"/>	MOD1600	1" T-Foam in Seat	\$107
<input type="checkbox"/>	MOD1615	1-1/2" T-Foam in Seat	\$122
<input type="checkbox"/>	MOD1700	2" T-Foam in Seat	\$153
SUNMATE FOAM			
<input type="checkbox"/>	MOD1805	1/2" SunMate Foam in Seat	\$46
<input type="checkbox"/>	MOD1800	1" SunMate Foam in Seat	\$87
<input type="checkbox"/>	MOD1815	1-1/2" SunMate Foam in Seat	\$112
<input type="checkbox"/>	MOD1900	2" SunMate Foam in Seat	\$128
<input type="checkbox"/>	MOD1816	1/2" SSM over 1" MSM Foam In seat	\$112
<input type="checkbox"/>	MOD1817	1" SSM over 1/2" MSM Foam in Seat	\$112
JAY FLOW FLUID			
<input type="checkbox"/>	MOD1505	Pressure Relief Pads/Ischial	\$265
GEL			
<input type="checkbox"/>	MOD1500	5/8" Gel over HR Foam in Seat	\$235
<input type="checkbox"/>	MOD1525	1/2" Cubed Gel over HR Foam in Seat	\$275
<input type="checkbox"/>	MOD1595	5/8" Gel Partial Insert	\$186
STIMULITE HONEYCOMB			
<input type="checkbox"/>	MOD1185	1/2" Stimulite Honeycomb, Seat	\$219
<input type="checkbox"/>	MOD1180	1" Stimulite Honeycomb, Seat	\$275
<input type="checkbox"/>	MOD1195	Partial Stimulite Honeycomb, Insert	\$219

ADDITIONAL SEAT COVERS

<input type="checkbox"/>	COV4100	Additional Zippered Cover, Flat, Std	\$135
<input type="checkbox"/>	COV4109	Additional Zippered Cover, Made To Order	\$184
<input type="checkbox"/>	COV4110	Additional Slip Over Cover, Flat, Std	\$135
<input type="checkbox"/>	COV4119	Additional Slip Over Cover, Made To Order	\$184
<input type="checkbox"/>	COV99XX	Additional Zippered Cover Foam Form	\$505

BACK MODIFICATIONS

BACK MODIFICATIONS – STRUCTURAL

<input type="checkbox"/>	MOD1045	Adj Offset Hinge, Wide in Pkg	\$87
<input type="checkbox"/>	MOD1055	Adj Offset Hinge, Ped in Pkg	\$87
<input type="checkbox"/>	MOD5075	2 Piece Cush & Base Back (1/2" Wood)	\$173
<input type="checkbox"/>	MOD5125	Add Hook/Loop Closure Back	\$148
<input type="checkbox"/>	MOD5135	Add Faux Sheepskin To Back	\$184
<input type="checkbox"/>	MOD5170	Sub 1/2" Plastitech Back	\$41
<input type="checkbox"/>	MOD5180	Foam Form Back	\$505
<input type="checkbox"/>	MOD5194	Cen & Top Edge Zip Hidn Back	NC
<input type="checkbox"/>	MOD5200	I-Style Back	\$128
<input type="checkbox"/>	MOD5300	T-Style Back	\$128
<input type="checkbox"/>	MOD5425	Half-Round Lumbar Roll - Internal	\$179
<input type="checkbox"/>	MOD5426	Half-Round Lumbar Roll w/ Strap	\$179
<input type="checkbox"/>	MOD5450	Adj Angle Bi-Angular Back w/ 2 brkts	\$372
<input type="checkbox"/>	MOD5451	Adj Angle Bi-Angular Back w/ 1 brkt	\$245
<input type="checkbox"/>	MOD5452	Adj Bi-Ang Back 2 Piece cover	\$505
<input type="checkbox"/>	MOD5455	Sub 1/2" Plastitech Base & Cush, Back	\$66
<input type="checkbox"/>	MOD5460	Adjustable Lumbar Back 5.5" Adj Range	\$403
<input type="checkbox"/>	MOD5461	Adjustable Lumbar Back 3" Adj Range	\$403
<input type="checkbox"/>	MOD5462	Adjustable Lumbar Back 7.5" Adj Range	\$403
<input type="checkbox"/>	MOD5475	Revers Bi-Angular Back - Fixed	\$219
<input type="checkbox"/>	MOD5500	Curved Back	\$179
<input type="checkbox"/>	MOD5501	Curved Back, w/ 2 hinged L brkts	\$219
<input type="checkbox"/>	MOD5502	Curved Back, w/ 4 Hinged L brkts	\$240
<input type="checkbox"/>	MOD5510	Curved Lateral Thor Pad Mod	\$20
<input type="checkbox"/>	MOD5525	Rear Upright Foam Overlay	\$133
<input type="checkbox"/>	MOD5530	Curved Foam Addition to Flat Back	\$143
<input type="checkbox"/>	MOD5550	Cubed Back (2"x2"x2" HR foam)	\$413
<input type="checkbox"/>	MOD5575	Personalized Cubes, Back	\$505
<input type="checkbox"/>	MOD5600	Sewn Anterior Position Strap Slots (PR)	\$112
<input type="checkbox"/>	MOD5605	T-Nut For Strap Pos Hdw	NC
<input type="checkbox"/>	MOD5610	Shoulder Strap Mnt Through Back	\$148
<input type="checkbox"/>	MOD5620	Attaching Tie W/Velcro Back	\$25
<input type="checkbox"/>	MOD5621	Attaching Tie W/ Snaps Back	\$24
<input type="checkbox"/>	MOD5622	Attaching Ties Loops Back	\$24
<input type="checkbox"/>	MOD5650	Substitute ABS (1/2") for Multi-Ply in Bck	\$184
<input type="checkbox"/>	MOD5700	Replace 3/4" Multi-Ply with 1/2"	\$71
<input type="checkbox"/>	MOD5705	Replace 1/2" Multi-Ply with 3/4"	\$71
<input type="checkbox"/>	MOD5800	Contour Back	\$311
<input type="checkbox"/>	MOD5801	Quick-Fit Contour/Bi-Angular Back	\$617
<input type="checkbox"/>	MOD5802	Quick-Fit Contour Back Only	\$505
<input type="checkbox"/>	MOD5804	Contour Fixed Lumbar Wedge	\$199
<input type="checkbox"/>	MOD5810	Contour Back Mod Euro Style	\$143
<input type="checkbox"/>	MOD5835	Harn's Strap Notches, Top Edge of Back	\$102
<input type="checkbox"/>	MOD5849	ABS back with side walls Back	\$281
<input type="checkbox"/>	MOD5850	Scapular Contour Cutout, Back	\$189
<input type="checkbox"/>	MOD5855	Top Edge Angle Cut, Back	\$112
<input type="checkbox"/>	MOD5860	Large Radius Corners For Back	NC
<input type="checkbox"/>	MOD8100	Omit T-Nuts, Back	N/C

BACK MODIFICATIONS – UPHOLSTERY

<input type="checkbox"/>	MOD5115	Add Faux Sheepskin to Back Cus	\$224
<input type="checkbox"/>	MOD5125	Add Velcro Closure, Made To Order	\$148
<input type="checkbox"/>	MOD5127	Privacy Flap 12" Long	\$112
<input type="checkbox"/>	MOD5165	Removable top Cover Zipper at Center	\$153
<input type="checkbox"/>	MOD5610	Shoulder Strap Mounting Grommets	\$148
<input type="checkbox"/>	MOD5620	Attaching Ties for Back, Velcro	\$25
<input type="checkbox"/>	MOD5621	Attaching Ties for Back, Snaps	\$24
<input type="checkbox"/>	MOD5900	Monogram Back, Block	N/C
<input type="checkbox"/>	MOD5901	Monogram Back, Script	N/C
<input type="checkbox"/>	MOD5902	Monogram Stock Design	N/C
<input type="checkbox"/>	MOD5909	Monogram Back, Personalized	N/C

BACK MODIFICATIONS – FOAM

<input type="checkbox"/>	MOD0055	Omit Foam in Back	N/C
HR FOAM			
<input type="checkbox"/>	MOD2005	1/2" HR Foam in Back	NC
<input type="checkbox"/>	MOD2100	1" HR Foam in Back	NC
<input type="checkbox"/>	MOD2150	1-1/2" HR Foam in Back	NC
<input type="checkbox"/>	MOD2200	2" HR Foam in Back	\$36
<input type="checkbox"/>	MOD2300	3" HR Foam in Back	\$36
PUDGEE FOAM			
<input type="checkbox"/>	MOD2400	1" Pudgee Foam in Back	\$260
<input type="checkbox"/>	MOD2405	Additional 1/2" Pudgee Foam in Back	\$184
<input type="checkbox"/>	MOD2495	1" Partial Pudgee Foam in Back	\$204
T FOAM			
<input type="checkbox"/>	MOD2605	1/2" T-Foam in Back	\$61
<input type="checkbox"/>	MOD2600	1" T-Foam in Back	\$107
<input type="checkbox"/>	MOD2615	1-1/2" T-Foam in Back	\$122
<input type="checkbox"/>	MOD2700	2" T-Foam in Back	\$148
SUNMATE FOAM			
<input type="checkbox"/>	MOD2805	1/2" SunMate in Back	\$46
<input type="checkbox"/>	MOD2800	1" SunMate Foam in Back	\$97
<input type="checkbox"/>	MOD2815	1-1/2" SunMate in Back	\$107
<input type="checkbox"/>	MOD2900	2" SunMate Foam in Back	\$133
<input type="checkbox"/>	MOD2801	1/2" SSM OVER 1/2" MSM, BACK	\$97
<input type="checkbox"/>	MOD2804	1" SSM OVER 1/2" HR FOAM, BACK	\$97
JAY FLOW FLUID			
<input type="checkbox"/>	MOD2505	Spinal Pressure Relief Pad	\$377
GEL			
<input type="checkbox"/>	MOD2160	Elasto-Gel Addition Back	\$367
<input type="checkbox"/>	MOD2500	5/8" Gel & HR Foam in Back	\$245
<input type="checkbox"/>	MOD2595	5/8" Gel Partial & HR Foam in Back	\$204
STIMILITE HONEYCOMB			
<input type="checkbox"/>	MOD2185	1/2" Stimulite in Back	\$204
<input type="checkbox"/>	MOD2180	1" Stimulite in Back	\$294
<input type="checkbox"/>	MOD2195	Partial Stimulite in Back	\$194
FOAM-IN-PLACE			
<input type="checkbox"/>	MOD5180	Foam-in-Place BACK Soft	\$505

BACK MODIFICATIONS - INTERNAL

<input type="checkbox"/>	FTK10XX	E0956	Thrcic Support Kit Foam Form 5"Hx5"D	\$337
<input type="checkbox"/>	FTK11XX	E0956	Thrcic Support Kit Foam Form 7"Hx5"D	\$403
<input type="checkbox"/>	FTK12XX	E0956	Thrcic Support Kit Foam Form 9"Hx6"D	\$306
<input type="checkbox"/>	FTK13XX	E0956	Thrcic Support Kit Foam Form 11"Hx7"D	\$337
<input type="checkbox"/>	FTK19XX		Thrcic Support Kit, Foam Form, Made To Order	\$428

ADDITIONAL BACK COVERS

<input type="checkbox"/>	COV5100	Additional Zippered Cover, Flat, Std	\$138
<input type="checkbox"/>	COV5109	Additional Zippered Cover, Made To Order	\$194
<input type="checkbox"/>	COV5110	Additional Slip Over Cover, Flat, Std	\$143
<input type="checkbox"/>	COV5119	Additional Slip Over Cover, Made To Order	\$199
<input type="checkbox"/>	COV99XX	Add Zipper Cover Foam-in-place	\$505

LATERAL THORACIC SUPPORTS			
LATERAL THORACIC SUPPORT PACKAGES - Each		LATERAL THORACIC SUPPORT MODIFICATIONS	
<input type="checkbox"/>	LTK72XX	E0956	Std profile bracket - Flat Pad - Each \$138
	<input type="checkbox"/> Left	<input type="checkbox"/> Right	<input type="checkbox"/> Pair
<input type="checkbox"/>	LTK73XX	E0956	Std profile bracket - Curved Pad - Each \$194
	<input type="checkbox"/> Left	<input type="checkbox"/> Right	<input type="checkbox"/> Pair
<input type="checkbox"/>	LTK74XX	E0956	Fixed Modular brkt - Flat Pad - Each \$275
	<input type="checkbox"/> Left	<input type="checkbox"/> Right	<input type="checkbox"/> Pair
<input type="checkbox"/>	LTK75XX	E0956 E1028	E-Z Access SA brkt - Flat Pad - Each \$367
	<input type="checkbox"/> Left	<input type="checkbox"/> Right	<input type="checkbox"/> Pair
<input type="checkbox"/>	LTK76XX	E0956 E1028	Modular brkt Quick Adj - Flat Pad - Each \$326
	<input type="checkbox"/> Left	<input type="checkbox"/> Right	<input type="checkbox"/> Pair
<input type="checkbox"/>	LTK77XX	E0956 E1028	E-Z Access SA brkt Q Adj - Flat Pad - EA \$418
	<input type="checkbox"/> Left	<input type="checkbox"/> Right	<input type="checkbox"/> Pair
<input type="checkbox"/>	LTK78XX	E0956 E1028	E-Z Access SA brkt - Curved Pad - Each \$367
	<input type="checkbox"/> Left	<input type="checkbox"/> Right	<input type="checkbox"/> Pair
<input type="checkbox"/>	MOD2550		1/4" Gel in Thoracic Support \$51
<input type="checkbox"/>	MOD2650		1/2" T-Foam in Thoracic Support \$41
<input type="checkbox"/>	MOD2750		1/2" Pudgee in Thoracic Support \$51
<input type="checkbox"/>	MOD2850		1/2" SunMate in Thoracic Support \$19
<input type="checkbox"/>	MOD2861		1" SunMate in Thoracic Support \$19
<input type="checkbox"/>	MOD2950		Taper Front Edge of Thoracic Support \$19
<input type="checkbox"/>	MOD3000		Replace Multi-Ply with ABS \$12
<input type="checkbox"/>	MOD3001		Flat Metal Base up to 5x6" \$25
<input type="checkbox"/>	MOD3011		Curved Metal Base up to 5X6" \$25
<input type="checkbox"/>	MOD3100		Add Waterfall Foam to Thoracic Support \$51
<input type="checkbox"/>	MOD3150		Contour-Fit Pad \$66
<input type="checkbox"/>	MOD3175		Hinged Pad \$168
<input type="checkbox"/>	MOD5510		Curved Lateral Pad \$20
<input type="checkbox"/>	MOD6803		Curved Back Bracket NC
LATERAL THORACIC ADDITIONAL HARDWARE AND COVERS			
<input type="checkbox"/>	HDW2025		1/4" Bracket Spacer \$20
<input type="checkbox"/>	HDW2050		1/2" Bracket Spacer \$20
<input type="checkbox"/>	HDW2521		1" Height Adapter Plate \$33
<input type="checkbox"/>	HDW2522		2" Height Adapter Plate \$33
<input type="checkbox"/>	HDW2523		3" Height Adapter Plate \$33
<input type="checkbox"/>	COV2656		Lateral Bracket Fabric Cover (Ped) \$34
<input type="checkbox"/>	COV2666		Lateral Bracket Fabric Cover (Short) \$34
<input type="checkbox"/>	COV2657		Lateral Bracket Fabric Cover (1" Offset) \$34
<input type="checkbox"/>	COV2667		Lateral Bracket Fabric Cover (2" Offset) \$34

LATERAL PELVIC/THIGH SUPPORTS			
LATERAL PELVIC/THIGH SUPPORT PACKAGES - Each - Pad up to		LATERAL PELVIC/THIGH SUPPORT MODIFICATIONS	
<i>Note: Pads can be built up to 5" High and 18" Long</i>			
<input type="checkbox"/>	LPK72XX	E0956	Standard profile brkt w/ Pad - Each \$148
	<input type="checkbox"/> Left	<input type="checkbox"/> Right	<input type="checkbox"/> Pair
<input type="checkbox"/>	LPK74XX	E0956	Modular brkt w/ Pad - Each \$235
	<input type="checkbox"/> Left	<input type="checkbox"/> Right	<input type="checkbox"/> Pair
<input type="checkbox"/>	LPK75XX	E0956	20° Adj brkt w/ Pad - Each \$281
	<input type="checkbox"/> Left	<input type="checkbox"/> Right	<input type="checkbox"/> Pair
<input type="checkbox"/>	LPK76XX	E0956	High Profile brkt w/ Pad - Each \$160
	<input type="checkbox"/> Left	<input type="checkbox"/> Right	<input type="checkbox"/> Pair
<input type="checkbox"/>	LPK77XX	E0956 E1028	Removable brkt w/ Pad - Each \$321
	<input type="checkbox"/> Left	<input type="checkbox"/> Right	<input type="checkbox"/> Pair
<input type="checkbox"/>	LPK78XX	E0956 E1028	Removable 20° Adj brkt w/ Pad - Each \$367
	<input type="checkbox"/> Left	<input type="checkbox"/> Right	<input type="checkbox"/> Pair
<input type="checkbox"/>	MOD3025		D Forward Pad Shape NC
<input type="checkbox"/>	MOD3050		Replace Multi-Ply with ABS \$12
<input type="checkbox"/>	MOD3055		Contoured Pelvic Supports (Anti-Thrust) \$56
<input type="checkbox"/>	MOD3500		Waterfall Foam Pelvic Support \$46
<input type="checkbox"/>	MOD3550		1/4" Gel in Pelvic Support \$51
<input type="checkbox"/>	MOD3551		1/4" Gel in Long Pelvic Support \$61
<input type="checkbox"/>	MOD3650		1/2" T-Foam in Pelvic Support \$41
<input type="checkbox"/>	MOD3750		1/2" Pudgee in Pelvic Support \$56
<input type="checkbox"/>	MOD3850		1/2" SunMate in Pelvic Support \$41
<input type="checkbox"/>	MOD3861		1" SunMate in Pelvic Support \$19
<input type="checkbox"/>	MOD3858		Distal Edge Contour \$102
<input type="checkbox"/>	MOD3870		Mount LPK on Flat Back Surface NC
<input type="checkbox"/>	MOD3899		Cus Foam Mod Pelvic Thigh Sup \$61
<input type="checkbox"/>	MOD4750L		Long, Curved Pad, Pelvic/Thigh left \$20
<input type="checkbox"/>	MOD4750R		Long, Curved Pad, Pelvic/Thigh, right \$20
ADDITIONAL DISTAL HARDWARE			
<input type="checkbox"/>	HDW2527		2" Distal Ext Adapter Bar \$36
<input type="checkbox"/>	HDW2528		3" Distal Ext Adapter Bar \$36

MEDIAL THIGH SUPPORTS			
MEDIAL THIGH SUPPORT PACKAGES		MEDIAL THIGH SUPPORT MODIFICATIONS	
<input type="checkbox"/>	MTK31XX	E0957 E1028	Pull-Away brkt, 1.25" to 2.75" adj \$505
<input type="checkbox"/>	MTK34XX	E0957 E1028	Pull-Away brkt, 2.75" to 4.25" adj \$505
<input type="checkbox"/>	MOD3855		1/2" SunMate Foam in Medial Support STD
<input type="checkbox"/>	MOD3856		1" SunMate Foam in Medial Support \$49
<input type="checkbox"/>	MOD3555		1/4" Gel in Medial Support \$133
<input type="checkbox"/>	MOD3655		1/2" T-Foam in Medial Support \$41
<input type="checkbox"/>	MOD3755		1/2" Pudgee Foam in Medial Support \$133

PELVIC POSITIONING BELTS

ANTERIOR PELVIC POSITIONING BELTS – SINGLE PULL				
<input type="checkbox"/>	APB6212	E0978	1.5" Side Release buckle, 7.5" Pads	\$57
<input type="checkbox"/>	APB6213	E0978	1.5" Side Release buckle, 9.5" Pads	\$57
<input type="checkbox"/>	APB6210	E0978	1.5" Side Release buckle, Non-Padded	\$36
<input type="checkbox"/>	APB7212	E0978	1.5" Push-Button buckle, Small Pads	\$88
<input type="checkbox"/>	APB7213	E0978	1.5" Push-Button buckle, Med Pads	\$88
<input type="checkbox"/>	APB7210	E0978	1.5" Push-Button buckle, Non-Padded	\$42
<input type="checkbox"/>	APB5115	E0978	Li'l Kiddos 1" Push Button, 4.5" Pads	\$102
<input type="checkbox"/>	APB5116	E0978	Li'l Kiddos 1" Push Button, 5.5" Pads	\$92
<input type="checkbox"/>	APB5117	E0978	Li'l Kiddos 1" Push Button, 7.5" Pads	\$92
<input type="checkbox"/>	APB5110	E0978	Li'l Kiddos 1" Push Button, No-Pad	\$42
<input type="checkbox"/>	APB6111	E0978	Li'l Kiddos 1" Release buckle 5.5" Pads	\$57
<input type="checkbox"/>	APB6112	E0978	Li'l Kiddos 1" Release buckle 7.5" Pads	\$57
<input type="checkbox"/>	APB6110	E0978	Li'l Kiddos 1" Release buckle, No-Pad	\$36

ANTERIOR PELVIC POSITIONING BELTS – DUAL PULL				
<input type="checkbox"/>	APB6222	E0978	1.5" Side Release buckle, Small Pads	\$57
<input type="checkbox"/>	APB6223	E0978	1.5" Side Release buckle, Med Pads	\$57
<input type="checkbox"/>	APB7221	E0978	1.5" Push-Button buckle, 5.5" Pads	\$88
<input type="checkbox"/>	APB7222	E0978	1.5" Push-Button buckle, 7.5" Pads	\$88
<input type="checkbox"/>	APB7223	E0978	1.5" Push-Button buckle, 9.5" Pads	\$88
<input type="checkbox"/>	APB5125	E0978	Li'l Kiddos 1" Push Button, 4.5" Pads	\$92
<input type="checkbox"/>	APB5126	E0978	Li'l Kiddos 1" Push Button, 5.5" Pads	\$92
<input type="checkbox"/>	APB5127	E0978	Li'l Kiddos 1" Push Button, 7.5" Pads	\$92
<input type="checkbox"/>	APB6121	E0978	Li'l Kiddos 1" Release buckle, 5.5" Pads	\$57
<input type="checkbox"/>	APB6122	E0978	Li'l Kiddos 1" Release buckle, 7.5" Pads	\$57

ANTERIOR PELVIC POSITIONING BELTS – 4-POINT V-Contour				
<input type="checkbox"/>	APB3716	E0978	1" Push-Button buckle	\$172
<input type="checkbox"/>	APB3727	E0978	1.5" Push-Button buckle	\$172
<input type="checkbox"/>	APB3616	E0978	1" Release buckle	\$172
<input type="checkbox"/>	APB3627	E0978	1.5" Release buckle	\$172

ANTERIOR PELVIC POSITIONING BELTS – MEDIAL 4-POINT				
<input type="checkbox"/>	APB7242	E0978	1.5" Push-Button buckle, 4.5" Pads	\$113
<input type="checkbox"/>	APB7243	E0978	1.5" Push-Button buckle, 5.5" Pads	\$113
<input type="checkbox"/>	APB7244	E0978	1.5" Push-Button buckle, 6.5" Pads	\$113
<input type="checkbox"/>	APB5145	E0978	Li'l Kiddos 1" Push-button 3.5" Pads	\$113
<input type="checkbox"/>	APB5146	E0978	Li'l Kiddos 1" Push-button 4.5" Pads	\$113

ANTERIOR TRUNK SUPPORTS

ANTERIOR TRUNK SUPPORTS – CLASSIC STYLE				
<input type="checkbox"/>	ATS8100	E0960	Dynamic, X-Small	\$155
<input type="checkbox"/>	ATS8101	E0960	Dynamic, Small	\$155
<input type="checkbox"/>	ATS8102	E0960	Dynamic, Medium	\$155
<input type="checkbox"/>	ATS8300	E0960	Structured, X-Small	\$155
<input type="checkbox"/>	ATS8301	E0960	Structured, Small	\$155
<input type="checkbox"/>	ATS8302	E0960	Structured, Medium	\$155

ANTERIOR TRUNK SUPPORTS – CONTOUR STYLE				
<input type="checkbox"/>	ATS9100	E0960	Dynamic, X-Small	\$155
<input type="checkbox"/>	ATS9101	E0960	Dynamic, Small	\$155
<input type="checkbox"/>	ATS9102	E0960	Dynamic, Medium	\$155
<input type="checkbox"/>	ATS9107	E0960	Dynamic, Early Intervention	\$155
<input type="checkbox"/>	ATS9300	E0960	Structured, X-Small	\$155
<input type="checkbox"/>	ATS9301	E0960	Structured, Small	\$155
<input type="checkbox"/>	ATS9302	E0960	Structured, Medium	\$155

ANTERIOR TRUNK SUPPORTS – CENTER OPENING STYLE				
<input type="checkbox"/>	ATS8807	E0960	Dynamic, Early Int - Side Rel Buckle	\$155
<input type="checkbox"/>	ATS8800	E0960	Dynamic, X-Small - Side Rel Buckle	\$155
<input type="checkbox"/>	ATS8801	E0960	Dynamic, Small - Side Rel Buckle	\$155
<input type="checkbox"/>	ATS8802	E0960	Dynamic, Medium - Side Rel Buckle	\$155
<input type="checkbox"/>	ATS8809	E0960	Dynamic, Made To Order - Side Rel Buckle	\$260
<input type="checkbox"/>	ATS9407	E0960	Structured, Early Int - Side Rel Buckle	\$155
<input type="checkbox"/>	ATS9400	E0960	Structured, X-Small - Side Rel Buckle	\$155
<input type="checkbox"/>	ATS9401	E0960	Structured, Small - Side Rel Buckle	\$155
<input type="checkbox"/>	ATS9402	E0960	Structured, Medium - Side Rel Buckle	\$155
<input type="checkbox"/>	ATS9409	E0960	Structured, Made To Order - Side Rel Buckle	\$260
<input type="checkbox"/>	ATS8701	E0960	Dynamic, Small - Zipper	\$155
<input type="checkbox"/>	ATS8702	E0960	Dynamic, Medium - Zipper	\$155
<input type="checkbox"/>	ATS8709	E0960	Dynamic, Made To Order - Zipper	\$260

ANTERIOR TRUNK SUPPORTS – Y STYLE				
<input type="checkbox"/>	ATS9167	E0960	Dynamic, Early Intervention	\$139
<input type="checkbox"/>	ATS9161	E0960	Dynamic, Small	\$139
<input type="checkbox"/>	ATS9162	E0960	Dynamic, Medium	\$139
<input type="checkbox"/>	ATS9169	E0960	Dynamic, Made To Order	\$260
<input type="checkbox"/>	ATS9367	E0960	Structured, Early Intervention	\$139
<input type="checkbox"/>	ATS9361	E0960	Structured, Small	\$139
<input type="checkbox"/>	ATS9362	E0960	Structured, Medium	\$139
<input type="checkbox"/>	ATS9369	E0960	Structured, Made To Order	\$260

ANTERIOR TRUNK SUPPORTS – TRUNK STRAP				
<input type="checkbox"/>	ATS4050	E0960	X-Small	\$144
<input type="checkbox"/>	ATS4000	E0960	Small	\$144
<input type="checkbox"/>	ATS4100	E0960	Medium	\$144
<input type="checkbox"/>	ATS4900	E0960	Made To Order	\$260

ANTERIOR TRUNK SUPPORTS – BACK PACK STYLE				
<input type="checkbox"/>	ATS9601	E0960	Dynamic, 12"	\$139
<input type="checkbox"/>	ATS9603	E0960	Dynamic, 18"	\$139
<input type="checkbox"/>	ATS9609	E0960	Dynamic, Made To Order	\$260
<input type="checkbox"/>	ATS9701	E0960	Structured, 12"	\$139
<input type="checkbox"/>	ATS9703	E0960	Structured, 18"	\$139
<input type="checkbox"/>	ATS9709	E0960	Structured, Made To Order	\$260

ANTERIOR TRUNK SUPPORTS – STRAP GUIDES				
<input type="checkbox"/>	HDW6900		STRAP POSITIONER - EACH	\$36

LOWER BODY POSITIONING

KNEE POSITIONING				
<input type="checkbox"/>	KPG10XX	E0953	Knee Pos Blocks, + Pullaway Hardware	\$505
<input type="checkbox"/>	KPG19XX	E0953	Knee Pos Blocks, Made To Order + Hardware	\$560
<input type="checkbox"/>	KAK31XXL	E0953/E1028	Knee Add PKG Swing Away Long L	\$362
<input type="checkbox"/>	KAK31XXR	E0953/E1028	Knee Add PKG Swing Away Long R	\$362
<input type="checkbox"/>	KAK21XXL	E0953/E1028	Knee Add PKG Swing Away Short L	\$362
<input type="checkbox"/>	KAK21XXR	E0953/E1028	Knee Add PKG Swing Away Short R	\$362
<input type="checkbox"/>	KAD10XX	E0953	Knee Adductor Pad 3" Round	\$56
<input type="checkbox"/>	KAD11XX	E0953	Knee Adductor Pad 4" Round	\$56
<input type="checkbox"/>	KAD19XX	E0953	Knee Adductor Pad Made To Order	\$120
<input type="checkbox"/>	HDW4851	E1028	Knee Add brkt Swing Away Long L	\$393
<input type="checkbox"/>	HDW4852	E1028	Knee Add brkt Swing Away Long R	\$393
<input type="checkbox"/>	HDW4853	E1028	Knee Add brkt Swing Away Short L	\$393
<input type="checkbox"/>	HDW4854	E1028	Knee Add brkt Swing Away Short R	\$393

FOOT BOXES				
<input type="checkbox"/>	TST7014L	E0954	Single Foot Box, Std, 14" W/C (left leg)	\$326
<input type="checkbox"/>	TST7014R	E0954	Single Foot Box, Std, 14" W/C (right leg)	\$326
<input type="checkbox"/>	TST7016L	E0954	Single Foot Box, Std, 16" W/C (left leg)	\$326
<input type="checkbox"/>	TST7016R	E0954	Single Foot Box, Std, 16" W/C (right leg)	\$326
<input type="checkbox"/>	TST7018L	E0954	Single Foot Box, Std, 18" W/C (left leg)	\$326
<input type="checkbox"/>	TST7018R	E0954	Single Foot Box, Std, 18" W/C (right leg)	\$326
<input type="checkbox"/>	TST7114	E0954	Full Width Ft Box, Std, 14" W/C (1 pc)	\$530
<input type="checkbox"/>	TST7116	E0954	Full Width Ft Box, Std, 16" W/C (1 pc)	\$530
<input type="checkbox"/>	TST7118	E0954	Full Width Ft Box, Std, 18" W/C (1 pc)	\$530

FLEXI FEET				
<input type="checkbox"/>	32600XS-RT	E0951/E0952	Flexi-Feet System Xtra Small - Pair	\$220
<input type="checkbox"/>	32600S-RT	E0951/E0952	Flexi-Feet System Small - Pair	\$220
<input type="checkbox"/>	32600M-RT	E0951/E0952	Flexi-Feet System Medium - Pair	\$220
<input type="checkbox"/>	32600L-RT	E0951/E0952	Flexi-Feet System Large - Pair	\$220

UPPER BODY POSITIONING

TRAYS				
<input type="checkbox"/>	WCT1005	E0950	Wooden Support Platform, X-Small	\$280
<input type="checkbox"/>	WCT1000	E0950	Wooden Support Platform, Small	\$280
<input type="checkbox"/>	WCT2000	E0950	Wooden Support Platform, Medium	\$280
<input type="checkbox"/>	WCT3000	E0950	Wooden Support Platform, Large	\$280
<input type="checkbox"/>	WCT4000	E0950	Wooden Support Platform, X-Large	\$280
<input type="checkbox"/>	WCT5005	E0950	Lexan Support Platform, X-Small	\$290
<input type="checkbox"/>	WCT5000	E0950	Lexan Support Platform, Small	\$290
<input type="checkbox"/>	WCT6000	E0950	Lexan Support Platform, Medium	\$290
<input type="checkbox"/>	WCT7000	E0950	Lexan Support Platform, Large	\$290
<input type="checkbox"/>	WCT8000	E0950	Lexan Support Platform, X-Large	\$290
<input type="checkbox"/>	WCT9000	E0950	Made To Order Support Platform	\$530

PLATFORM ACCESSORIES				
<input type="checkbox"/>	TAC11XX		Platform Padding, Removable Cover	\$326
<input type="checkbox"/>	TAC4100L		Joystick Cutout, Left	\$66
<input type="checkbox"/>	TAC4100R		Joystick Cutout, Right	\$66
<input type="checkbox"/>	TAC4175		Platform Cutout, Made To Order	\$85
<input type="checkbox"/>	THW6000		Strap with Release Buckle	\$52

SHOE HOLDERS				
<input type="checkbox"/>	TST6001	E0951/E0952	Shoe Holder padded buckles Small	\$72
<input type="checkbox"/>	TST6101	E0951/E0952	Shoe Holder padded buckles Medium	\$72
<input type="checkbox"/>	TST6201	E0951/E0952	Shoe Holder padded buckles Large	\$72
<input type="checkbox"/>	TST6000	E0951/E0952	Shoe Holder non-padded buckles Small	\$65
<input type="checkbox"/>	TST6100	E0951/E0952	Shoe Holder non-padded buckles Med	\$65
<input type="checkbox"/>	TST6200	E0951/E0952	Shoe Holder non-padded buckles Large	\$65

SHOE HOLDERS with TENDON RELIEF				
<input type="checkbox"/>	TST6061	E0951/E0952	Shoe Holder padded buckles Small	\$73
<input type="checkbox"/>	TST6161	E0951/E0952	Shoe Holder padded buckles Medium	\$73
<input type="checkbox"/>	TST6261	E0951/E0952	Shoe Holder padded buckles Large	\$73

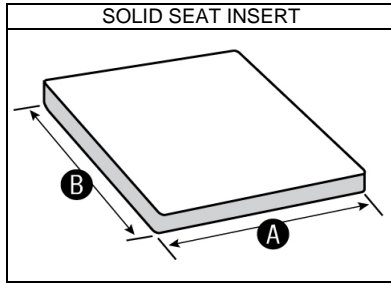
FOOT and ANKLE POSTIONING				
<input type="checkbox"/>	TST6510L	E0951/E0952	Foot & Ankle Positioner Small Left	\$93
<input type="checkbox"/>	TST6510R	E0951/E0952	Foot & Ankle Positioner Small Right	\$93
<input type="checkbox"/>	TST6520L	E0951/E0952	Foot & Ankle Positioner Medium Left	\$93
<input type="checkbox"/>	TST6520R	E0951/E0952	Foot & Ankle Positioner Medium Right	\$93
<input type="checkbox"/>	TST6540L	E0951/E0952	Foot & Ankle Positioner Large Left	\$93
<input type="checkbox"/>	TST6540R	E0951/E0952	Foot & Ankle Positioner Large Right	\$93

ANKLE POSITIONING				
<input type="checkbox"/>	TST6501L	E0951	Ankle Positioner Xtra Small Left	\$72
<input type="checkbox"/>	TST6501R	E0951	Ankle Positioner Xtra Small Right	\$72
<input type="checkbox"/>	TST6511L	E0951	Ankle Positioner Small Left	\$72
<input type="checkbox"/>	TST6511R	E0951	Ankle Positioner Small Right	\$72
<input type="checkbox"/>	TST6521L	E0951	Ankle Positioner Medium Left	\$72
<input type="checkbox"/>	TST6521R	E0951	Ankle Positioner Medium Right	\$72
<input type="checkbox"/>	TST6541L	E0951	Ankle Positioner Large Left	\$72
<input type="checkbox"/>	TST6541R	E0951	Ankle Positioner Large Right	\$72

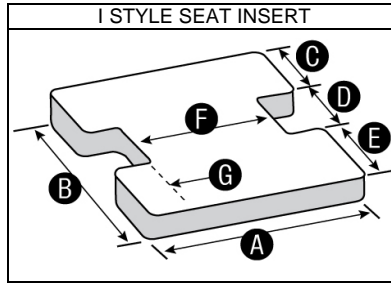
TRAY MOUNTING HARDWARE				
<input type="checkbox"/>	THW1000		Toggle Hardware	\$62
<input type="checkbox"/>	THW2000		Slide Tube Hardware	\$184
<input type="checkbox"/>	THW3000		Birch Runners	\$42
<input type="checkbox"/>	THW3100		S-Style Runners, ABS	\$42
<input type="checkbox"/>	THW3210		Slotted Channel Runners, ABS	\$46
<input type="checkbox"/>	THW3700		Top Drop Platform	\$122
<input type="checkbox"/>	THW4500		Angle-Cam Hardware	\$62

NOTES				

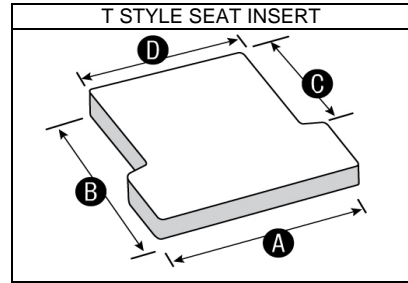
SEAT DIMENSIONS Specifications



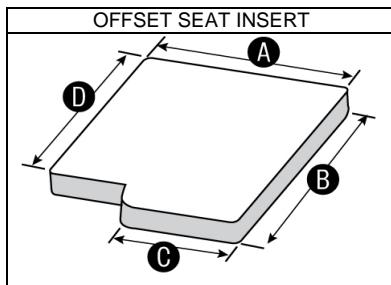
A		B	
---	--	---	--



A		E	
B		F	
C		G	
D			

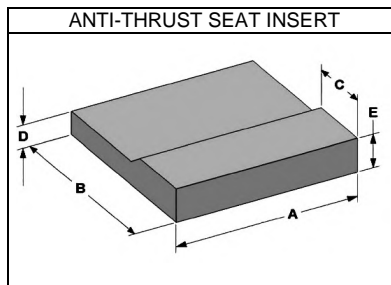


A		C	
B		D	

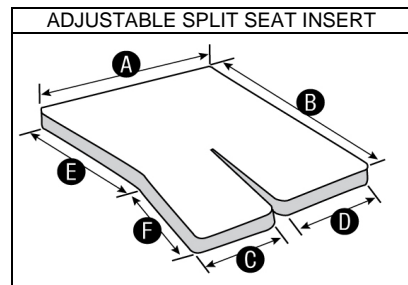


- Long Left Side
- Long Right Side

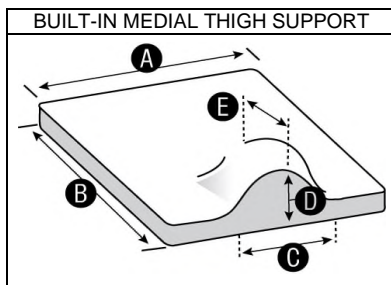
A		C	
B		D	



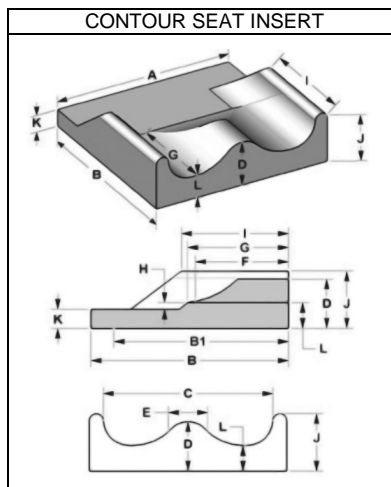
A		D	
B		E	
C			



A		D	
B		E	
C		F	

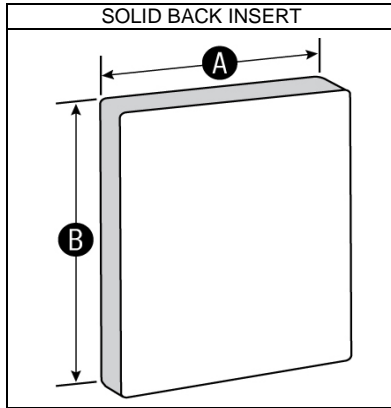


A		D	
B		E	
C			

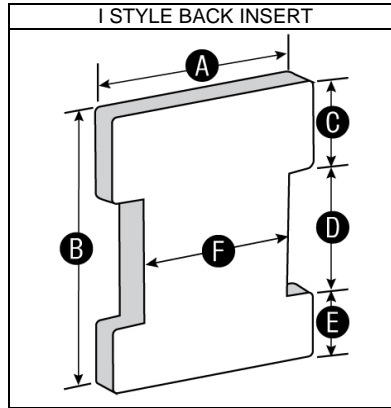


A		G	
B		H	
C		I	
D		J	
E		K	
F		L	

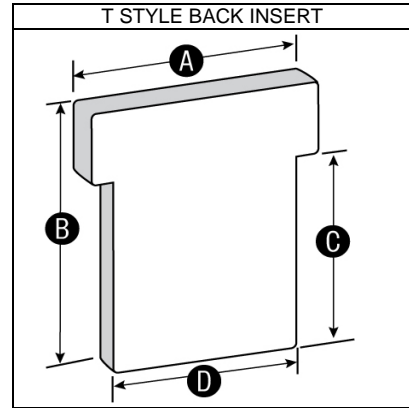
BACK DIMENSIONS Specifications



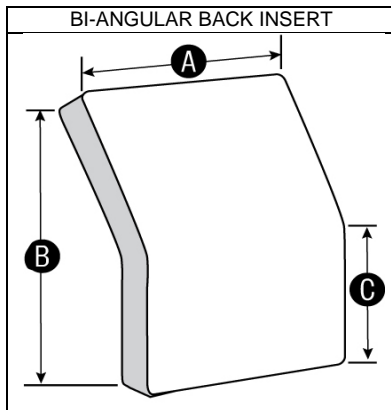
A		B	
---	--	---	--



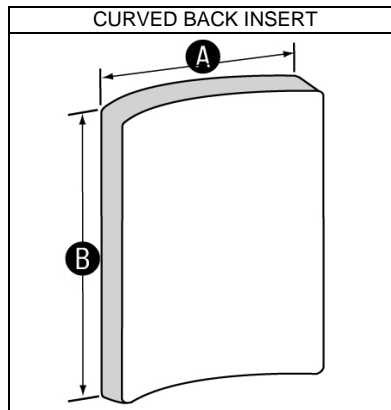
A		D	
B		E	
C		F	



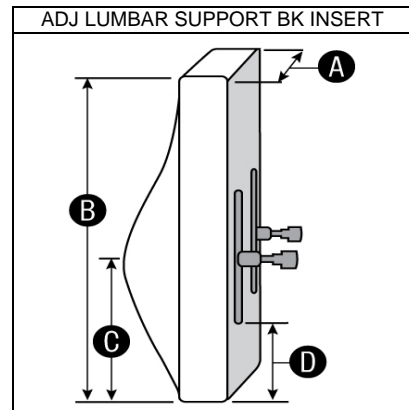
A		C	
B		D	



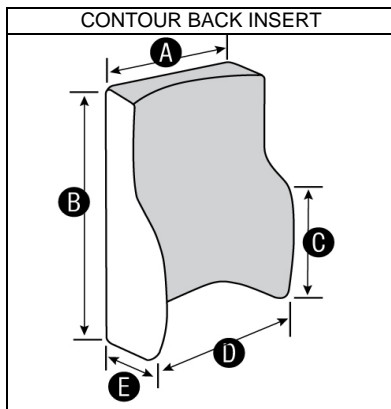
A		C	
B			



A		B	
---	--	---	--



A		C	
B		D	



A		D	
B		E	
C			



Sunrise Medical (US) LLC
2842 Business Park Ave. · Fresno, CA 93727 · USA