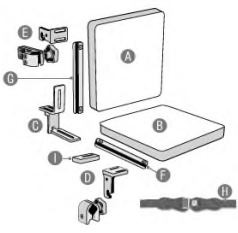
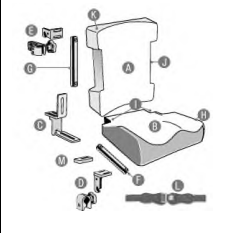
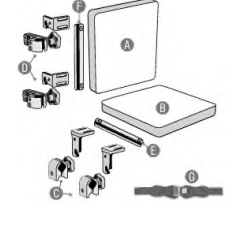
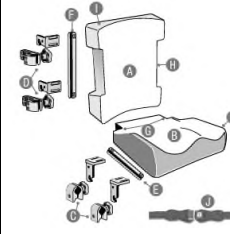


SEATING SYSTEMS PACKAGES (Seat & Back)

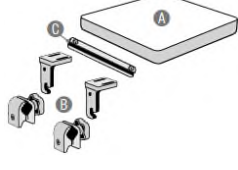
<input type="checkbox"/>	PKG40XX	E2609/E2617	Li'l Kiddos Seating System Package	\$1,684
				
	A	SBP11XX	Solid Back Insert	\$330
	B	SSP11XX	Solid Seat Insert	\$320
	C	HDW1055	Std Seat To Back brkt	\$295
	D	HDW7819S	Fix Univrsl Clamp (Pr)	\$230
	E	HDW7820	Adj Univrsl Clamp (Pr)	\$295
	F	HDW7110T	10" Adjustment Rails (2)	\$45
	G	HDW7112T	12" Adjustment Rails (2)	\$45
	H	APB5115	Pelvic Belt 1", Padded	\$100
	I	HDW6305	Seat Tab (2)	2x \$12
<p>Note: When WC20 is added appropriate transit approved hardware must be selected.</p>				

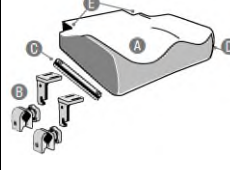
<input type="checkbox"/>	PKG41XX	E2609/E2617	Li'l Kiddos Contoured Seating Package	\$2,309
				
	A	SBP11XX	Solid Back Insert	\$330
	B	SSP11XX	Solid Seat Insert	\$320
	C	HDW1055	Std Seat To Back brkt	\$295
	D	HDW7819S	Fix Univrsl Clamp(Pr)	\$230
	E	HDW7820	Adj Univrsl Clamp (Pr)	\$295
	F	HDW7110T	10" Adjustment Rails (2)	\$45
	G	HDW7112T	12" Adjustment Rails (2)	\$45
	H	MOD4600	Contour Seat	\$360
	I	MOD4153	Notches for Back Post	\$0
	J	MOD5200	I Style Back	\$125
	K	MOD5530	Curved Foam Back	\$140
	L	APB5115	Pelvic Belt 1", Padded	\$100
	M	HDW6305	Seat Tab (2)	2x \$12
<p>Note: When WC20 is added appropriate transit approved hardware must be selected.</p>				

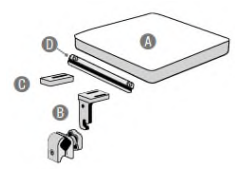
<input type="checkbox"/>	PKG42XX	E2609/E2617	Li'l Kiddos Independent St & Back Pkg	\$1,890
				
	A	SBP11XX	Solid Back Insert	\$330
	B	SSP11XX	Solid Seat Insert	\$320
	C	HDW7819S	Fix Universal Clamp(4)	2x \$230
	D	HDW7820	Adj Universal Clamp (4)	2x \$295
	E	HDW7110T	10" Adjustment Rails (2)	\$45
	F	HDW7112T	12" Adjustment Rails (2)	\$45
	G	APB5115	Pelvic Belt 1", Padded	\$100
<p>Note: When WC20 is added appropriate transit approved hardware must be selected.</p>				

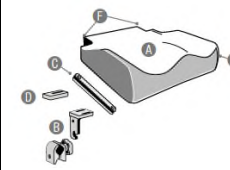
<input type="checkbox"/>	PKG43XX	E2609/E2617	Li'l Kiddos Contoured Indp St & Bck Pkg	\$2,515
				
	A	SBP11XX	Solid Back Insert	\$330
	B	SSP11XX	Solid Seat Insert	\$320
	C	HDW7819S	Fix Universal Clamp(4)	2x \$230
	D	HDW7820	Adj Universal Clamp (4)	2x \$295
	E	HDW7110T	10" Adjustment Rails (2)	\$45
	F	HDW7112T	12" Adjustment Rails (2)	\$45
	G	MOD4153	Notches for Back Post	\$0
	H	MOD5200	I Style Back	\$125
	I	MOD5530	Curved Foam Back	\$140
	J	APB5115	Pelvic Belt 1", Padded	\$100
	K	MOD4600	Contour Seat	\$360
<p>Note: When WC20 is added appropriate transit approved hardware must be selected.</p>				

SEAT PACKAGES


<input type="checkbox"/>	SSK70XX	E2609	Li'l Kiddos Solid Seat Package	\$825
				
	A	SSP11XX	Solid Seat Insert	\$320
	B	HDW7819S	Fix Universal Clamp(4)	2x \$230
	C	HDW7110T	10" Adjustment Rails (2)	\$45
<p>Note: When WC20 is added appropriate transit approved hardware must be selected.</p>				

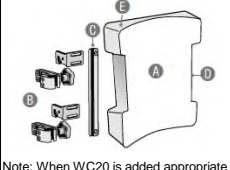
<input type="checkbox"/>	SSK71XX	E2609	Li'l Kiddos Contoured Seat Package	\$955
				
	A	SSP11XX	Solid Seat Insert	\$320
	B	HDW7819S	Fix Universal Clamp(4)	2x \$230
	C	HDW7110T	10" Adjustment Rails (2)	\$45
	D	MOD4600	Contour Seat	\$360
	E	MOD4153	Notches for Back Post	\$0
<p>Note: When WC20 is added appropriate transit approved hardware must be selected.</p>				

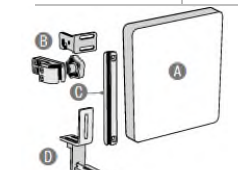
<input type="checkbox"/>	SSK77XX	E2609	Li'l Kiddos Seat & Hardware Package	\$703
				
	A	SSP11XX	Solid Seat Insert	\$320
	B	HDW7819S	Fix Univrsl Clamp (Pr)	\$230
	C	HDW6305	Seat Tab (2)	2x \$12
	D	HDW7110T	10" Adjustment Rails (2)	\$45
<p>Note: When WC20 is added appropriate transit approved hardware must be selected.</p> <p>Note: Configured to be ordered with SBK77XX or SBK78XX</p>				

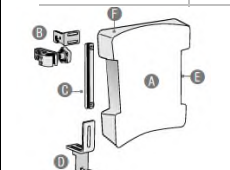
<input type="checkbox"/>	SSK78XX	E2609	Li'l Kiddos Contoured Seat Package	\$979
				
	A	SSP11XX	Solid Seat Insert	\$320
	B	HDW7819S	Fix Univrsl Clamp (Pr)	\$230
	C	HDW7110T	10" Adjustment Rails (2)	\$45
	D	HDW6305	Seat Tab (2)	2x \$12
	E	MOD4600	Contour Seat	\$360
	F	MOD4153	Notches for Back Post	\$0
<p>Note: When WC20 is added appropriate transit approved hardware must be selected.</p> <p>Note: Configured to be ordered with SBK77XX or SBK78XX</p>				

BACK PACKAGES

<input type="checkbox"/>	SBK70XX	E2617	Universal Mount Back Package	\$965
				
	A	SBP11XX	Solid Back Insert	\$330
	B	HDW7820	Adj Universal Clamp (4)	2x \$295
	C	HDW7112T	12" Adjustment Rails (2)	\$45
<p>Note: When WC20 is added appropriate transit approved hardware must be selected.</p>				

<input type="checkbox"/>	SBK71XX	E2617	Drop Hook & Fixed Holds(Between)	\$1,230
				
	A	SBP11XX	Solid Back Insert	\$330
	B	HDW7820	Adj Universal Clamp (4)	2x \$295
	C	HDW7112T	12" Adjustment Rails (2)	\$45
	D	MOD5200	I Style Back	\$125
	E	MOD5530	Curved Foam Back	\$140
<p>Note: When WC20 is added appropriate transit approved hardware must be selected.</p>				

<input type="checkbox"/>	SBK77XX	E2617	Adj "J" Hook & Fixed/Rotate Hold	\$965
				
	A	SBP11XX	Solid Back Insert	\$330
	B	HDW7820	Adj Univrsl Clamp (Pr)	\$295
	C	HDW7112T	12" Adjustment Rails (2)	\$45
	D	HDW1055	Std Seat To Back brkt	\$295
<p>Note: Configured to be ordered with SSK77XX or SSK78XX</p> <p>Note: When WC20 is added appropriate transit approved hardware must be selected.</p>				

<input type="checkbox"/>	SBK78XX	E2617	Mount Hook & Fixed Hold (Forward)	\$1,230
				
	A	SBP11XX	Solid Back Insert	\$330
	B	HDW7820	Adj Univrsl Clamp (Pr)	\$295
	C	HDW7112T	12" Adjustment Rails (2)	\$45
	D	HDW1055	Std Seat To Back brkt	\$295
	E	MOD5200	I Style Back	\$125
	F	MOD5530	Curved Foam Back	\$140
<p>Note: Configured to be ordered with SSK77XX or SSK78XX</p> <p>Note: When WC20 is added appropriate transit approved hardware must be selected.</p>				

SEATING SYSTEM TRANSIT OPTION			
<input type="checkbox"/>	MODWC20	TRANSIT OPTION HARDWARE	\$225

SEAT MODIFICATIONS

SEAT MODIFICATIONS – STRUCTURAL

<input type="checkbox"/>	MOD4075	Two Piece Cushion & Base Seat	\$165
<input type="checkbox"/>	MOD4150	Notches for Back Posts 2" X 2"	N/C
<input type="checkbox"/>	MOD4153	Notches for Back Posts 3" deep	N/C
<input type="checkbox"/>	MOD4155	Notches Front Hangers (Wood Only)	N/C
<input type="checkbox"/>	MOD4159	Notches Back Post, Seat, Cus	\$40
<input type="checkbox"/>	MOD4170	Sub 1/2" Plastitech Seat	\$40
<input type="checkbox"/>	MOD4175	Mid Seat Cutout for X-Brace	\$110
<input type="checkbox"/>	MOD4200L	Offset Seat, Long on Left side	\$110
<input type="checkbox"/>	MOD4200R	Offset Seat, Long on Right side	\$110
<input type="checkbox"/>	MOD4300	T-style Seat	\$120
<input type="checkbox"/>	MOD4400	Anti-Thrust Seat	\$180
<input type="checkbox"/>	MOD4450	Quick-Fit Anti-Thrust Seat	\$425
<input type="checkbox"/>	MOD4460	Wedge Seat	\$185
<input type="checkbox"/>	MOD4500	Cubed Seat (2"x2"x2" HR foam)	\$425
<input type="checkbox"/>	MOD4525	Custom Cubes, Seat	\$495
<input type="checkbox"/>	MOD4600	E2294 Contour Seat	\$360
<input type="checkbox"/>	MOD4605	Leg Trough Cut Into Seat	\$140
<input type="checkbox"/>	MOD4611	Contoured Mod w/Pel Well Mild	\$360
<input type="checkbox"/>	MOD4612	Contoured Mod w/Pel Well Med	\$360
<input type="checkbox"/>	MOD4613	Contoured Mod w/Pel Well Aggr	\$360
<input type="checkbox"/>	MOD4614	Contoured Mod w/Pel Well Cust	\$360
<input type="checkbox"/>	MOD4630	Quick-Fit Contoured Seat	\$550
<input type="checkbox"/>	MOD4640L	Lateral Reinforcement, Seat, Left	\$110
<input type="checkbox"/>	MOD4640R	Lateral Reinforcement, Seat, Right	\$110
<input type="checkbox"/>	MOD4650	Substitute ABS for Multi-Ply in Seat	\$150
<input type="checkbox"/>	MOD4655L	Belt Strap Notches, Seat, Left	\$24
<input type="checkbox"/>	MOD4655R	Belt Strap Notches, Seat, Right	\$24
<input type="checkbox"/>	MOD4700	Built-in Medial Thigh Support	\$215
<input type="checkbox"/>	MOD4725	Contour Lateral Adductor	\$215
<input type="checkbox"/>	MOD4800	Seat Rail Foam Overlay	\$132
<input type="checkbox"/>	MOD4825	Seat - Front Edge Bevel Undercut	\$132
<input type="checkbox"/>	MOD4850L	Pelvic Obliquity Addition (Up to 1") Left	\$150
<input type="checkbox"/>	MOD4850R	Pelvic Obliquity Addition (Up to 1") Right	\$150
<input type="checkbox"/>	MOD4900	Adjustable Split Seat	\$495
<input type="checkbox"/>	MOD5000	I-Style Seat	\$120
<input type="checkbox"/>	MOD5700	Substitute 3/4" Multi-Ply for 1/2"	\$72
<input type="checkbox"/>	MOD6827	No Seat Cushion	NC
<input type="checkbox"/>	MOD6828	Add Folding Hinge Bracket	\$132
<input type="checkbox"/>	MOD6860L	SEAT MOUNT L brkt, TRANS, L	\$30
<input type="checkbox"/>	MOD6860R	SEAT MOUNT L brkt, TRANS, R	\$30
<input type="checkbox"/>	MOD6861L	SEAT MOUNT L brkt, TRANS, SH/L	\$30
<input type="checkbox"/>	MOD6861R	SEAT MOUNT L brkt, TRANS, SH/R	\$30
<input type="checkbox"/>	MOD8000	Omit T-Nuts	N/C

SEAT MODIFICATIONS - UPHOLSTERY

<input type="checkbox"/>	MOD4125	Attaching Strips, Bottom, Loop	\$40
<input type="checkbox"/>	MOD4125H	Attaching Strips, Bottom, Hook	\$40
<input type="checkbox"/>	MOD4126	Attaching Strips, Top, Hook	\$40
<input type="checkbox"/>	MOD4130	Non-Skid Added to Bottom	\$50
<input type="checkbox"/>	MOD4131	Non-Skid Added to Top	\$50
<input type="checkbox"/>	MOD5120	Add Velcro Closure, Custom	\$150
<input type="checkbox"/>	MOD5130	Add Synthetic Sheepskin To Cover, Std	\$180
<input type="checkbox"/>	MOD5150	Incontinent Film Covering	\$100
<input type="checkbox"/>	MOD5160	Rem Cover Zipper Bottom Seat	\$110
<input type="checkbox"/>	MOD5191	Rem Zippered Seat Face Cover	\$140
<input type="checkbox"/>	MOD5192	Add Zip Seat Top Face Only	\$132
<input type="checkbox"/>	MOD5600	Sewn Positioning Strap Slot (Pair)	\$110

SEAT MODIFICATIONS - FOAM

<input type="checkbox"/>	MOD0050	Omit Foam in Seat	N/C
HR FOAM			
<input type="checkbox"/>	MOD1005	1/2" HR Foam in Seat	N/C
<input type="checkbox"/>	MOD1100	1" HR Foam in Seat	N/C
<input type="checkbox"/>	MOD1150	1-1/2" HR Foam in Seat	N/C
<input type="checkbox"/>	MOD1200	2" HR Foam in Seat	\$35
<input type="checkbox"/>	MOD1300	3" HR Foam in Seat	\$50
PUDGEE FOAM			
<input type="checkbox"/>	MOD1405	Additional 1/2" Pudgee Foam in Seat	\$180
<input type="checkbox"/>	MOD1400	1" Pudgee Foam in Seat	\$270
<input type="checkbox"/>	MOD1495	1" Pudgee Foam Partial Insert	\$200
T FOAM			
<input type="checkbox"/>	MOD1605	1/2" T-Foam in Seat	\$60
<input type="checkbox"/>	MOD1600	1" T-Foam in Seat	\$105
<input type="checkbox"/>	MOD1615	1-1/2" T-Foam in Seat	\$120
<input type="checkbox"/>	MOD1700	2" T-Foam in Seat	\$150
SUNMATE FOAM			
<input type="checkbox"/>	MOD1805	1/2" SunMate Foam in Seat	\$45
<input type="checkbox"/>	MOD1800	1" SunMate Foam in Seat	\$85
<input type="checkbox"/>	MOD1815	1-1/2" SunMate Foam in Seat	\$110
<input type="checkbox"/>	MOD1900	2" SunMate Foam in Seat	\$125
<input type="checkbox"/>	MOD1816	1/2" SSM over 1" MSM Foam In seat	\$110
<input type="checkbox"/>	MOD1817	1" SSM over 1/2" MSM Foam in Seat	\$110
JAY FLOW FLUID			
<input type="checkbox"/>	MOD1505	Pressure Relief Pads/Ischial	\$260
GEL			
<input type="checkbox"/>	MOD1500	5/8" Gel over HR Foam in Seat	\$230
<input type="checkbox"/>	MOD1525	1/2" Cubed Gel over HR Foam in Seat	\$270
<input type="checkbox"/>	MOD1595	5/8" Gel Partial Insert	\$182
STIMULITE HONEYCOMB			
<input type="checkbox"/>	MOD1185	1/2" Stimulite Honeycomb, Seat	\$215
<input type="checkbox"/>	MOD1180	1" Stimulite Honeycomb, Seat	\$270
<input type="checkbox"/>	MOD1195	Partial Stimulite Honeycomb, Insert	\$215

ADDITIONAL SEAT COVERS

<input type="checkbox"/>	COV4100	Additional Zippered Cover, Flat, Std	\$132
<input type="checkbox"/>	COV4109	Additional Zippered Cover, Custom	\$180
<input type="checkbox"/>	COV4110	Additional Slip Over Cover, Flat, Std	\$132
<input type="checkbox"/>	COV4119	Additional Slip Over Cover, Custom	\$180
<input type="checkbox"/>	COV99XX	Additional Zippered Cover Foam Form	\$495

BACK MODIFICATIONS

BACK MODIFICATIONS – STRUCTURAL

<input type="checkbox"/>	MOD1045	Adj Offset Hinge, Wide in Pkg	\$85
<input type="checkbox"/>	MOD1055	Adj Offset Hinge, Ped in Pkg	\$85
<input type="checkbox"/>	MOD5075	2 Piece Cush & Base Back (1/2" Wood)	\$170
<input type="checkbox"/>	MOD5125	Add Hook/Loop Closure Back	\$145
<input type="checkbox"/>	MOD5135	Add Faux Sheepskin To Back	\$180
<input type="checkbox"/>	MOD5170	Sub 1/2" Plastitech Back	\$40
<input type="checkbox"/>	MOD5180	Foam Form Back	\$495
<input type="checkbox"/>	MOD5194	Cen & Top Edge Zip Hidn Back	NC
<input type="checkbox"/>	MOD5200	I-Style Back	\$125
<input type="checkbox"/>	MOD5300	T-Style Back	\$125
<input type="checkbox"/>	MOD5425	Half-Round Lumbar Roll - Internal	\$175
<input type="checkbox"/>	MOD5426	Half-Round Lumbar Roll w/ Strap	\$175
<input type="checkbox"/>	MOD5450	Adj Angle Bi-Angular Back w/ 2 brkts	\$365
<input type="checkbox"/>	MOD5451	Adj Angle Bi-Angular Back w/ 1 brkt	\$240
<input type="checkbox"/>	MOD5452	Adj Bi-Ang Back 2 Piece cover	\$495
<input type="checkbox"/>	MOD5455	1/2" PL-TECH BASE & CUSH, BACK	\$65
<input type="checkbox"/>	MOD5460	Adjustable Lumbar Back 5.5" Adj Range	\$395
<input type="checkbox"/>	MOD5461	Adjustable Lumbar Back 3" Adj Range	\$395
<input type="checkbox"/>	MOD5462	Adjustable Lumbar Back 7.5" Adj Range	\$395
<input type="checkbox"/>	MOD5475	Revers Bi-Angular Back - Fixed	\$215
<input type="checkbox"/>	MOD5500	Curved Back	\$175
<input type="checkbox"/>	MOD5501	Curved Back, w/ 2 hinged L brkts	\$215
<input type="checkbox"/>	MOD5502	Curved Back, w/ 4 Hinged L brkts	\$235
<input type="checkbox"/>	MOD5510	Curved Lateral Thor Pad Mod	\$20
<input type="checkbox"/>	MOD5525	Rear Upright Foam Overlay	\$130
<input type="checkbox"/>	MOD5530	Curved Foam Addition to Flat Back	\$140
<input type="checkbox"/>	MOD5550	Cubed Back (2"x2"x2" HR foam)	\$405
<input type="checkbox"/>	MOD5575	Custom Cubes, Back	\$495
<input type="checkbox"/>	MOD5600	Sewn Anterior Position Strap Slots (PR)	\$110
<input type="checkbox"/>	MOD5605	T-Nut For Strap Pos Hdw	NC
<input type="checkbox"/>	MOD5610	Shoulder Strap Mnt Through Back	\$145
<input type="checkbox"/>	MOD5620	Attaching Tie W/Velcro Back	\$25
<input type="checkbox"/>	MOD5621	Attaching Tie W/ Snaps Back	\$24
<input type="checkbox"/>	MOD5622	Attaching Ties Loops Back	\$24
<input type="checkbox"/>	MOD5650	Substitute ABS (1/2") for Multi-Ply in Bck	\$180
<input type="checkbox"/>	MOD5700	Replace 3/4" Multi-Ply with 1/2"	\$72
<input type="checkbox"/>	MOD5705	Replace 1/2" Multi-Ply with 3/4"	\$70
<input type="checkbox"/>	MOD5800	Contour Back	\$305
<input type="checkbox"/>	MOD5801	Quick-Fit Contour/Bi-Angular Back	\$605
<input type="checkbox"/>	MOD5802	Quick-Fit Contour Back Only	\$495
<input type="checkbox"/>	MOD5804	Contour Fixed Lumbar Wedge	\$195
<input type="checkbox"/>	MOD5810	Contour Back Mod Euro Style	\$140
<input type="checkbox"/>	MOD5835	Harn's Strap Notches, Top Edge of Back	\$100
<input type="checkbox"/>	MOD5849	ABS back with side walls Back	\$275
<input type="checkbox"/>	MOD5850	Scapular Contour Cutout, Back	\$185
<input type="checkbox"/>	MOD5855	Top Edge Angle Cut, Back	\$110
<input type="checkbox"/>	MOD5860	Large Radius Corners For Back	NC
<input type="checkbox"/>	MOD8100	Omit T-Nuts, Back	N/C

BACK MODIFICATIONS – UPHOLSTERY

<input type="checkbox"/>	MOD5115	Add Faux Sheepskin to Back Cus	\$220
<input type="checkbox"/>	MOD5125	Add Velcro Closure, Custom	\$145
<input type="checkbox"/>	MOD5127	Privacy Flap 12" Long	\$110
<input type="checkbox"/>	MOD5165	Removable top Cover Zipper at Center	\$150
<input type="checkbox"/>	MOD5610	Shoulder Strap Mounting Grommets	\$145
<input type="checkbox"/>	MOD5620	Attaching Ties for Back, Velcro	\$25
<input type="checkbox"/>	MOD5621	Attaching Ties for Back, Snaps	\$24
<input type="checkbox"/>	MOD5900	Monogram Back, Block	N/C
<input type="checkbox"/>	MOD5901	Monogram Back, Script	N/C
<input type="checkbox"/>	MOD5902	Monogram Stock Design	N/C
<input type="checkbox"/>	MOD5909	Monogram Back, Custom	N/C

BACK MODIFICATIONS – FOAM

<input type="checkbox"/>	MOD0055	Omit Foam in Back	N/C
HR FOAM			
<input type="checkbox"/>	MOD2005	1/2" HR Foam in Back	NC
<input type="checkbox"/>	MOD2100	1" HR Foam in Back	NC
<input type="checkbox"/>	MOD2150	1-1/2" HR Foam in Back	NC
<input type="checkbox"/>	MOD2200	2" HR Foam in Back	\$35
<input type="checkbox"/>	MOD2300	3" HR Foam in Back	\$55
PUDGEE FOAM			
<input type="checkbox"/>	MOD2400	1" Pudgee Foam in Back	\$255
<input type="checkbox"/>	MOD2405	Additional 1/2" Pudgee Foam in Back	\$180
<input type="checkbox"/>	MOD2495	1" Partial Pudgee Foam in Back	\$200
T FOAM			
<input type="checkbox"/>	MOD2605	1/2" T-Foam in Back	\$60
<input type="checkbox"/>	MOD2600	1" T-Foam in Back	\$105
<input type="checkbox"/>	MOD2615	1-1/2" T-Foam in Back	\$120
<input type="checkbox"/>	MOD2700	2" T-Foam in Back	\$145
SUNMATE FOAM			
<input type="checkbox"/>	MOD2805	1/2" SunMate in Back	\$45
<input type="checkbox"/>	MOD2800	1" SunMate Foam in Back	\$95
<input type="checkbox"/>	MOD2815	1-1/2" SunMate in Back	\$105
<input type="checkbox"/>	MOD2900	2" SunMate Foam in Back	\$130
<input type="checkbox"/>	MOD2801	1/2" SSM OVER 1/2" MSM, BACK	\$95
<input type="checkbox"/>	MOD2804	1" SSM OVER 1/2" HR FOAM, BACK	\$95
JAY FLOW FLUID			
<input type="checkbox"/>	MOD2505	SPINAL PRESSURE RELIEF PAD	\$370
GEL			
<input type="checkbox"/>	MOD2160	Elasto-Gel Addition Back	\$360
<input type="checkbox"/>	MOD2500	5/8" Gel & HR Foam in Back	\$240
<input type="checkbox"/>	MOD2595	5/8" Gel Partial & HR Foam in Back	\$200
STIMILITE HONEYCOMB			
<input type="checkbox"/>	MOD2185	1/2" Stimulite in Back	\$200
<input type="checkbox"/>	MOD2180	1" Stimulite in Back	\$285
<input type="checkbox"/>	MOD2195	Partial Stimulite in Back	\$190
FOAM-IN-PLACE			
<input type="checkbox"/>	MOD5180	Foam-in-Place BACK Soft	\$495

BACK MODIFICATIONS - INTERNAL

<input type="checkbox"/>	FTK10XX	E0956	Thrcic Support Kit Foam Form 5"Hx5"D	\$330
<input type="checkbox"/>	FTK11XX	E0956	Thrcic Support Kit Foam Form 7"Hx5"D	\$395
<input type="checkbox"/>	FTK12XX	E0956	Thrcic Support Kit Foam Form 9"Hx6"D	\$300
<input type="checkbox"/>	FTK13XX	E0956	Thrcic Support Kit Foam Form 11"Hx7"D	\$330
<input type="checkbox"/>	FTK19XX		Thrcic Support Kit, Foam Form, Custom	\$420

ADDITIONAL BACK COVERS

<input type="checkbox"/>	COV5100	Additional Zippered Cover, Flat, Std	\$135
<input type="checkbox"/>	COV5109	Additional Zippered Cover, Custom	\$190
<input type="checkbox"/>	COV5110	Additional Slip Over Cover, Flat, Std	\$140
<input type="checkbox"/>	COV5119	Additional Slip Over Cover, Custom	\$195
<input type="checkbox"/>	COV99XX	Add Zipper Cover Foam-in-place	\$495

LATERAL THORACIC SUPPORTS

LATERAL THORACIC SUPPORT PACKAGES - Each				
<input type="checkbox"/>	LTK72XX	E0956	Std profile bracket - Flat Pad - Each	\$140
	<input type="checkbox"/> Left		<input type="checkbox"/> Right <input type="checkbox"/> Pair	
<input type="checkbox"/>	LTK73XX	E0956	Std profile bracket - Curved Pad - Each	\$165
	<input type="checkbox"/> Left		<input type="checkbox"/> Right <input type="checkbox"/> Pair	
<input type="checkbox"/>	LTK74XX	E0956	Fixed Modular brkt - Flat Pad - Each	\$270
	<input type="checkbox"/> Left		<input type="checkbox"/> Right <input type="checkbox"/> Pair	
<input type="checkbox"/>	LTK75XX	E0956 E1028	E-Z Access SA brkt - Flat Pad - Each	\$320
	<input type="checkbox"/> Left		<input type="checkbox"/> Right <input type="checkbox"/> Pair	
<input type="checkbox"/>	LTK76XX	E0956 E1028	Modular brkt Quick Adj - Flat Pad - Each	\$320
	<input type="checkbox"/> Left		<input type="checkbox"/> Right <input type="checkbox"/> Pair	
<input type="checkbox"/>	LTK77XX	E0956 E1028	E-Z Access SA brkt Q Adj - Flat Pad - EA	\$360
	<input type="checkbox"/> Left		<input type="checkbox"/> Right <input type="checkbox"/> Pair	
<input type="checkbox"/>	LTK78XX	E0956 E1028	E-Z Access SA brkt - Curved Pad - Each	\$360
	<input type="checkbox"/> Left		<input type="checkbox"/> Right <input type="checkbox"/> Pair	

LATERAL THORACIC SUPPORT MODIFICATIONS				
<input type="checkbox"/>	MOD2550		1/4" Gel in Thoracic Support	\$50
<input type="checkbox"/>	MOD2650		1/2" T-Foam in Thoracic Support	\$40
<input type="checkbox"/>	MOD2750		1/2" Pudgee in Thoracic Support	\$50
<input type="checkbox"/>	MOD2850		1/2" SunMate in Thoracic Support	\$19
<input type="checkbox"/>	MOD2861		1" SunMate in Thoracic Support	\$19
<input type="checkbox"/>	MOD2950		Taper Front Edge of Thoracic Support	\$19
<input type="checkbox"/>	MOD3000		Replace Multi-Ply with ABS	\$12
<input type="checkbox"/>	MOD3001		Flat Metal Base up to 5x6"	\$25
<input type="checkbox"/>	MOD3011		Curved Metal Base up to 5X6"	\$25
<input type="checkbox"/>	MOD3100		Add Waterfall Foam to Thoracic Support	\$50
<input type="checkbox"/>	MOD3150		Contour-Fit Pad	\$65
<input type="checkbox"/>	MOD3175		Hinged Pad	\$165
<input type="checkbox"/>	MOD5510		Curved Lateral Pad	\$20
<input type="checkbox"/>	MOD6803		Curved Back Bracket	NC

LATERAL THORACIC ADDITIONAL HARDWARE AND COVERS				
<input type="checkbox"/>	HDW2025		1/4" Bracket Spacer	\$20
<input type="checkbox"/>	HDW2050		1/2" Bracket Spacer	\$20
<input type="checkbox"/>	HDW2521		1" Height Adapter Plate	\$32
<input type="checkbox"/>	HDW2522		2" Height Adapter Plate	\$32
<input type="checkbox"/>	HDW2523		3" Height Adapter Plate	\$32
<input type="checkbox"/>	COV2656		Lateral Bracket Fabric Cover (Ped)	\$33
<input type="checkbox"/>	COV2666		Lateral Bracket Fabric Cover (Short)	\$33
<input type="checkbox"/>	COV2657		Lateral Bracket Fabric Cover (1" Offset)	\$33
<input type="checkbox"/>	COV2667		Lateral Bracket Fabric Cover (2" Offset)	\$33

LATERAL PELVIC/THIGH SUPPORTS

LATERAL PELVIC/THIGH SUPPORT PACKAGES - Each - Pad up to				
<i>Note: Pads can be built up to 5" High and 18" Long</i>				
<input type="checkbox"/>	LPK72XX	E0956	Standard profile brkt w/ Pad - Each	\$160
	<input type="checkbox"/> Left		<input type="checkbox"/> Right <input type="checkbox"/> Pair	
<input type="checkbox"/>	LPK74XX	E0956	Modular brkt w/ Pad - Each	\$250
	<input type="checkbox"/> Left		<input type="checkbox"/> Right <input type="checkbox"/> Pair	
<input type="checkbox"/>	LPK75XX	E0956	20° Adj brkt w/ Pad - Each	\$275
	<input type="checkbox"/> Left		<input type="checkbox"/> Right <input type="checkbox"/> Pair	
<input type="checkbox"/>	LPK76XX	E0956	High Profile brkt w/ Pad - Each	\$160
	<input type="checkbox"/> Left		<input type="checkbox"/> Right <input type="checkbox"/> Pair	
<input type="checkbox"/>	LPK77XX	E0956 E1028	Removable brkt w/ Pad - Each	\$295
	<input type="checkbox"/> Left		<input type="checkbox"/> Right <input type="checkbox"/> Pair	
<input type="checkbox"/>	LPK78XX	E0956 E1028	Removable 20° Adj brkt w/ Pad - Each	\$340
	<input type="checkbox"/> Left		<input type="checkbox"/> Right <input type="checkbox"/> Pair	

LATERAL PELVIC/THIGH SUPPORT MODIFICATIONS				
<input type="checkbox"/>	MOD3025		D Forward Pad Shape	NC
<input type="checkbox"/>	MOD3050		Replace Multi-Ply with ABS	\$12
<input type="checkbox"/>	MOD3055		Contoured Pelvic Supports (Anti-Thrust)	\$55
<input type="checkbox"/>	MOD3500		Waterfall Foam Pelvic Support	\$45
<input type="checkbox"/>	MOD3550		1/4" Gel in Pelvic Support	\$50
<input type="checkbox"/>	MOD3551		1/4" Gel in Long Pelvic Support	\$60
<input type="checkbox"/>	MOD3650		1/2" T-Foam in Pelvic Support	\$40
<input type="checkbox"/>	MOD3750		1/2" Pudgee in Pelvic Support	\$55
<input type="checkbox"/>	MOD3850		1/2" SunMate in Pelvic Support	\$40
<input type="checkbox"/>	MOD3861		1" SunMate in Pelvic Support	\$19
<input type="checkbox"/>	MOD3858		Distal Edge Contour	\$100
<input type="checkbox"/>	MOD3870		Mount LPK on Flat Back Surface	NC
<input type="checkbox"/>	MOD3899		Cus Foam Mod Pelvic Thigh Sup	\$60
<input type="checkbox"/>	MOD4750L		Long, Curved Pad, Pelvic/Thigh left	\$20
<input type="checkbox"/>	MOD4750R		Long, Curved Pad, Pelvic/Thigh, right	\$20

ADDITIONAL DISTAL HARDWARE				
<input type="checkbox"/>	HDW2527		2" Distal Ext Adapter Bar	\$35
<input type="checkbox"/>	HDW2528		3" Distal Ext Adapter Bar	\$35

MEDIAL THIGH SUPPORTS

MEDIAL THIGH SUPPORT PACKAGES				
<input type="checkbox"/>	MTK31XX	E0957 E1028	Pull-Away brkt, 1.25" to 2.75" adj	\$495
<input type="checkbox"/>	MTK34XX	E0957 E1028	Pull-Away brkt, 2.75" to 4.25" adj	\$495

MEDIAL THIGH SUPPORT MODIFICATIONS				
<input type="checkbox"/>	MOD3855		1/2" SunMate Foam in Medial Support	STD
<input type="checkbox"/>	MOD3856		1" SunMate Foam in Medial Support	\$45
<input type="checkbox"/>	MOD3555		1/4" Gel in Medial Support	\$130
<input type="checkbox"/>	MOD3655		1/2" T-Foam in Medial Support	\$40
<input type="checkbox"/>	MOD3755		1/2" Pudgee Foam in Medial Support	\$130

PELVIC POSITIONING BELTS

ANTERIOR PELVIC POSITIONING BELTS – SINGLE PULL

<input type="checkbox"/>	APB6212	E0978	1.5" Side Release buckle, 7.5" Pads	\$56
<input type="checkbox"/>	APB6213	E0978	1.5" Side Release buckle, 9.5" Pads	\$56
<input type="checkbox"/>	APB6210	E0978	1.5" Side Release buckle, Non-Padded	\$35
<input type="checkbox"/>	APB7212	E0978	1.5" Push-Button buckle, Small Pads	\$86
<input type="checkbox"/>	APB7213	E0978	1.5" Push-Button buckle, Med Pads	\$86
<input type="checkbox"/>	APB7210	E0978	1.5" Push-Button buckle, Non-Padded	\$40
<input type="checkbox"/>	APB5115	E0978	Li'l Kiddos 1" Push Button, 4.5" Pads	\$100
<input type="checkbox"/>	APB5116	E0978	Li'l Kiddos 1" Push Button, 5.5" Pads	\$91
<input type="checkbox"/>	APB5117	E0978	Li'l Kiddos 1" Push Button, 7.5" Pads	\$91
<input type="checkbox"/>	APB5110	E0978	Li'l Kiddos 1" Push Button, No-Pad	\$40
<input type="checkbox"/>	APB6111	E0978	Li'l Kiddos 1" Release buckle 5.5" Pads	\$56
<input type="checkbox"/>	APB6112	E0978	Li'l Kiddos 1" Release buckle 7.5" Pads	\$56
<input type="checkbox"/>	APB6110	E0978	Li'l Kiddos 1" Release buckle, No-Pad	\$35

ANTERIOR PELVIC POSITIONING BELTS – DUAL PULL

<input type="checkbox"/>	APB6222	E0978	1.5" Side Release buckle, Small Pads	\$56
<input type="checkbox"/>	APB6223	E0978	1.5" Side Release buckle, Med Pads	\$56
<input type="checkbox"/>	APB7221	E0978	1.5" Push-Button buckle, 5.5" Pads	\$86
<input type="checkbox"/>	APB7222	E0978	1.5" Push-Button buckle, 7.5" Pads	\$86
<input type="checkbox"/>	APB7223	E0978	1.5" Push-Button buckle, 9.5" Pads	\$86
<input type="checkbox"/>	APB5125	E0978	Li'l Kiddos 1" Push Button, 4.5" Pads	\$91
<input type="checkbox"/>	APB5126	E0978	Li'l Kiddos 1" Push Button, 5.5" Pads	\$91
<input type="checkbox"/>	APB5127	E0978	Li'l Kiddos 1" Push Button, 7.5" Pads	\$91
<input type="checkbox"/>	APB6121	E0978	Li'l Kiddos 1" Release buckle, 5.5" Pads	\$56
<input type="checkbox"/>	APB6122	E0978	Li'l Kiddos 1" Release buckle, 7.5" Pads	\$56

ANTERIOR PELVIC POSITIONING BELTS – 4-POINT V-Contour

<input type="checkbox"/>	APB3716	E0978	1" Push-Button buckle	\$170
<input type="checkbox"/>	APB3727	E0978	1.5" Push-Button buckle	\$170
<input type="checkbox"/>	APB3616	E0978	1" Release buckle	\$170
<input type="checkbox"/>	APB3627	E0978	1.5" Release buckle	\$170

ANTERIOR PELVIC POSITIONING BELTS – MEDIAL 4-POINT

<input type="checkbox"/>	APB7242	E0978	1.5" Push-Button buckle, 4.5" Pads	\$111
<input type="checkbox"/>	APB7243	E0978	1.5" Push-Button buckle, 5.5" Pads	\$111
<input type="checkbox"/>	APB7244	E0978	1.5" Push-Button buckle, 6.5" Pads	\$111
<input type="checkbox"/>	APB5145	E0978	Li'l Kiddos 1" Push-button 3.5" Pads	\$111
<input type="checkbox"/>	APB5146	E0978	Li'l Kiddos 1" Push-button 4.5" Pads	\$111

ANTERIOR TRUNK SUPPORTS

ANTERIOR TRUNK SUPPORTS – CLASSIC STYLE

<input type="checkbox"/>	ATS8100	E0960	Dynamic, X-Small	\$152
<input type="checkbox"/>	ATS8101	E0960	Dynamic, Small	\$152
<input type="checkbox"/>	ATS8102	E0960	Dynamic, Medium	\$152
<input type="checkbox"/>	ATS8300	E0960	Structured, X-Small	\$152
<input type="checkbox"/>	ATS8301	E0960	Structured, Small	\$152
<input type="checkbox"/>	ATS8302	E0960	Structured, Medium	\$152

ANTERIOR TRUNK SUPPORTS – CONTOUR STYLE

<input type="checkbox"/>	ATS9100	E0960	Dynamic, X-Small	\$152
<input type="checkbox"/>	ATS9101	E0960	Dynamic, Small	\$152
<input type="checkbox"/>	ATS9102	E0960	Dynamic, Medium	\$152
<input type="checkbox"/>	ATS9107	E0960	Dynamic, Early Intervention	\$152
<input type="checkbox"/>	ATS9300	E0960	Structured, X-Small	\$152
<input type="checkbox"/>	ATS9301	E0960	Structured, Small	\$152
<input type="checkbox"/>	ATS9302	E0960	Structured, Medium	\$152

ANTERIOR TRUNK SUPPORTS – CENTER OPENING STYLE

<input type="checkbox"/>	ATS8807	E0960	Dynamic, Early Int - Side Rel Buckle	\$141
<input type="checkbox"/>	ATS8800	E0960	Dynamic, X-Small - Side Rel Buckle	\$141
<input type="checkbox"/>	ATS8801	E0960	Dynamic, Small - Side Rel Buckle	\$141
<input type="checkbox"/>	ATS8802	E0960	Dynamic, Medium - Side Rel Buckle	\$141
<input type="checkbox"/>	ATS8809	E0960	Dynamic, Custom - Side Rel Buckle	\$250
<input type="checkbox"/>	ATS9407	E0960	Structured, Early Int - Side Rel Buckle	\$152
<input type="checkbox"/>	ATS9400	E0960	Structured, X-Small - Side Rel Buckle	\$152
<input type="checkbox"/>	ATS9401	E0960	Structured, Small - Side Rel Buckle	\$152
<input type="checkbox"/>	ATS9402	E0960	Structured, Medium - Side Rel Buckle	\$152
<input type="checkbox"/>	ATS9409	E0960	Structured, Custom - Side Rel Buckle	\$250
<input type="checkbox"/>	ATS8701	E0960	Dynamic, Small - Zipper	\$152
<input type="checkbox"/>	ATS8702	E0960	Dynamic, Medium - Zipper	\$152
<input type="checkbox"/>	ATS8709	E0960	Dynamic, Custom - Zipper	\$250

ANTERIOR TRUNK SUPPORTS – Y STYLE

<input type="checkbox"/>	ATS9167	E0960	Dynamic, Early Intervention	\$136
<input type="checkbox"/>	ATS9161	E0960	Dynamic, Small	\$136
<input type="checkbox"/>	ATS9162	E0960	Dynamic, Medium	\$136
<input type="checkbox"/>	ATS9169	E0960	Dynamic, Custom	\$250
<input type="checkbox"/>	ATS9367	E0960	Structured, Early Intervention	\$136
<input type="checkbox"/>	ATS9361	E0960	Structured, Small	\$136
<input type="checkbox"/>	ATS9362	E0960	Structured, Medium	\$136
<input type="checkbox"/>	ATS9369	E0960	Structured, Custom	\$250

ANTERIOR TRUNK SUPPORTS – BACK PACK STYLE

<input type="checkbox"/>	ATS9601	E0960	Dynamic, 12"	\$136
<input type="checkbox"/>	ATS9603	E0960	Dynamic, 18"	\$136
<input type="checkbox"/>	ATS9609	E0960	Dynamic, Custom	\$250
<input type="checkbox"/>	ATS9701	E0960	Structured, 12"	\$136
<input type="checkbox"/>	ATS9703	E0960	Structured, 18"	\$136
<input type="checkbox"/>	ATS9709	E0960	Structured, Custom	\$250

ANTERIOR TRUNK SUPPORTS – TRUNK STRAP

<input type="checkbox"/>	ATS4050	E0960	X-Small	\$141
<input type="checkbox"/>	ATS4000	E0960	Small	\$141
<input type="checkbox"/>	ATS4100	E0960	Medium	\$141
<input type="checkbox"/>	ATS4900	E0960	Custom	\$250

ANTERIOR TRUNK SUPPORTS – STRAP GUIDES

<input type="checkbox"/>	HDW6900		STRAP POSITIONER - EACH	\$35
--------------------------	---------	--	-------------------------	------

LOWER BODY POSITIONING

KNEE POSITIONING			
<input type="checkbox"/>	KPG10XX	E0953	Knee Pos Blocks, + Pullaway Hardware \$495
<input type="checkbox"/>	KPG19XX	E0953	Knee Pos Blocks, Custom + Hardware \$550
<input type="checkbox"/>	KAK31XXL	E0953/E1028	Knee Add PKG Swing Away Long L \$355
<input type="checkbox"/>	KAK31XXR	E0953/E1028	Knee Add PKG Swing Away Long R \$355
<input type="checkbox"/>	KAK21XXL	E0953/E1028	Knee Add PKG Swing Away Short L \$355
<input type="checkbox"/>	KAK21XXR	E0953/E1028	Knee Add PKG Swing Away Short R \$355
<input type="checkbox"/>	KAD10XX	E0953	Knee Adductor Pad 3" Round \$55
<input type="checkbox"/>	KAD11XX	E0953	Knee Adductor Pad 4" Round \$55
<input type="checkbox"/>	KAD19XX	E0953	Knee Adductor Pad Custom \$110
<input type="checkbox"/>	HDW4851	E1028	Knee Add brkt Swing Away Long L \$385
<input type="checkbox"/>	HDW4852	E1028	Knee Add brkt Swing Away Long R \$385
<input type="checkbox"/>	HDW4853	E1028	Knee Add brkt Swing Away Short L \$385
<input type="checkbox"/>	HDW4854	E1028	Knee Add brkt Swing Away Short R \$385

FOOT BOXES			
<input type="checkbox"/>	TST7014L	E0954	Single Foot Box, Std, 14" W/C (left leg) \$320
<input type="checkbox"/>	TST7014R	E0954	Single Foot Box, Std, 14" W/C (right leg) \$320
<input type="checkbox"/>	TST7016L	E0954	Single Foot Box, Std, 16" W/C (left leg) \$320
<input type="checkbox"/>	TST7016R	E0954	Single Foot Box, Std, 16" W/C (right leg) \$320
<input type="checkbox"/>	TST7018L	E0954	Single Foot Box, Std, 18" W/C (left leg) \$320
<input type="checkbox"/>	TST7018R	E0954	Single Foot Box, Std, 18" W/C (right leg) \$320
<input type="checkbox"/>	TST7114	E0954	Full Width Ft Box, Std, 14" W/C (1 pc) \$520
<input type="checkbox"/>	TST7116	E0954	Full Width Ft Box, Std, 16" W/C (1 pc) \$520
<input type="checkbox"/>	TST7118	E0954	Full Width Ft Box, Std, 18" W/C (1 pc) \$520

FLEXI FEET			
<input type="checkbox"/>	32600XS-RT	E0951/E0952	Flexi-Feet System Xtra Small - Pair \$215
<input type="checkbox"/>	32600S-RT	E0951/E0952	Flexi-Feet System Small - Pair \$215
<input type="checkbox"/>	32600M-RT	E0951/E0952	Flexi-Feet System Medium - Pair \$215
<input type="checkbox"/>	32600L-RT	E0951/E0952	Flexi-Feet System Large - Pair \$215

UPPER BODY POSITIONING

TRAYS			
<input type="checkbox"/>	WCT1005	E0950	Wooden Support Platform, X-Small \$240
<input type="checkbox"/>	WCT1000	E0950	Wooden Support Platform, Small \$240
<input type="checkbox"/>	WCT2000	E0950	Wooden Support Platform, Medium \$240
<input type="checkbox"/>	WCT3000	E0950	Wooden Support Platform, Large \$275
<input type="checkbox"/>	WCT4000	E0950	Wooden Support Platform, X-Large \$275
<input type="checkbox"/>	WCT5005	E0950	Lexan Support Platform, X-Small \$275
<input type="checkbox"/>	WCT5000	E0950	Lexan Support Platform, Small \$275
<input type="checkbox"/>	WCT6000	E0950	Lexan Support Platform, Medium \$275
<input type="checkbox"/>	WCT7000	E0950	Lexan Support Platform, Large \$285
<input type="checkbox"/>	WCT8000	E0950	Lexan Support Platform, X-Large \$285
<input type="checkbox"/>	WCT9000	E0950	Custom Support Platform \$520

PLATFORM ACCESSORIES			
<input type="checkbox"/>	TAC11XX		Platform Padding, Removable Cover \$320
<input type="checkbox"/>	TAC4100L		Joystick Cutout, Left \$65
<input type="checkbox"/>	TAC4100R		Joystick Cutout, Right \$65
<input type="checkbox"/>	TAC4150		Joystick Midline Cutout \$130
<input type="checkbox"/>	TAC4175		Platform Cutout, Custom \$70
<input type="checkbox"/>	THW6000		Strap with Release Buckle \$50

SHOE HOLDERS			
<input type="checkbox"/>	TST6001	E0951/E0952	Shoe Holder padded buckles Small \$71
<input type="checkbox"/>	TST6101	E0951/E0952	Shoe Holder padded buckles Medium \$71
<input type="checkbox"/>	TST6201	E0951/E0952	Shoe Holder padded buckles Large \$71
<input type="checkbox"/>	TST6000	E0951/E0952	Shoe Holder non-padded buckles Small \$64
<input type="checkbox"/>	TST6100	E0951/E0952	Shoe Holder non-padded buckles Med \$64
<input type="checkbox"/>	TST6200	E0951/E0952	Shoe Holder non-padded buckles Large \$64

SHOE HOLDERS with TENDON RELIEF			
<input type="checkbox"/>	TST6061	E0951/E0952	Shoe Holder padded buckles Small \$72
<input type="checkbox"/>	TST6161	E0951/E0952	Shoe Holder padded buckles Medium \$72
<input type="checkbox"/>	TST6261	E0951/E0952	Shoe Holder padded buckles Large \$72

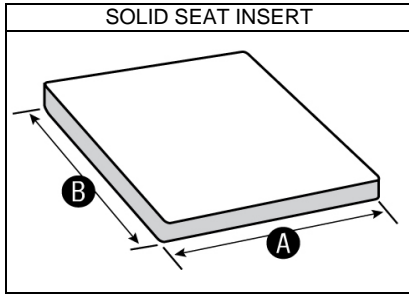
FOOT and ANKLE POSITIONING			
<input type="checkbox"/>	TST6510L	E0951/E0952	Foot & Ankle Positioner Small Left \$91
<input type="checkbox"/>	TST6510R	E0951/E0952	Foot & Ankle Positioner Small Right \$91
<input type="checkbox"/>	TST6520L	E0951/E0952	Foot & Ankle Positioner Medium Left \$91
<input type="checkbox"/>	TST6520R	E0951/E0952	Foot & Ankle Positioner Medium Right \$91
<input type="checkbox"/>	TST6540L	E0951/E0952	Foot & Ankle Positioner Large Left \$91
<input type="checkbox"/>	TST6540R	E0951/E0952	Foot & Ankle Positioner Large Right \$91

ANKLE POSITIONING			
<input type="checkbox"/>	TST6501L	E0951	Ankle Positioner Xtra Small Left \$71
<input type="checkbox"/>	TST6501R	E0951	Ankle Positioner Xtra Small Right \$71
<input type="checkbox"/>	TST6511L	E0951	Ankle Positioner Small Left \$71
<input type="checkbox"/>	TST6511R	E0951	Ankle Positioner Small Right \$71
<input type="checkbox"/>	TST6521L	E0951	Ankle Positioner Medium Left \$71
<input type="checkbox"/>	TST6521R	E0951	Ankle Positioner Medium Right \$71
<input type="checkbox"/>	TST6541L	E0951	Ankle Positioner Large Left \$71
<input type="checkbox"/>	TST6541R	E0951	Ankle Positioner Large Right \$71

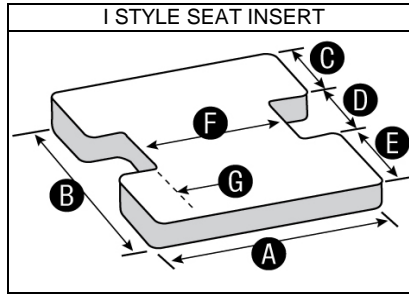
TRAY MOUNTING HARDWARE			
<input type="checkbox"/>	THW1000		Toggle Hardware \$60
<input type="checkbox"/>	THW2000		Slide Tube Hardware \$180
<input type="checkbox"/>	THW3000		Birch Runners \$40
<input type="checkbox"/>	THW3100		S-Style Runners, ABS \$40
<input type="checkbox"/>	THW3210		Slotted Channel Runners, ABS \$45
<input type="checkbox"/>	THW3700		Top Drop Platform \$120
<input type="checkbox"/>	THW4000		Cam Style Hardware \$45
<input type="checkbox"/>	THW4500		Angle-Cam Hardware \$60

NOTES			

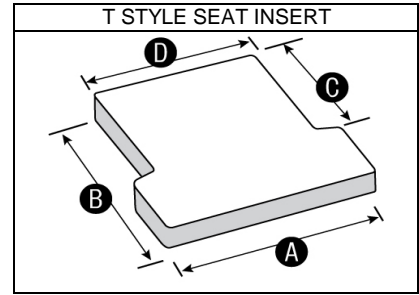
SEAT DIMENSIONS Specifications



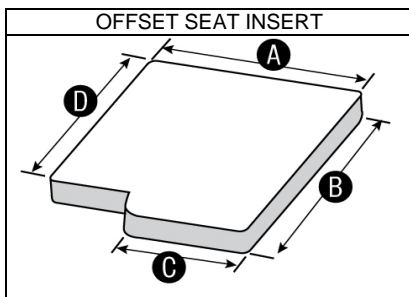
A	B
---	---



A	E
B	F
C	G
D	

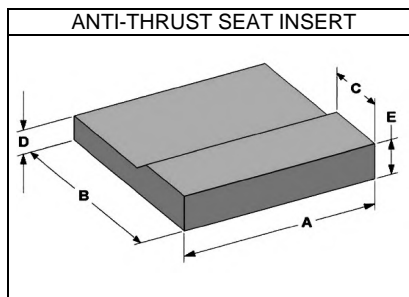


A	C
B	D

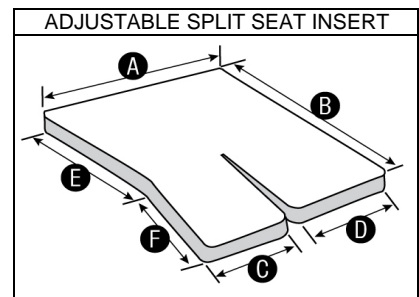


- Long Left Side
- Long Right Side

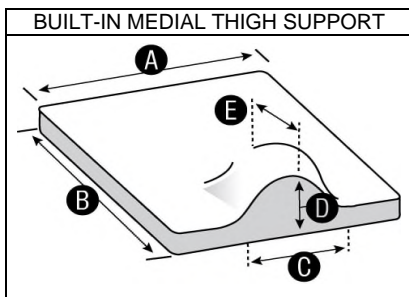
A	C
B	D



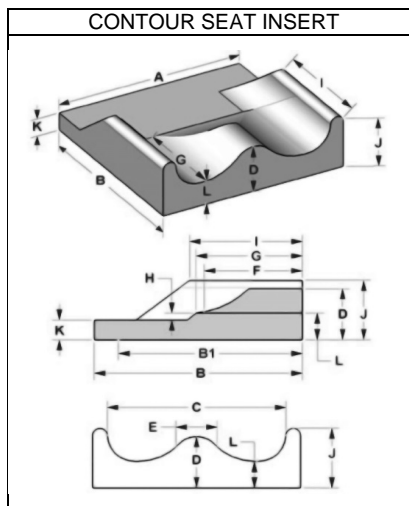
A	D
B	E
C	



A	D
B	E
C	F

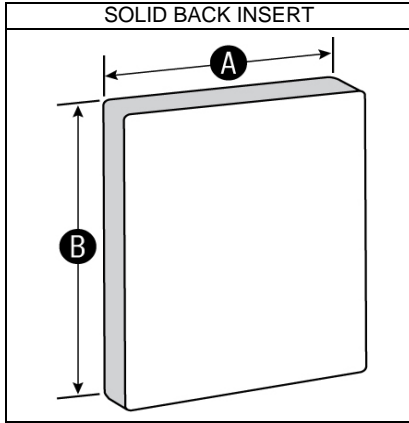


A	D
B	E
C	

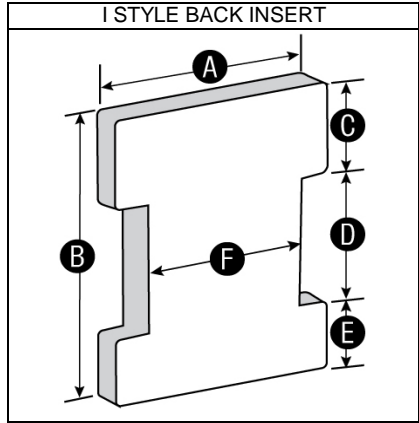


A	G
B	H
C	I
D	J
E	K
F	L

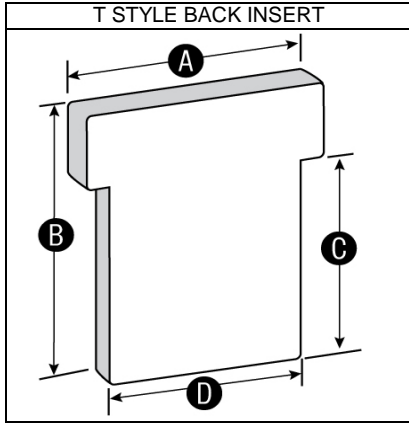
BACK DIMENSIONS Specifications



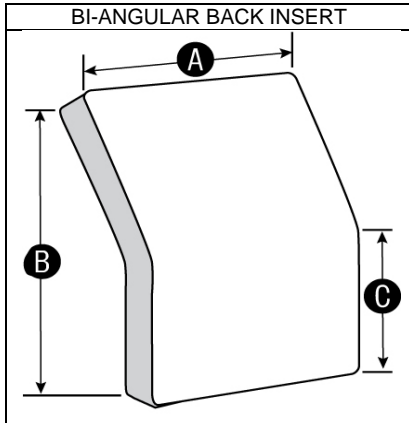
A		B	
---	--	---	--



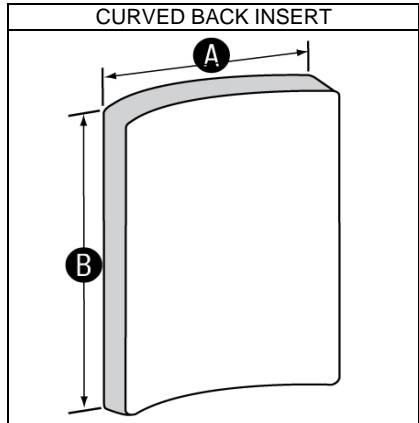
A		D	
B		E	
C		F	



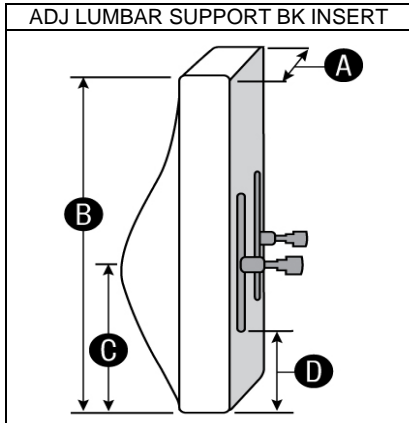
A		C	
B		D	



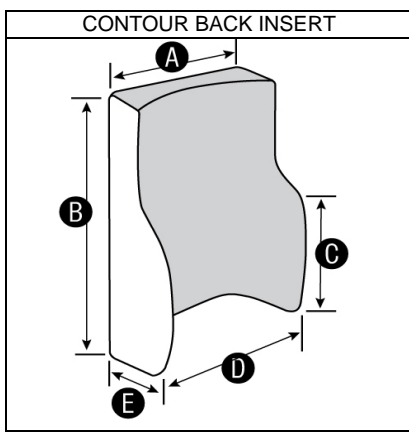
A		C	
B			



A		B	
---	--	---	--



A		C	
B		D	



A		D	
B		E	
C			



Sunrise Medical (US) LLC
 2842 Business Park Ave. · Fresno, CA 93727 · USA