



Quickie Shark

EISP5, Effective November 2012

ACCOUNT INFORMATION

Account No: _____

Date: _____

P.O. #: _____

Buyer: _____

Marked For: _____

Drop Ship/Ship To: _____

Name: _____

Address: _____

City: _____ State: _____

Zip Code: _____ Phone Number: _____

Quickie Shark

- | | | |
|----------------------------------|---|------------|
| <input type="checkbox"/> 157WM38 | Quickie Shark
<i>Only available with X-Link Fork</i> | \$4,745.00 |
|----------------------------------|---|------------|

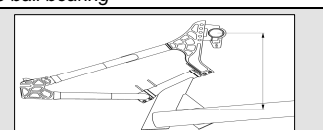
X-Link Fork Information

Easier access-
Raises seat 3.94" (10 cm) higher for transfers
Moves the crank 5.91" (15 cm) forward for transfers

Position Fork Mount

- | | | |
|----------------------------------|------------------------|----|
| <input type="checkbox"/> 157PZ01 | 15" Setting (38cm) | NC |
| <input type="checkbox"/> 157PZ02 | 15.75" Setting (40 cm) | NC |
| <input type="checkbox"/> 157PZ03 | 16.5" Setting (42 cm) | NC |
- w/adjustable ball bearing*

Position Fork Mount Diagram:
High Mount Fork Preset
@ 15.75" (40 cm)



FRAMES

Frame Color

- | | | |
|---------------------------------|---------------------|----|
| <input type="checkbox"/> 157C57 | Black | NC |
| <input type="checkbox"/> 157C94 | Tutti Frutti Orange | NC |
| <input type="checkbox"/> 157C95 | White RAL | NC |
| <input type="checkbox"/> 157C90 | Silver | NC |

Brilliant Colors:

- | | | |
|---------------------------------|------------------|----|
| <input type="checkbox"/> 157C73 | Brilliant Lime | NC |
| <input type="checkbox"/> 157C72 | Brilliant Marine | NC |
| <input type="checkbox"/> 157C74 | Brilliant Red | NC |
| <input type="checkbox"/> 157C76 | Brilliant Silver | NC |

Matte Colors:

- | | | |
|---------------------------------|--------------|----|
| <input type="checkbox"/> 157C68 | Matte Lime | NC |
| <input type="checkbox"/> 157C67 | Matte Marine | NC |
| <input type="checkbox"/> 157C63 | Matte Red | NC |
| <input type="checkbox"/> 157C62 | Matte Silver | NC |

Frame Length

- | | | |
|----------------------------------|--------------|----|
| <input type="checkbox"/> 157FL70 | X Link Frame | NC |
|----------------------------------|--------------|----|

Frame Length Notes:

Overall with:
20" Wheels 77.56" (197 cm)
26" Wheels 79.53" (202 cm)
without Rear Wheels 55.91" (142 cm)
without steering fork & wheels 41.34" (105 cm)
Transfer Seat Height 8.66" (22 cm)

CONTROL OPTIONS

Hand Crank

- | | | |
|---------------------------------|------------------------|----|
| <input type="checkbox"/> 157CK4 | Crank Standard V Crank | NC |
|---------------------------------|------------------------|----|

Handle Type

- | | | |
|----------------------------------|-----------------------|----|
| <input type="checkbox"/> 157HY11 | Vertical Handle Small | NC |
| <input type="checkbox"/> 157HY12 | Vertical Handle Std * | NC |

Hand Mount

- | | | |
|---------------------------------|-------------------|----|
| <input type="checkbox"/> 157HM6 | Handle Right Side | NC |
|---------------------------------|-------------------|----|

Control Notes:

Standard V Crank

6.89" (17.5 cm) long
19.29" (49 cm) wide (center to center of Handle)

Handle

Vertical Small and Std @ 15 Degree Diagonal

Brake

Parking Brake Std
Brake lever can be locked when brake is on

Speed

- | | | |
|---------------------------------|-----------------------|----|
| <input type="checkbox"/> 157SA4 | 3 X 9 Gear (27 speed) | NC |
|---------------------------------|-----------------------|----|

Speed Notes:

7 Speed with integral back-pedal brake
27 Speed with rim brake on left handle

FOOTNOTES:

¹ Only available with 7 Speed Option.

² Horizontal Handle with 7 Speed only available with Steering Fork
Right Side Hand Mount

SEATING

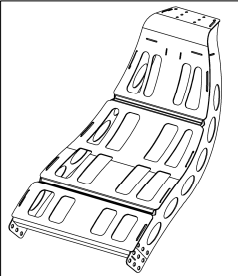
Seat Sling		
<input type="checkbox"/> 157SL1	Seat Sling Standard	NC

Seat Width		
<input type="checkbox"/> 157S34	14" Seat Width (36 cm)	NC
<input type="checkbox"/> 157S35	15.5" Seat Width (40 cm)	NC
<input type="checkbox"/> 157S36	17" Seat Width (44cm)	NC

BACKREST

Back Type		
<input type="checkbox"/> 157BT63	Standard Backrest	NC
	<i>Adjustable height & angle adjustable</i>	
<input type="checkbox"/> 157BT64	Folding Backrest	\$140.00
	<i>Medium Height, angle adjustable, quick release</i>	

Backrest Notes:
 Standard Backrest (shown on right)
 22.83" (58 cm) long
 Height and Angle Adjustable
 (30 to 90 degree)

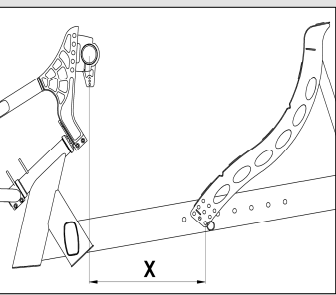


Fold Down Backrest
 22.83" (58 cm) long
 Uses Quick Release Pin and Retainer Ring for ease of adjustment

Backrest Position

<input type="checkbox"/> 157BQ07	Adj (10"-21.5") Preset @ 12"	NC
<i>select one</i>	<input type="checkbox"/> 25 <input type="checkbox"/> 30 <input type="checkbox"/> 35 <input type="checkbox"/> 40	

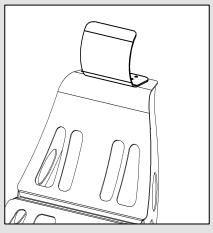
Backrest Position Diagram:
 Preset @ 12" (30.48 cm)



Neck Support

<input type="checkbox"/> 157NT01	Neck Support	\$125.00
----------------------------------	--------------	----------

Neck Support Diagram:
 Height and Depth Adjustable



FOOTREST

Footrest		
<input type="checkbox"/> 157F236	Adj Short (16"-31.5") (40-80 cm)	NC
<input type="checkbox"/> 157F237	Adj Long (27.5"-37.5") (70-95 cm)	NC

Footrest Notes:
 Adjustable Short (16"-31.5")
 Adjustable Long (27.5"-37.5")

WHEELS

Drive Wheel		
<input type="checkbox"/> 157DW34	26 X 1" Hi Perf, Black Durano	NC
<input type="checkbox"/> 157DW35	Omit Drive Wheel	-\$50.00

Rear Wheel Size		
<input type="checkbox"/> 157WS21	20" Wheel, Black Durano	NC
<input type="checkbox"/> 157WS18	26" Wheel Dt Rader, Black Durano	\$275.00
<input type="checkbox"/> 157WS20	Omit Rear Wheels	-\$55.00

Axle

<input type="checkbox"/> 157AX37	Threaded Axle	NC
<input type="checkbox"/> 157AX38	Quick Release Axle	NC

ACCESSORIES

Accessories Sports

<input type="checkbox"/> 157AZ01	Front Fender (26")	\$50.00
<input type="checkbox"/> 157AZ02	Rear Fender (20")	\$75.00
<input type="checkbox"/>	Rear Fender (26")	\$75.00
<input type="checkbox"/> 157AZ03	Front Headlight	\$50.00
<input type="checkbox"/> 157AZ04	Rear Light	\$50.00
<input type="checkbox"/> 157AZ05	Cushion W/Composite Foam	\$125.00
<input type="checkbox"/> 157AZ06	Waist Belt	\$125.00
<input type="checkbox"/> 157AZ08	Rear Bumper 20" Rear Wheels	\$150.00
<input type="checkbox"/> 157AZ09	Rear Bumper 26" Rear Wheels	\$150.00

HANDCYCLE TOTAL _____

Handling Charge²

<input type="checkbox"/> 157DC1	Standard Handling	NC
<input type="checkbox"/> 157DC2	Expedited Handling	\$895.00

TOTAL _____

FOOTNOTES:

¹ Must select Axle type

² Standard Handling is a combination of sea & ground freight

Expedited Handling is a combination of air & ground freight

Please contact Customer Service for manufacturing lead times.