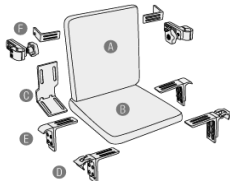



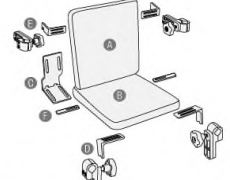
SEATING SYSTEMS PACKAGES (Seat & Back)

<input type="checkbox"/>	PKG10XX	E2609/E2617	Universal/E-Z Mount Seating Package	\$1,210
				
A	SBP10XX	Solid Back Insert		\$235
B	SSP10XX	Solid Seat Insert		\$180
C	HDW1025	Std Seat To Back brkt		\$200
D	HDW6850	1" EZ Mnt Brackets (2)	2x	\$85
E	HDW6853	Fixed EZ mnt brkts (2)	2x	\$70
F	HDW6820C	Unvrsl Back Clamp (2)	2x	\$110
F	HDW6823	Std Back L Bracket (2)		\$65

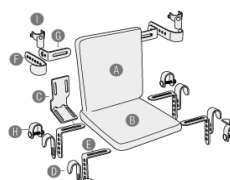
Note: Adjustment range up to 3" drop and up to 7" forward adjustment.
 Note: Seat to Back Brackets can limit adjustment range.
 Note: Please select tubing size required 3/4", 7/8", and 1".
 Note: Hardware change required if Curved Back (MOD5500/5501/5502) is selected.

<input type="checkbox"/>	PKG11XX	E2609/E2617	Universal Mount Seating Package	\$1,275
				
A	SBP10XX	Solid Back Insert		\$235
B	SSP10XX	Solid Seat Insert		\$180
C	HDW1025	Std Seat To Back brkt		\$200
D	HDW6810C	Unvrsl Seat Clamp (2)	2x	\$115
D	HDW6813	Std Seat L brkt (2)	2x	\$30
E	HDW6820C	Unvrsl Back Clamp (2)	2x	\$110
E	HDW6823	Std Back L Bracket (2)	2x	\$65
F	HDW6303	Std Seat Tabs (2)	2x	\$10

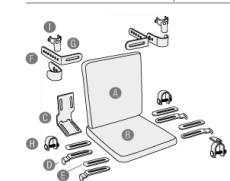
Note: Hardware change required if Curved Back (MOD5500/5501/5502) is selected.
 Note: When WC20 is added appropriate transit approved hardware must be selected.

<input type="checkbox"/>	PKG13XX	E2609/E2617	Universal Space-Saver Seating Package	\$1,265
				
A	SBP10XX	Solid Back Insert		\$235
B	SSP10XX	Solid Seat Insert		\$180
C	HDW1025	Std Seat To Back brkt		\$200
D	HDW6820C	Unvrsl Back Clamp (2)	2x	\$110
D	HDW6813	Std Back L brkt (2)	2x	\$30
E	HDW6820C	Unvrsl Back Clamp (2)	2x	\$110
E	HDW6823	Std Back L Bracket (2)	2x	\$65
F	HDW6303	Std Seat Tabs (2)	2x	\$10

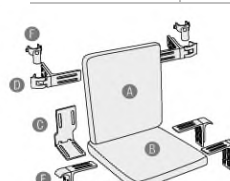
Note: Hardware change required if Curved Back (MOD5500/5501/5502) is selected.
 Note: Please select tubing size required 3/4", 7/8", and 1".
 Note: When WC20 is added appropriate transit approved hardware must be selected.

<input type="checkbox"/>	PKG20XX	E2609/E2617	Adj "J" Hook Bracket Seating Package	\$839
				
A	SBP10XX	Solid Back Insert		\$235
B	SSP10XX	Solid Seat Insert		\$180
C	HDW1025	Std Seat To Back brkt		\$200
D	HDW6230	2 Hole J Hook (4)	4x	\$15
E	HDW6150	5 Hole L brkt (4)	4x	\$17
F	HDW6236	6 Hole J Hook 1" (2)	2x	\$14
G	HDW6120	2 Hole L brkt (2)	2x	\$15
H	HDW6430	Seat Stop (2)		\$19
I	HDW6465	Stop w/ Rotatn Hold (2)		\$19

Note: Hardware change required if Curved Back (MOD5500/5501/5502) is selected.
 Note: Between rail or full width back option available.
 Note: X-Brace cut out may need to be added (MOD4175) additional charges will apply.
 Note: Please select tubing size required 3/4", 7/8", 1", 1-1/8", or Xcape Tubing.

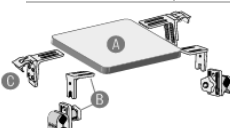
<input type="checkbox"/>	PKG23XX	E2609/E2617	Ind Adj "J" Hook brkt Seating Package	\$847
				
A	SBP10XX	Solid Back Insert		\$235
B	SSP10XX	Solid Seat Insert		\$180
C	HDW1025	Std Seat To Back brkt		\$200
D	HDW6300	Flush Hooks (4)	4x	\$13
E	HDW6310	Spacer (4)	4x	\$10
F	HDW6230	2 Hole J Hook (2)	2x	\$15
G	HDW6170	7 Hole L brkt (2)	2x	\$17
H	HDW6430	Seat Stop (2)	2x	\$19
I	HDW6465	Stop w/ Rotatn Hold (2)	2x	\$19

Note: Hardware change required if Curved Back (MOD5500/5501/5502) is selected.
 Note: Between rail or full width back option available.
 Note: Please select tubing size required 3/4", 7/8", 1", 1-1/8", or Xcape Tubing.

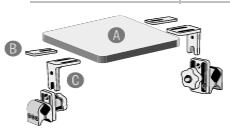
<input type="checkbox"/>	PKG30XX	E2609/E2617	E-Z Mount Seating Package	\$1,114
				
A	SBP10XX	Solid Back Insert		\$235
B	SSP10XX	Solid Seat Insert		\$180
C	HDW1025	Std Seat To Back brkt		\$200
D	HDW6850	EZ Mnt w brkt (4)	4x	\$85
E	HDW6853	EZ Mnt Fix brkt (2)	2x	\$70
F	HDW6465	Stop w/ Rotating Hold (2)		\$19

Note: Please select tubing size required 3/4", 7/8", and 1".
 Note: Curved back (MOD5501/MOD5502) use HDW6856.
 Note: Seat hardware accommodates up to 1-1/4" drop adjustment.
 Note: Back hardware accommodates up to 1-3/8" forward adjustment.

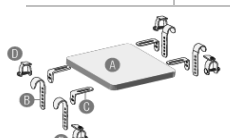
SEAT PACKAGES

<input type="checkbox"/>	SSK10XX	E2609	Universal / E-Z Mount Seat Package	\$640
				
A	SSP10XX	Solid Seat Insert		\$180
B	HDW6810C	Unvrsl Seat Clamp (2)	2x	\$115
B	HDW6813	Std Back L brkt (2)	2x	\$30
C	HDW6850	1" EZ Mount brkts (2)	2x	\$85

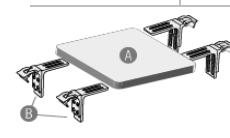
Note: When WC20 is added appropriate transit approved hardware must be selected.

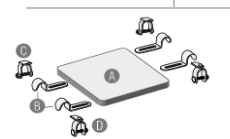
<input type="checkbox"/>	SSK17XX	E2609	Universal Mount Seat Package	\$490
				
A	SSP10XX	Solid Seat Insert		\$180
B	HDW6303	Std Seat Tabs (2)	2x	\$10
C	HDW6810C	Unvrsl Seat Clamp (2)	2x	\$115
C	HDW6813	Std Back L brkt (2)	2x	\$30

Note: Configured to be ordered with SBK17XX.
 Note: When WC20 is added appropriate transit approved hardware must be selected.
 Note: MOD4800 Seat Rail Foam Overlay not available with Transport Option.

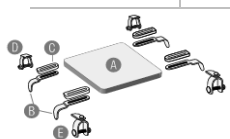
<input type="checkbox"/>	SSK20XX	E2609	Adj "J" Hook & Rotate Hold Seat Package	\$276
				
A	SSP10XX	Solid Seat Insert		\$180
B	HDW6236	6 Hole J Hook 1" (2)	2x	\$14
C	HDW6120	2 Hole L brkt (2)	2x	\$15
D	HDW6460	Stop w/ Fixed Hold (2)		\$19
E	HDW6465	Stop w/ Rotating Hold (2)		\$19

Note: Optional Full width option available Via 2 Hole J Hook and 5 Hole L Bracket.
 Note: MOD4175 Mid-seat Cutout for X-Braces is included.

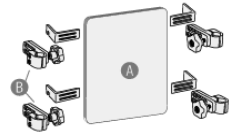
<input type="checkbox"/>	SSK30XX	E2609	E-Z Mount Seat Package	\$520
				
A	SSP10XX	Solid Seat Insert		\$180
B	HDW6850	1" EZ Mount brkts (4)	4x	\$85

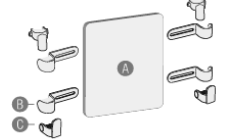
<input type="checkbox"/>	SSK50XX	E2609	Drop Hook & Rotate Hold Seat Package	\$258
				
A	SSP10XX	Solid Seat Insert		\$180
B	HDW6725	1-1/2" Drop Hks (4)	4x	\$10
C	HDW6460	Stop w/ Fixed Hold (2)		\$19
D	HDW6465	Stop w/ Rotating Hold (2)		\$19

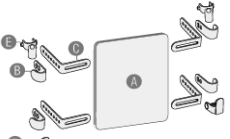
Note: 1-1/2" drop is standard, specify if other is required.

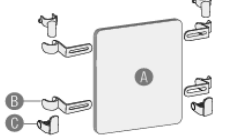
<input type="checkbox"/>	SSK55XX	E2609	Flush Hook & Rotate Hold Package	\$310
				
A	SSP10XX	Solid Seat Insert		\$180
B	HDW6300	Flush Hooks (4)	4x	\$13
C	HDW6310	Spacer (4)	4x	\$10
D	HDW6460	Stop w/ Fixed Hold (2)		\$19
E	HDW6465	Stop w/ Rotating Hold (2)		\$19

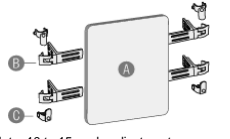
BACK PACKAGES

<input type="checkbox"/>	SBK10XX	E2617	Universal Mount Back Package	\$805
				
	A	SBP10XX	Solid Back Insert	\$235
	B	HDW6820C	Unvrsl Back Clamp (4)	4x \$110
	B	HDW6823	Std Back L brkt (4)	2x \$65
<p>Note: Up to 3" rear adjustment</p> <p>Note: Up to 7" forward adjustment can be attained by reversing orientation of clamp bracket (B).</p> <p>Note: When WC20 is added appropriate transit approved hardware must be selected.</p>				

<input type="checkbox"/>	SBK12XX	E2617	Drop Hook & Fixed Holds(Between)	\$313
				
	A	SBP10XX	Solid Back Insert	\$235
	B	HDW6725	1-1/2" Drop Hks (4)	4x \$10
	C	HDW6460	Stop w/ Fixed Hold (4)	2x \$19
<p>Note: Mounts between back uprights.</p> <p>Note: Not recommended for use with CURVED Wood backs, please use MOD5530 Curved Foam.</p> <p>Note: Standard hardware has 1-1/2" drop. Specify if other is required.</p>				

<input type="checkbox"/>	SBK20XX	E2617	Adj "J" Hook & Fixed/Rotate Hold	\$401
				
	A	SBP10XX	Solid Back Insert	\$235
	B	HDW6230	2 Hole J Hook (4)	4x \$15
	C	HDW6170	7 Hole L brkt (4)	4x \$17
	D	HDW6460	Stop w/ Fixed Hold (2)	\$19
	E	HDW6465	Stop w/ Rotate Hold (2)	\$19
<p>Note: Std 7-Hole L brkt allows for up to 1" drop and up to 1-1/2" forward adjustment & mnts forward of back uprights.</p> <p>Note: Optional between uprights available (6-Hole J-Hook allows for drop range: 7/8" up to 3")</p> <p>Note: If ordering a Curved back (MOD5500) switch bracket to 110 degree (HDW6175), or use Curved Foam (MOD5530) instead.</p>				

<input type="checkbox"/>	SBK24XX	E2617	Mount Hook & Fixed Hold (Forward)	\$385
				
	A	SBP10XX	Solid Back Insert	\$235
	B	HDW6331	Mnting Hk 1" Lift (4)	4x \$28
	C	HDW6460	Stop w/ Fixed Hold (4)	2x \$19
<p>Note: Mounts forward of back uprights.</p> <p>Note: Standard 1" of Lift</p> <p>Note: Not recommended for use with CURVED backs, please use MOD5530 Curved Foam.</p>				

<input type="checkbox"/>	SBK25XX	E2617	E-Z Mount Back Package	\$443
				
	A	SBP10XX	Solid Back Insert	\$235
	B	HDW6850	EZ Mnt w brkt (4)	2x \$85
	C	HDW6465	Stop w/ Rotate Hold (4)	2x \$19
<p>Note: 10 to 15 angle adjustment</p> <p>Note: Up to 1-3/8" drop and forward adjustment</p> <p>Note: Clamp accommodates 7/8" or 1" diameter W/C tubes.</p> <p>Note: Not available for use with CURVED backs, please use MOD5530 Curved Foam.</p>				

SEATING SYSTEM TRANSIT OPTION			
<input type="checkbox"/>	MODWC20	TRANSIT OPTION HARDWARE	\$205

SEAT MODIFICATIONS

SEAT MODIFICATIONS – STRUCTURAL

<input type="checkbox"/>	MOD4075	Two Piece Cushion & Base Seat	\$150
<input type="checkbox"/>	MOD4150	Notches for Back Posts 2" X 2"	N/C
<input type="checkbox"/>	MOD4153	Notches for Back Posts 3" deep	N/C
<input type="checkbox"/>	MOD4155	Notches Frnt Hngrs (Wood Only)	N/C
<input type="checkbox"/>	MOD4159	Notches Back Post, Seat, Cus	\$35
<input type="checkbox"/>	MOD4170	Sub 1/2" Plastitech Seat	\$35
<input type="checkbox"/>	MOD4175	Mid Seat Cutout for X-Brace	\$100
<input type="checkbox"/>	MOD4200L	Offset Seat, Long on Left side	\$100
<input type="checkbox"/>	MOD4200R	Offset Seat, Long on Right side	\$100
<input type="checkbox"/>	MOD4300	T-style Seat	\$110
<input type="checkbox"/>	MOD4400	Anti-Thrust Seat	\$165
<input type="checkbox"/>	MOD4450	Quick-Fit Anti-Thrust Seat	\$385
<input type="checkbox"/>	MOD4460	Wedge Seat	\$170
<input type="checkbox"/>	MOD4500	Cubed Seat (2"x2"x2" HR foam)	\$385
<input type="checkbox"/>	MOD4525	Custom Cubes, Seat	\$450
<input type="checkbox"/>	MOD4600	E2294 Contour Seat	\$325
<input type="checkbox"/>	MOD4605	Leg Trough Cut Into Seat	\$125
<input type="checkbox"/>	MOD4611	Contoured Mod w/Pel Well Mild	\$325
<input type="checkbox"/>	MOD4612	Contoured Mod w/Pel Well Med	\$325
<input type="checkbox"/>	MOD4613	Contoured Mod w/Pel Well Aggr	\$325
<input type="checkbox"/>	MOD4614	Contoured Mod w/Pel Well Cust	\$325
<input type="checkbox"/>	MOD4630	Quick-Fit Contoured Seat	\$500
<input type="checkbox"/>	MOD4640L	Lateral Reinforcement, Seat, Left	\$100
<input type="checkbox"/>	MOD4640R	Lateral Reinforcement, Seat, Right	\$100
<input type="checkbox"/>	MOD4650	Substitute ABS for Multi-Ply in Seat	\$135
<input type="checkbox"/>	MOD4655L	Belt Strap Notches, Seat, Left	\$22
<input type="checkbox"/>	MOD4655R	Belt Strap Notches, Seat, Right	\$22
<input type="checkbox"/>	MOD4700	Built-in Medial Thigh Support	\$195
<input type="checkbox"/>	MOD4725	Contour Lateral Adductor	\$195
<input type="checkbox"/>	MOD4800	Seat Rail Foam Overlay	\$120
<input type="checkbox"/>	MOD4825	Seat - Front Edge Bevel Undercut	\$120
<input type="checkbox"/>	MOD4850L	Pelvic Obliquity Addition (Up to 1") Left	\$135
<input type="checkbox"/>	MOD4850R	Pelvic Obliquity Addition (Up to 1") Right	\$135
<input type="checkbox"/>	MOD4900	Adjustable Split Seat	\$450
<input type="checkbox"/>	MOD5000	I-Style Seat	\$110
<input type="checkbox"/>	MOD5700	Substitute 3/4" Multi-Ply for 1/2"	\$65
<input type="checkbox"/>	MOD6827	No Seat Cushion	NC
<input type="checkbox"/>	MOD6828	Add Folding Hinge Bracket	\$120
<input type="checkbox"/>	MOD6860L	Seat Mount L Bracket, TRANS, L	\$28
<input type="checkbox"/>	MOD6860R	SEAT MOUNT L brkt, TRANS, R	\$28
<input type="checkbox"/>	MOD6861L	SEAT MOUNT L brkt, TRANS, SH/L	\$28
<input type="checkbox"/>	MOD6861R	SEAT MOUNT L brkt, TRANS, SH/R	\$28
<input type="checkbox"/>	MOD8000	Omit T-Nuts	N/C
<input type="checkbox"/>	MOD9050	Oversize, over 20" up to 24"	\$70
<input type="checkbox"/>	MOD9075	Oversize, over 24" up to 28"	\$100

SEAT MODIFICATIONS - UPHOLSTERY

<input type="checkbox"/>	MOD4125	Attaching Strips, Bottom, Loop (STD)	\$35
<input type="checkbox"/>	MOD4125H	Attaching Strips, Bottom, Hook	\$35
<input type="checkbox"/>	MOD4126	Attaching Strips, Top, Hook	\$35
<input type="checkbox"/>	MOD4130	Non-Skid Added to Bottom	\$45
<input type="checkbox"/>	MOD4131	Non-Skid Added to Top	\$45
<input type="checkbox"/>	MOD5120	Add Velcro Closure, Custom	\$135
<input type="checkbox"/>	MOD5130	Add Synthetic Sheepskin Cover, Beige	\$165
<input type="checkbox"/>	MOD5150	Incontinent Film Covering	\$90
<input type="checkbox"/>	MOD5192	Add Zip Seat Top Face Only	\$120
<input type="checkbox"/>	MOD5600	Sewn Positioning Strap Slot (Pair)	\$100

SEAT MODIFICATIONS - FOAM

<input type="checkbox"/>	MOD0050	Omit Foam in Seat	N/C
HR FOAM			
<input type="checkbox"/>	MOD1005	1/2" HR Foam in Seat	N/C
<input type="checkbox"/>	MOD1100	1" HR Foam in Seat	N/C
<input type="checkbox"/>	MOD1150	1-1/2" HR Foam in Seat	N/C
<input type="checkbox"/>	MOD1200	2" HR Foam in Seat	\$30
<input type="checkbox"/>	MOD1300	3" HR Foam in Seat	\$45
PUDGEE FOAM			
<input type="checkbox"/>	MOD1405	Additional 1/2" Pudgee Foam in Seat	\$165
<input type="checkbox"/>	MOD1400	1" Pudgee Foam in Seat	\$245
<input type="checkbox"/>	MOD1495	1" Pudgee Foam Partial Insert	\$180
T FOAM			
<input type="checkbox"/>	MOD1605	1/2" T-Foam in Seat	\$55
<input type="checkbox"/>	MOD1600	1" T-Foam in Seat	\$95
<input type="checkbox"/>	MOD1615	1-1/2" T-Foam in Seat	\$110
<input type="checkbox"/>	MOD1700	2" T-Foam in Seat	\$135
SUNMATE FOAM			
<input type="checkbox"/>	MOD1805	1/2" SunMate Foam in Seat	\$40
<input type="checkbox"/>	MOD1800	1" SunMate Foam in Seat	\$75
<input type="checkbox"/>	MOD1815	1-1/2" SunMate Foam in Seat	\$100
<input type="checkbox"/>	MOD1900	2" SunMate Foam in Seat	\$115
<input type="checkbox"/>	MOD1816	1/2" SSM over 1" MSM Foam In seat	\$100
<input type="checkbox"/>	MOD1817	1" SSM over 1/2" MSM Foam in Seat	\$100
JAY FLOW FLUID			
<input type="checkbox"/>	MOD1505	Pressure Relief Pads/Ischial	\$235
GEL			
<input type="checkbox"/>	MOD1500	5/8" Gel over 1-1/2" HR Foam in Seat	\$210
<input type="checkbox"/>	MOD1525	1/2" Cubed Gel over 1-1/2" HR Foam St	\$245
<input type="checkbox"/>	MOD1595	5/8" Gel Partial Insert	\$165
STIMULITE HONEYCOMB			
<input type="checkbox"/>	MOD1185	1/2" Stimulite Honeycomb, Seat	\$195
<input type="checkbox"/>	MOD1180	1" Stimulite Honeycomb, Seat	\$245
<input type="checkbox"/>	MOD1195	Partial Stimulite Honeycomb, Insert	\$195

ADDITIONAL SEAT COVERS

<input type="checkbox"/>	COV4100	Additional Zippered Cover, Flat, Std	\$120
<input type="checkbox"/>	COV4109	Additional Zippered Cover, Custom	\$165
<input type="checkbox"/>	COV4110	Additional Slip Over Cover, Flat, Std	\$120
<input type="checkbox"/>	COV4119	Additional Slip Over Cover, Custom	\$165
<input type="checkbox"/>	COV99XX	Additional Zippered Cover Foam Form	\$450

BACK MODIFICATIONS

BACK MODIFICATIONS – STRUCTURAL

<input type="checkbox"/>	MOD1045	Adj Offset Hinge, Wide in Pkg	\$75
<input type="checkbox"/>	MOD1055	Adj Offset Hinge, Ped in Pkg	\$75
<input type="checkbox"/>	MOD5075	2 Piece Cush & Base Back (1/2" Wood)	\$155
<input type="checkbox"/>	MOD5125	Add Hook/Loop Closure Back	\$130
<input type="checkbox"/>	MOD5170	Sub 1/2" Plastitech Back	\$35
<input type="checkbox"/>	MOD5180	Foam Form Back	\$450
<input type="checkbox"/>	MOD5194	Cen & Top Edge Zip Hidn Back	NC
<input type="checkbox"/>	MOD5200	I-Style Back	\$115
<input type="checkbox"/>	MOD5300	T-Style Back	\$115
<input type="checkbox"/>	MOD5425	Half-Round Lumbar Roll - Internal	\$160
<input type="checkbox"/>	MOD5426	Half-Round Lumbar Roll w/ Strap	\$160
<input type="checkbox"/>	MOD5450	Adj Angle Bi-Angular Back w/ 2 brkts	\$330
<i>Not Available with Curved wood</i>			
<input type="checkbox"/>	MOD5451	Adj Angle Bi-Angular Back w/ 1 brkt	\$220
<input type="checkbox"/>	MOD5452	Adj Bi-Ang Back 2 Piece cover	\$450
<input type="checkbox"/>	MOD5455	Sub 1/2" Plastitech Base & Cush, Back	\$60
<input type="checkbox"/>	MOD5460	Adjustable Lumbar Back 5.5" Adj Range	\$360
<input type="checkbox"/>	MOD5462	Adjustable Lumbar Back 7.5" Adj Range	\$360
<input type="checkbox"/>	MOD5475	Revers Bi-Angular Back - Fixed	\$195
<input type="checkbox"/>	MOD5500	Curved Back	\$160
<input type="checkbox"/>	MOD5501	Curved Back, w/ 2 hinged L brkts	\$195
<input type="checkbox"/>	MOD5502	Curved Back, w/ 4 Hinged L brkts	\$215
<input type="checkbox"/>	MOD5510	Curved Lateral Thor Pad Mod	\$19
<input type="checkbox"/>	MOD5530	Curved Foam Addition to Flat Back	\$125
<input type="checkbox"/>	MOD5550	Cubed Back (2"x2"x2" HR foam)	\$370
<input type="checkbox"/>	MOD5575	Custom Cubes, Back	\$450
<input type="checkbox"/>	MOD5600	Sewn Anterior Position Strap Slots (PR)	\$100
<input type="checkbox"/>	MOD5605	T-Nut For Strap Pos Hdw	NC
<input type="checkbox"/>	MOD5610	Shoulder Strap Mnt Through Back	\$130
<input type="checkbox"/>	MOD5620	Attaching Tie W/Velcro Back	\$23
<input type="checkbox"/>	MOD5621	Attaching Tie W/ Snaps Back	\$22
<input type="checkbox"/>	MOD5622	Attaching Ties Loops Back	\$22
<input type="checkbox"/>	MOD5650	Substitute ABS (1/2") for Multi-Ply in Back	\$165
<input type="checkbox"/>	MOD5700	Replace 3/4" Multi-Ply with 1/2"	\$65
<input type="checkbox"/>	MOD5705	Replace 1/2" Multi-Ply with 3/4"	\$65
<input type="checkbox"/>	MOD5800	Contour Back	\$275
<input type="checkbox"/>	MOD5801	Quick-Fit Contour/Bi-Angular Back	\$550
<input type="checkbox"/>	MOD5802	Quick-Fit Contour Back Only	\$450
<input type="checkbox"/>	MOD5804	Contour Fixed Lumbar Wedge	\$175
<input type="checkbox"/>	MOD5835	Harn's Strap Notches, Top Edge of Back	\$90
<input type="checkbox"/>	MOD5849	ABS back with side walls Back	\$250
<input type="checkbox"/>	MOD5850	Scapular Contour Cutout, Back	\$170
<input type="checkbox"/>	MOD5855	Top Edge Angle Cut, Back	\$100
<input type="checkbox"/>	MOD5860	Large Radius Corners For Back	NC
<input type="checkbox"/>	MOD8100	Omit T-Nuts, Back	N/C
<input type="checkbox"/>	MOD9150	Oversize, over 20" up to 24"	\$75
<input type="checkbox"/>	MOD9175	Oversize, over 24" up to 28"	\$110

BACK MODIFICATIONS – UPHOLSTERY

<input type="checkbox"/>	MOD5115	Add Faux Sheepskin to Back Cus	\$200
<input type="checkbox"/>	MOD5135	Add Synthetic Sheepskin Cover, Beige	\$165
<input type="checkbox"/>	MOD5125	Add Velcro Closure, Custom	\$130
<input type="checkbox"/>	MOD5127	Privacy Flap 12" Long	\$100
<input type="checkbox"/>	MOD5165	Removable top Cover Zipper at Center	\$135
<input type="checkbox"/>	MOD5610	Shoulder Strap Mounting Grommets	\$130
<input type="checkbox"/>	MOD5620	Attaching Ties for Back, Velcro	\$23
<input type="checkbox"/>	MOD5621	Attaching Ties for Back, Snaps	\$22
<input type="checkbox"/>	MOD5900	Monogram Back, Block	N/C
<input type="checkbox"/>	MOD5901	Monogram Back, Script	N/C
<input type="checkbox"/>	MOD5902	Monogram Stock Design	N/C
<input type="checkbox"/>	MOD5909	Monogram Back, Custom	Quote

BACK MODIFICATIONS – FOAM

<input type="checkbox"/>	MOD0055	Omit Foam in Back	N/C	
HR FOAM				
<input type="checkbox"/>	MOD2005	1/2" HR Foam in Back	NC	
<input type="checkbox"/>	MOD2100	1" HR Foam in Back	NC	
<input type="checkbox"/>	MOD2150	1-1/2" HR Foam in Back	NC	
<input type="checkbox"/>	MOD2200	2" HR Foam in Back	\$30	
<input type="checkbox"/>	MOD2300	3" HR Foam in Back	\$50	
PUDGEE FOAM				
<input type="checkbox"/>	MOD2400	1" Pudgee Foam in Back	\$230	
<input type="checkbox"/>	MOD2405	Additional 1/2" Pudgee Foam in Back	\$165	
<input type="checkbox"/>	MOD2495	1" Partial Pudgee Foam in Back	\$180	
T FOAM				
<input type="checkbox"/>	MOD2605	1/2" T-Foam in Back	\$55	
<input type="checkbox"/>	MOD2600	1" T-Foam in Back	\$95	
<input type="checkbox"/>	MOD2615	1-1/2" T-Foam in Back	\$110	
<input type="checkbox"/>	MOD2700	2" T-Foam in Back	\$130	
SUNMATE FOAM				
<input type="checkbox"/>	MOD2805	1/2" SunMate in Back	\$40	
<input type="checkbox"/>	MOD2800	1" SunMate Foam in Back	\$85	
<input type="checkbox"/>	MOD2815	1-1/2" SunMate in Back	\$95	
<input type="checkbox"/>	MOD2900	2" SunMate Foam in Back	\$120	
<input type="checkbox"/>	MOD2801	1/2" SSM OVER 1/2" MSM, BACK	\$85	
<input type="checkbox"/>	MOD2804	1" SSM OVER 1/2" HR FOAM, BACK	\$85	
JAY FLOW FLUID				
<input type="checkbox"/>	MOD2505	SPINAL PRESSURE RELIEF PAD	\$335	
GEL				
<input type="checkbox"/>	MOD2500	5/8" Gel & 1" HR Foam in Back	\$220	
<input type="checkbox"/>	MOD2595	5/8" Gel Partial & 1" HR Foam in Back	\$180	
STIMULITE HONEYCOMB				
<input type="checkbox"/>	MOD2185	1/2" Stimulite in Back	\$180	
<input type="checkbox"/>	MOD2180	1" Stimulite in Back	\$260	
<input type="checkbox"/>	MOD2195	Partial Stimulite in Back	\$175	
FOAM-IN-PLACE				
<input type="checkbox"/>	MOD5180	Foam-in-Place BACK Soft	\$450	
BACK MODIFICATIONS - INTERNAL				
<input type="checkbox"/>	FTK10XX	E0956	Thrcic Support Kit Foam Form 5"Hx5"D	\$300
<input type="checkbox"/>	FTK11XX	E0956	Thrcic Support Kit Foam Form 7"Hx5"D	\$360
<input type="checkbox"/>	FTK12XX	E0956	Thrcic Support Kit Foam Form 9"Hx6"D	\$275
<input type="checkbox"/>	FTK13XX	E0956	Thrcic Support Kit Foam Form 11"Hx7"D	\$300
<input type="checkbox"/>	FTK19XX		Thrcic Support Kit, Foam Form, Custom	\$380

ADDITIONAL BACK COVERS

<input type="checkbox"/>	COV5100	Additional Zippered Cover, Flat, Std	\$125
<input type="checkbox"/>	COV5109	Additional Zippered Cover, Custom	\$175
<input type="checkbox"/>	COV5110	Additional Slip Over Cover, Flat, Std	\$125
<input type="checkbox"/>	COV5119	Additional Slip Over Cover, Custom	\$175
<input type="checkbox"/>	COV99XX	Add Zipper Cover Foam-in-place	\$450

LATERAL THORACIC SUPPORTS

LATERAL THORACIC SUPPORT PACKAGES				
<input type="checkbox"/>	LTK22XX	E0956	Std profile bracket - Flat Pad - Each	\$125
	<input type="checkbox"/> Left		<input type="checkbox"/> Right <input type="checkbox"/> Pair	
<input type="checkbox"/>	LTK23XX	E0956	Std profile bracket - Curved Pad - Each	\$175
	<input type="checkbox"/> Left		<input type="checkbox"/> Right <input type="checkbox"/> Pair	
<input type="checkbox"/>	LTK24XX	E0956	Med/High profile brkt - Flat Pad - Each	\$160
	<input type="checkbox"/> Left		<input type="checkbox"/> Right <input type="checkbox"/> Pair	
<input type="checkbox"/>	LTK25XX	E0956/E1028	E-Z Access SA brkt - Flat Pad - Each	\$325
	<input type="checkbox"/> Left		<input type="checkbox"/> Right <input type="checkbox"/> Pair	
<input type="checkbox"/>	LTK27XX	E0956/E1028	E-Z Access SA brkt - Crvd Pad - Each	\$335
	<input type="checkbox"/> Left		<input type="checkbox"/> Right <input type="checkbox"/> Pair	
<input type="checkbox"/>	LTK30XX	E0956/E1028	E-Z Access SA w/ Frnt Adj - Flat - Each	\$370
	<input type="checkbox"/> Left		<input type="checkbox"/> Right <input type="checkbox"/> Pair	
<input type="checkbox"/>	LTK34XX	E0956	Lat Thor W/ Fixed MOD brkt -Flat-Each	\$245
	<input type="checkbox"/> Left		<input type="checkbox"/> Right <input type="checkbox"/> Pair	
<input type="checkbox"/>	LTK35XX	E0956/E1028	Rear Quick Adjust (RQA) brkt -Flat- Each	\$325
	<input type="checkbox"/> Left		<input type="checkbox"/> Right <input type="checkbox"/> Pair	
<input type="checkbox"/>	LTK37XX	E0956/E1028	E-Z Access & RQA brkt -Flat- Each	\$375
	<input type="checkbox"/> Left		<input type="checkbox"/> Right <input type="checkbox"/> Pair	
<input type="checkbox"/>	LTK40XX	E0956	Reverse Offset (1.5") brkt -Flat- Each	\$195
	<input type="checkbox"/> Left		<input type="checkbox"/> Right <input type="checkbox"/> Pair	
<input type="checkbox"/>	LTK45XX	E0956/E1028	Lat Thor w/ Removable brkt -Flat- Each	\$300
	<input type="checkbox"/> Left		<input type="checkbox"/> Right <input type="checkbox"/> Pair	
<input type="checkbox"/>	LTK47XX	E0956/E1028	Removable & RQA brkt -Flat- Each	\$360
	<input type="checkbox"/> Left		<input type="checkbox"/> Right <input type="checkbox"/> Pair	

LATERAL THORACIC SUPPORT MODIFICATIONS				
<input type="checkbox"/>	MOD2550		1/4" Gel in Thoracic Support	\$45
<input type="checkbox"/>	MOD2650		1/2" T-Foam in Thoracic Support	\$35
<input type="checkbox"/>	MOD2750		1/2" Pudgee in Thoracic Support	\$45
<input type="checkbox"/>	MOD2850		1/2" SunMate in Thoracic Support	\$17
<input type="checkbox"/>	MOD2861		1" SunMate in Thoracic Support	\$17
<input type="checkbox"/>	MOD2950		Taper Front Edge of Thoracic Support	\$17
<input type="checkbox"/>	MOD3000		Replace Multi-Ply with ABS	\$11
<input type="checkbox"/>	MOD3001		Flat Metal Base up to 5x6"	\$23
<input type="checkbox"/>	MOD3011		Curved Metal Base up to 5X6"	\$23
<input type="checkbox"/>	MOD3100		Add Waterfall Foam to Thoracic Support	\$45
<input type="checkbox"/>	MOD3150		Contour-Fit Pad	\$60
<input type="checkbox"/>	MOD3175		Hinged Pad	\$150
<input type="checkbox"/>	MOD5510		Curved Lateral Pad	\$19
<input type="checkbox"/>	MOD6803		Curved Back Bracket	NC

LATERAL THORACIC ADDITIONAL HARDWARE AND COVERS				
<input type="checkbox"/>	HDW2025		1/4" Bracket Spacer	\$19
<input type="checkbox"/>	HDW2050		1/2" Bracket Spacer	\$19
<input type="checkbox"/>	HDW2521		1" Height Adapter Plate	\$29
<input type="checkbox"/>	HDW2522		2" Height Adapter Plate	\$29
<input type="checkbox"/>	HDW2523		3" Height Adapter Plate	\$29
<input type="checkbox"/>	COV2656		Lateral Bracket Fabric Cover (Ped)	\$30
<input type="checkbox"/>	COV2666		Lateral Bracket Fabric Cover (Short)	\$30
<input type="checkbox"/>	COV2657		Lateral Bracket Fabric Cover (1" Offset)	\$30
<input type="checkbox"/>	COV2667		Lateral Bracket Fabric Cover (2" Offset)	\$30

LATERAL PELVIC/THIGH SUPPORTS

LATERAL PELVIC/THIGH SUPPORT PACKAGES				
<i>Note: Pads can be built up to 5" High and 18" Long</i>				
<input type="checkbox"/>	LPK22XX	E0956	Standard profile brkt w/ Pad - Each	\$130
	<input type="checkbox"/> Left		<input type="checkbox"/> Right <input type="checkbox"/> Pair	
<input type="checkbox"/>	LPK27XX	E0956/E1028	Removable brkt w/ Pad - Each	\$285
	<input type="checkbox"/> Left		<input type="checkbox"/> Right <input type="checkbox"/> Pair	
<input type="checkbox"/>	LPK31XX	E0956	15" Med/High Prfl brkt w/ Pad - Each	\$160
	<input type="checkbox"/> Left		<input type="checkbox"/> Right <input type="checkbox"/> Pair	
<input type="checkbox"/>	LPK32XX	E0956	Med/High Profile brkt w/ Pad - Each	\$125
	<input type="checkbox"/> Left		<input type="checkbox"/> Right <input type="checkbox"/> Pair	
<input type="checkbox"/>	LPK33XX	E0956/E1028	20° Adj Rmvbl brkt w/ Pad - Each	\$325
	<input type="checkbox"/> Left		<input type="checkbox"/> Right <input type="checkbox"/> Pair	
<input type="checkbox"/>	LPK34XX	E0956	Modular Bracket w/ Pad - Each	\$210
	<input type="checkbox"/> Left		<input type="checkbox"/> Right <input type="checkbox"/> Pair	
<input type="checkbox"/>	LPK55XX	E0956	1" Reverse Offset brkt w/ Pad - Each	\$180
	<input type="checkbox"/> Left		<input type="checkbox"/> Right <input type="checkbox"/> Pair	
<input type="checkbox"/>	LPK57XX	E0956	20° Adj fixed brkt w/ Pad - Each	\$250
	<input type="checkbox"/> Left		<input type="checkbox"/> Right <input type="checkbox"/> Pair	

LATERAL PELVIC/THIGH SUPPORT MODIFICATIONS				
<input type="checkbox"/>	MOD3025		D Forward Pad Shape	NC
<input type="checkbox"/>	MOD3050		Replace Multi-Ply with ABS	\$11
<input type="checkbox"/>	MOD3055		Contoured Pelvic Supports (Anti-Thrust)	\$50
<input type="checkbox"/>	MOD3500		Waterfall Foam Pelvic Support	\$40
<input type="checkbox"/>	MOD3550		1/4" Gel in Pelvic Support	\$45
<input type="checkbox"/>	MOD3551		1/4" Gel in Long Pelvic Support	\$55
<input type="checkbox"/>	MOD3650		1/2" T-Foam in Pelvic Support	\$35
<input type="checkbox"/>	MOD3750		1/2" Pudgee in Pelvic Support	\$50
<input type="checkbox"/>	MOD3850		1/2" SunMate in Pelvic Support	\$35
<input type="checkbox"/>	MOD3861		1" SunMate in Pelvic Support	\$17
<input type="checkbox"/>	MOD3858		Distal Edge Contour	\$90
<input type="checkbox"/>	MOD3870		Mount LPK on Flat Back Surface	NC
<input type="checkbox"/>	MOD3899		Cus Foam Mod Pelvic Thigh Sup	\$55
<input type="checkbox"/>	MOD4750L		Long, Curved Pad, Pelvic/Thigh left	\$19
<input type="checkbox"/>	MOD4750R		Long, Curved Pad, Pelvic/Thigh, right	\$19

LATERAL PELVIC/THIGH/ARMREST SUPPORT PACKAGES - Each				
<i>Note: Pads can be built up to 5" High and 18" Long</i>				
<input type="checkbox"/>	LPK40XX		Fixed brkt w/ Pad - Each	\$340
	<input type="checkbox"/> Left		<input type="checkbox"/> Right <input type="checkbox"/> Pair	
<input type="checkbox"/>	LPK41XX		Removable brkt w/ Pad - Each	\$450
	<input type="checkbox"/> Left		<input type="checkbox"/> Right <input type="checkbox"/> Pair	
<input type="checkbox"/>	LPK42XX		Removable brkt & Hgt Adj w/ Pad - Each	\$525
	<input type="checkbox"/> Left		<input type="checkbox"/> Right <input type="checkbox"/> Pair	

ADDITIONAL DISTAL HARDWARE				
<input type="checkbox"/>	HDW2527		2" Distal Ext Adapter Bar	\$30
<input type="checkbox"/>	HDW2528		3" Distal Ext Adapter Bar	\$30

MEDIAL THIGH SUPPORTS

MEDIAL THIGH SUPPORT PACKAGES				
<input type="checkbox"/>	MTK10XX	E0957/E1028	MTS w/ Swing-Away brkt, 5" or 7" arm	\$425
<input type="checkbox"/>	MTK50XX	E0957/E1028	Adj height Swing-Away brkt, 2"-3"	\$475
<input type="checkbox"/>	MTK60XX	E0957/E1028	Adj height Swing-Away brkt , 3"-4.5"	\$475
<input type="checkbox"/>	MTK70XX	E0957/E1028	Adj Hideaway L Mount, 1.5"-3"	\$575
<input type="checkbox"/>	MTK72XX	E0957/E1028	Adj Hideaway T Mount, 1.5"-3"	\$575
<input type="checkbox"/>	MTK74XX	E0957/E1028	Adj Hideaway L Mount, Short	\$600
<input type="checkbox"/>	MTK76XX	E0957/E1028	Adj Hideaway L Mount, Tall	\$600
<input type="checkbox"/>	MTK93XX	E0957/E1028	Pull-Away brkt, 1.5" to 2" adj	\$500
<input type="checkbox"/>	MTK95XX	E0957/E1028	Pull-Away brkt, 2" to 3.5" adj	\$500
<input type="checkbox"/>	MTK97XX	E0957/E1028	Pull-Away brkt, 3.5" to 5.5" adj	\$500

MEDIAL THIGH SUPPORT MODIFICATIONS				
<input type="checkbox"/>	MOD3855		1/2" SunMate Foam in Medial Support	STD
<input type="checkbox"/>	MOD3856		1" SunMate Foam in Medial Support	\$40
<input type="checkbox"/>	MOD3555		1/4" Gel in Medial Support	\$120
<input type="checkbox"/>	MOD3655		1/2" T-Foam in Medial Support	\$35
<input type="checkbox"/>	MOD3755		1/2" Pudgee Foam in Medial Support	\$120

PELVIC POSITIONING BELTS

ANTERIOR PELVIC POSITIONING BELTS – SINGLE PULL

<input type="checkbox"/>	APB6212	E0978	1.5" Side Release buckle, 7.5" Pads	\$56
<input type="checkbox"/>	APB6213	E0978	1.5" Side Release buckle, 9.5" Pads	\$56
<input type="checkbox"/>	APB6210	E0978	1.5" Side Release buckle, Non-Padded	\$35
<input type="checkbox"/>	APB7212	E0978	1.5" Push-Button buckle, Small Pads	\$86
<input type="checkbox"/>	APB7213	E0978	1.5" Push-Button buckle, Med Pads	\$86
<input type="checkbox"/>	APB7210	E0978	1.5" Push-Button buckle, Non-Padded	\$40
<input type="checkbox"/>	APB5115	E0978	Li'l Kiddos 1" Push Button, 4.5" Pads	\$91
<input type="checkbox"/>	APB5116	E0978	Li'l Kiddos 1" Push Button, 5.5" Pads	\$91
<input type="checkbox"/>	APB5117	E0978	Li'l Kiddos 1" Push Button, 7.5" Pads	\$91
<input type="checkbox"/>	APB5110	E0978	Li'l Kiddos 1" Push Button, Non-Padded	\$40
<input type="checkbox"/>	APB6111	E0978	Li'l Kiddos 1" Release buckle, 5.5" Pads	\$56
<input type="checkbox"/>	APB6112	E0978	Li'l Kiddos 1" Release buckle, 7.5" Pads	\$56
<input type="checkbox"/>	APB6110	E0978	Li'l Kiddos 1" Release buckle, Non-Pad	\$35

ANTERIOR PELVIC POSITIONING BELTS – DUAL PULL

<input type="checkbox"/>	APB6222	E0978	1.5" Side Release buckle, Small Pads	\$56
<input type="checkbox"/>	APB6223	E0978	1.5" Side Release buckle, Med Pads	\$56
<input type="checkbox"/>	APB7221	E0978	1.5" Push-Button buckle, 5.5" Pads	\$86
<input type="checkbox"/>	APB7222	E0978	1.5" Push-Button buckle, 7.5" Pads	\$86
<input type="checkbox"/>	APB7223	E0978	1.5" Push-Button buckle, 9.5" Pads	\$86
<input type="checkbox"/>	APB5125	E0978	Li'l Kiddos 1" Push Button, 4.5" Pads	\$91
<input type="checkbox"/>	APB5126	E0978	Li'l Kiddos 1" Push Button, 5.5" Pads	\$91
<input type="checkbox"/>	APB5127	E0978	Li'l Kiddos 1" Push Button, 7.5" Pads	\$91
<input type="checkbox"/>	APB6121	E0978	Li'l Kiddos 1" Release buckle, 5.5" Pads	\$56
<input type="checkbox"/>	APB6122	E0978	Li'l Kiddos 1" Release buckle, 7.5" Pads	\$56

ANTERIOR PELVIC POSITIONING BELTS – MEDIAL 4-POINT

<input type="checkbox"/>	APB7242	E0978	1.5" Push-Button buckle, 4.5" Pads	\$111
<input type="checkbox"/>	APB7243	E0978	1.5" Push-Button buckle, 5.5" Pads	\$111
<input type="checkbox"/>	APB7244	E0978	1.5" Push-Button buckle, 6.5" Pads	\$111
<input type="checkbox"/>	APB5145	E0978	Li'l Kiddos 1" PB buckle, 3.5" Pads	\$111
<input type="checkbox"/>	APB5146	E0978	Li'l Kiddos 1" PB buckle, 4.5" Pads	\$111

ANTERIOR PELVIC POSITIONING BELTS – 4-POINT V-Contour

<input type="checkbox"/>	APB3716	E0978	1" Push-Button buckle	\$170
<input type="checkbox"/>	APB3727	E0978	1.5" Push-Button buckle	\$170
<input type="checkbox"/>	APB3738	E0978	2" Push-Button buckle	\$170
<input type="checkbox"/>	APB3616	E0978	1" Release buckle	\$170
<input type="checkbox"/>	APB3627	E0978	1.5" Release buckle	\$170
<input type="checkbox"/>	APB3638	E0978	2" Release buckle	\$170

ANTERIOR TRUNK SUPPORTS

ANTERIOR TRUNK SUPPORTS – CLASSIC STYLE

<input type="checkbox"/>	ATS8100	E0960	Dynamic, X-Small	\$152
<input type="checkbox"/>	ATS8101	E0960	Dynamic, Small	\$152
<input type="checkbox"/>	ATS8102	E0960	Dynamic, Medium	\$152
<input type="checkbox"/>	ATS8103	E0960	Dynamic, Large	\$152
<input type="checkbox"/>	ATS8104	E0960	Dynamic, X-Large	\$152
<input type="checkbox"/>	ATS8107	E0960	Dynamic, Early Intervention	\$152
<input type="checkbox"/>	ATS8300	E0960	Structured, X-Small	\$152
<input type="checkbox"/>	ATS8301	E0960	Structured, Small	\$152
<input type="checkbox"/>	ATS8302	E0960	Structured, Medium	\$152
<input type="checkbox"/>	ATS8303	E0960	Structured, Large	\$152
<input type="checkbox"/>	ATS8304	E0960	Structured, X-Large	\$152

ANTERIOR TRUNK SUPPORTS – CONTOUR STYLE

<input type="checkbox"/>	ATS9100	E0960	Dynamic, X-Small	\$152
<input type="checkbox"/>	ATS9101	E0960	Dynamic, Small	\$152
<input type="checkbox"/>	ATS9102	E0960	Dynamic, Medium	\$152
<input type="checkbox"/>	ATS9103	E0960	Dynamic, Large	\$152
<input type="checkbox"/>	ATS9104	E0960	Dynamic, X-Large	\$152
<input type="checkbox"/>	ATS9107	E0960	Dynamic, Early Intervention	\$152
<input type="checkbox"/>	ATS9300	E0960	Structured, X-Small	\$152
<input type="checkbox"/>	ATS9301	E0960	Structured, Small	\$152
<input type="checkbox"/>	ATS9302	E0960	Structured, Medium	\$152
<input type="checkbox"/>	ATS9303	E0960	Structured, Large	\$152
<input type="checkbox"/>	ATS9304	E0960	Structured, X-Large	\$152

ANTERIOR TRUNK SUPPORTS – CENTER OPENING STYLE

<input type="checkbox"/>	ATS8807	E0960	Dynamic, Early Int - Side Rel Buckle	\$141
<input type="checkbox"/>	ATS8800	E0960	Dynamic, X-Small - Side Rel Buckle	\$141
<input type="checkbox"/>	ATS8801	E0960	Dynamic, Small - Side Rel Buckle	\$141
<input type="checkbox"/>	ATS8802	E0960	Dynamic, Medium - Side Rel Buckle	\$141
<input type="checkbox"/>	ATS8803	E0960	Dynamic, Large - Side Rel Buckle	\$141
<input type="checkbox"/>	ATS8804	E0960	Dynamic, X-Large - Side Rel Buckle	\$141
<input type="checkbox"/>	ATS8809	E0960	Dynamic, Custom - Side Rel Buckle	\$250
<input type="checkbox"/>	ATS9407	E0960	Structured, Early Int - Side Rel Buckle	\$152
<input type="checkbox"/>	ATS9400	E0960	Structured, X-Small - Side Rel Buckle	\$152
<input type="checkbox"/>	ATS9401	E0960	Structured, Small - Side Rel Buckle	\$152
<input type="checkbox"/>	ATS9402	E0960	Structured, Medium - Side Rel Buckle	\$152
<input type="checkbox"/>	ATS9403	E0960	Structured, Large - Side Rel Buckle	\$152
<input type="checkbox"/>	ATS9404	E0960	Structured, X-Large - Side Rel Buckle	\$152
<input type="checkbox"/>	ATS9409	E0960	Structured, Custom - Side Rel Buckle	\$250
<input type="checkbox"/>	ATS8701	E0960	Dynamic, Small - Zipper	\$152
<input type="checkbox"/>	ATS8702	E0960	Dynamic, Medium - Zipper	\$152
<input type="checkbox"/>	ATS8703	E0960	Dynamic, Large - Zipper	\$152
<input type="checkbox"/>	ATS8704	E0960	Dynamic, X-Large - Zipper	\$152
<input type="checkbox"/>	ATS8709	E0960	Dynamic, Custom - Zipper	\$250

ANTERIOR TRUNK SUPPORTS – Y STYLE

<input type="checkbox"/>	ATS9167	E0960	Dynamic, Early Intervention	\$136
<input type="checkbox"/>	ATS9161	E0960	Dynamic, Small	\$136
<input type="checkbox"/>	ATS9162	E0960	Dynamic, Medium	\$136
<input type="checkbox"/>	ATS9163	E0960	Dynamic, Large	\$136
<input type="checkbox"/>	ATS9169	E0960	Dynamic, Custom	\$250
<input type="checkbox"/>	ATS9367	E0960	Structured, Early Intervention	\$136
<input type="checkbox"/>	ATS9361	E0960	Structured, Small	\$136
<input type="checkbox"/>	ATS9362	E0960	Structured, Medium	\$136
<input type="checkbox"/>	ATS9363	E0960	Structured, Large	\$136
<input type="checkbox"/>	ATS9369	E0960	Structured, Custom	\$250

ANTERIOR TRUNK SUPPORTS – BACK PACK STYLE

<input type="checkbox"/>	ATS9601	E0960	Dynamic, 12"	\$136
<input type="checkbox"/>	ATS9603	E0960	Dynamic, 18"	\$136
<input type="checkbox"/>	ATS9609	E0960	Dynamic, Custom	\$250
<input type="checkbox"/>	ATS9701	E0960	Structured, 12"	\$136
<input type="checkbox"/>	ATS9703	E0960	Structured, 18"	\$136
<input type="checkbox"/>	ATS9709	E0960	Structured, Custom	\$250

ANTERIOR TRUNK SUPPORTS – TRUNK STRAP

<input type="checkbox"/>	ATS4050	E0960	X-Small	\$141
<input type="checkbox"/>	ATS4000	E0960	Small	\$141
<input type="checkbox"/>	ATS4100	E0960	Medium	\$141
<input type="checkbox"/>	ATS4200	E0960	Large	\$141
<input type="checkbox"/>	ATS4300	E0960	X-Large	\$141
<input type="checkbox"/>	ATS4900	E0960	Custom	\$250

ANTERIOR TRUNK SUPPORTS – STRAP GUIDES

<input type="checkbox"/>	HDW6900		STRAP POSITIONER - EACH	\$30
--------------------------	---------	--	-------------------------	------

LOWER BODY POSITIONING

KNEE POSITIONING				
<input type="checkbox"/>	KPG10XX	E0953	Knee Pos Blocks, + Pullaway Hardware	\$450
<input type="checkbox"/>	KPG19XX	E0953	Knee Pos Blocks, Custom + Hardware	\$500
<input type="checkbox"/>	KAK31XXL	E0953/E1028	Knee Add PKG Swing Away Long L	\$355
<input type="checkbox"/>	KAK31XXR	E0953/E1028	Knee Add PKG Swing Away Long R	\$355
<input type="checkbox"/>	KAK21XXL	E0953/E1028	Knee Add PKG Swing Away Short L	\$355
<input type="checkbox"/>	KAK21XXR	E0953/E1028	Knee Add PKG Swing Away Short R	\$355
<input type="checkbox"/>	KAD10XX	E0953	Knee Adductor Pad 3" Round	\$50
<input type="checkbox"/>	KAD11XX	E0953	Knee Adductor Pad 4" Round	\$50
<input type="checkbox"/>	KAD19XX	E0953	Knee Adductor Pad Custom	\$100
<input type="checkbox"/>	HDW4851	E1028	Knee Add brkt Swing Away Long L	\$350
<input type="checkbox"/>	HDW4852	E1028	Knee Add brkt Swing Away Long R	\$350
<input type="checkbox"/>	HDW4853	E1028	Knee Add brkt Swing Away Short L	\$350
<input type="checkbox"/>	HDW4854	E1028	Knee Add brkt Swing Away Short R	\$350

FOOT BOXES				
<input type="checkbox"/>	TST7014L	E0954	Single Foot Box, Std, 14" W/C (left leg)	\$290
<input type="checkbox"/>	TST7014R	E0954	Single Foot Box, Std, 14" W/C (right leg)	\$290
<input type="checkbox"/>	TST7016L	E0954	Single Foot Box, Std, 16" W/C (left leg)	\$290
<input type="checkbox"/>	TST7016R	E0954	Single Foot Box, Std, 16" W/C (right leg)	\$290
<input type="checkbox"/>	TST7018L	E0954	Single Foot Box, Std, 18" W/C (left leg)	\$290
<input type="checkbox"/>	TST7018R	E0954	Single Foot Box, Std, 18" W/C (right leg)	\$290
<input type="checkbox"/>	TST7114	E0954	Full Width Ft Box, Std, 14" W/C (1 pc)	\$475
<input type="checkbox"/>	TST7116	E0954	Full Width Ft Box, Std, 16" W/C (1 pc)	\$475
<input type="checkbox"/>	TST7118	E0954	Full Width Ft Box, Std, 18" W/C (1 pc)	\$475

FLEXI FEET				
<input type="checkbox"/>	32600XS-RT	E0951/E0952	Flexi-Feet System Xtra Small - Pair	\$195
<input type="checkbox"/>	32600S-RT	E0951/E0952	Flexi-Feet System Small - Pair	\$195
<input type="checkbox"/>	32600M-RT	E0951/E0952	Flexi-Feet System Medium - Pair	\$195
<input type="checkbox"/>	32600L-RT	E0951/E0952	Flexi-Feet System Large - Pair	\$195

SHOE HOLDERS				
<input type="checkbox"/>	TST6001	E0951/E0952	Shoe Holder padded buckles Small	\$71
<input type="checkbox"/>	TST6101	E0951/E0952	Shoe Holder padded buckles Medium	\$71
<input type="checkbox"/>	TST6201	E0951/E0952	Shoe Holder padded buckles Large	\$71
<input type="checkbox"/>	TST6301	E0951/E0952	Shoe Holder padded buckles X-Large	\$71
<input type="checkbox"/>	TST6000	E0951/E0952	Shoe Holder non-padded buckles Small	\$64
<input type="checkbox"/>	TST6100	E0951/E0952	Shoe Holder non-padded buckles Med	\$64
<input type="checkbox"/>	TST6200	E0951/E0952	Shoe Holder non-padded buckles Large	\$64
<input type="checkbox"/>	TST6300	E0951/E0952	Shoe Holder non-padded buckles XL	\$64

SHOE HOLDERS with TENDON RELIEF				
<input type="checkbox"/>	TST6061	E0951/E0952	Shoe Holder padded buckles Small	\$72
<input type="checkbox"/>	TST6161	E0951/E0952	Shoe Holder padded buckles Medium	\$72
<input type="checkbox"/>	TST6261	E0951/E0952	Shoe Holder padded buckles Large	\$72
<input type="checkbox"/>	TST6361	E0951/E0952	Shoe Holder padded buckles X-Large	\$72

FOOT and ANKLE POSTIONING				
<input type="checkbox"/>	TST6510L	E0951/E0952	Foot & Ankle Positioner Small Left	\$91
<input type="checkbox"/>	TST6510R	E0951/E0952	Foot & Ankle Positioner Small Right	\$91
<input type="checkbox"/>	TST6520L	E0951/E0952	Foot & Ankle Positioner Medium Left	\$91
<input type="checkbox"/>	TST6520R	E0951/E0952	Foot & Ankle Positioner Medium Right	\$91
<input type="checkbox"/>	TST6540L	E0951/E0952	Foot & Ankle Positioner Large Left	\$91
<input type="checkbox"/>	TST6540R	E0951/E0952	Foot & Ankle Positioner Large Right	\$91
<input type="checkbox"/>	TST6560L	E0951/E0952	Foot & Ankle Positioner X-Large Left	\$91
<input type="checkbox"/>	TST6560R	E0951/E0952	Foot & Ankle Positioner X-Large Right	\$91

ANKLE POSITIONING				
<input type="checkbox"/>	TST6501L	E0951	Ankle Positioner Xtra Small Left	\$71
<input type="checkbox"/>	TST6501R	E0951	Ankle Positioner Xtra Small Right	\$71
<input type="checkbox"/>	TST6511L	E0951	Ankle Positioner Small Left	\$71
<input type="checkbox"/>	TST6511R	E0951	Ankle Positioner Small Right	\$71
<input type="checkbox"/>	TST6521L	E0951	Ankle Positioner Medium Left	\$71
<input type="checkbox"/>	TST6521R	E0951	Ankle Positioner Medium Right	\$71
<input type="checkbox"/>	TST6541L	E0951	Ankle Positioner Large Left	\$71
<input type="checkbox"/>	TST6541R	E0951	Ankle Positioner Large Right	\$71
<input type="checkbox"/>	TST6561L	E0951	Ankle Positioner Extra-Large Left	\$71
<input type="checkbox"/>	TST6561R	E0951	Ankle Positioner Extra-Large Right	\$71

UPPER BODY POSITIONING

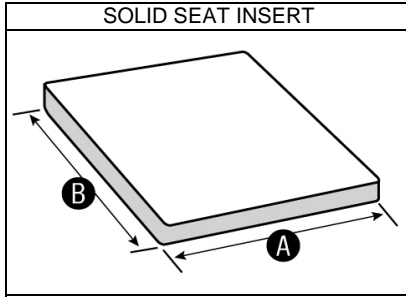
TRAYS				
<input type="checkbox"/>	WCT1005	E0950	Wooden Support Platform, X-Small	\$220
<input type="checkbox"/>	WCT1000	E0950	Wooden Support Platform, Small	\$220
<input type="checkbox"/>	WCT2000	E0950	Wooden Support Platform, Medium	\$220
<input type="checkbox"/>	WCT3000	E0950	Wooden Support Platform, Large	\$250
<input type="checkbox"/>	WCT4000	E0950	Wooden Support Platform, X-Large	\$250
<input type="checkbox"/>	WCT5005	E0950	Lexan Support Platform, X-Small	\$250
<input type="checkbox"/>	WCT5000	E0950	Lexan Support Platform, Small	\$250
<input type="checkbox"/>	WCT6000	E0950	Lexan Support Platform, Medium	\$250
<input type="checkbox"/>	WCT7000	E0950	Lexan Support Platform, Large	\$260
<input type="checkbox"/>	WCT8000	E0950	Lexan Support Platform, X-Large	\$260
<input type="checkbox"/>	WCT9000	E0950	Custom Support Platform	\$475

TRAY MOUNTING HARDWARE				
<input type="checkbox"/>	THW1000		Toggle Hardware	\$55
<input type="checkbox"/>	THW2000		Slide Tube Hardware	\$165
<input type="checkbox"/>	THW3000		Birch Runners	\$35
<input type="checkbox"/>	THW3100		S-Style Runners, ABS	\$35
<input type="checkbox"/>	THW3210		Slotted Channel Runners, ABS	\$40
<input type="checkbox"/>	THW3700		Top Drop Platform	\$110
<input type="checkbox"/>	THW4000		Cam Style Hardware	\$40
<input type="checkbox"/>	THW4500		Angle-Cam Hardware	\$55

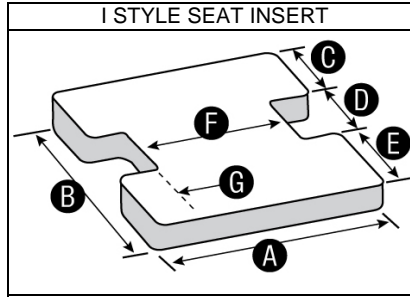
PLATFORM ACCESSORIES				
<input type="checkbox"/>	TAC11XX		Platform Padding, Removable Cover	\$290
<input type="checkbox"/>	TAC4100L		Joystick Cutout, Left	\$60
<input type="checkbox"/>	TAC4100R		Joystick Cutout, Right	\$60
<input type="checkbox"/>	TAC4150		Joystick Midline Cutout	\$120
<input type="checkbox"/>	TAC4175		Platform Cutout, Custom	\$65
<input type="checkbox"/>	THW6000		Strap with Release Buckle	\$45

NOTES				

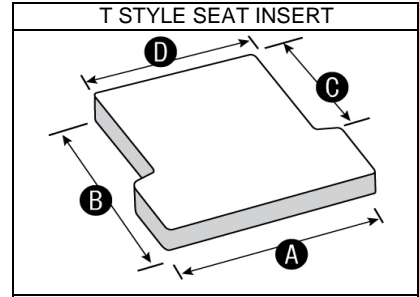
SEAT DIMENSIONS Specifications



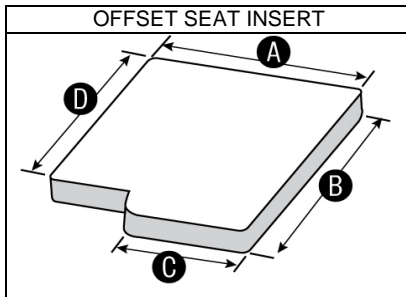
A	B
---	---



A	E
B	F
C	G
D	

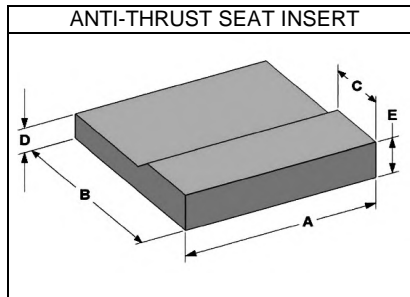


A	C
B	D

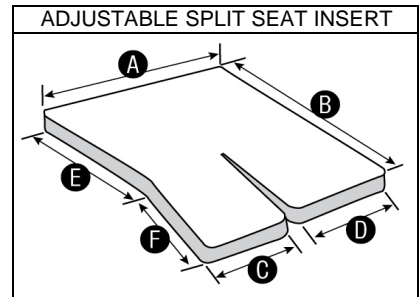


- Long Left Side
- Long Right Side

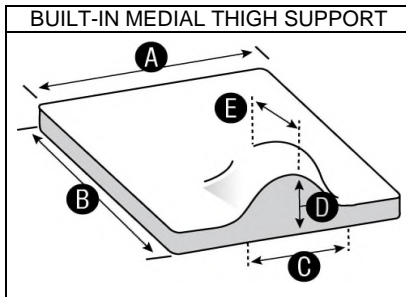
A	C
B	D



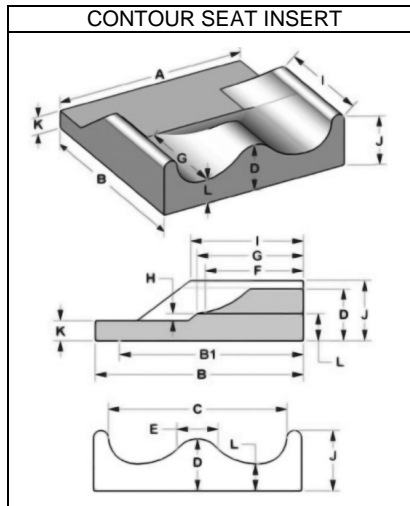
A	D
B	E
C	



A	D
B	E
C	F

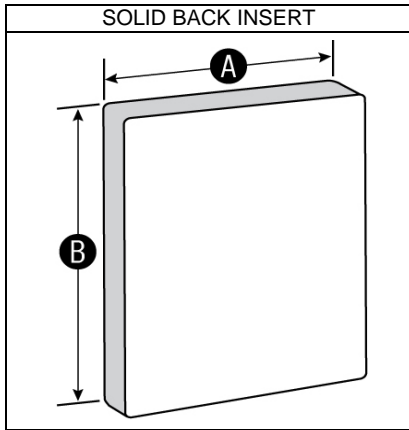


A	D
B	E
C	

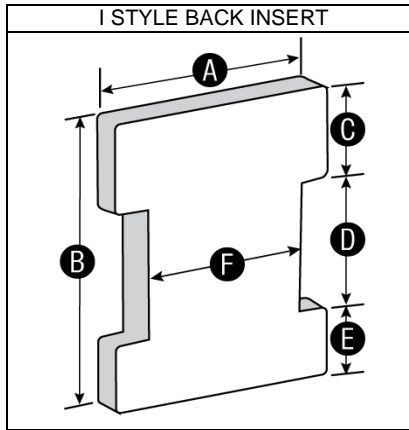


A	G
B	H
C	I
D	J
E	K
F	L

BACK DIMENSIONS Specifications

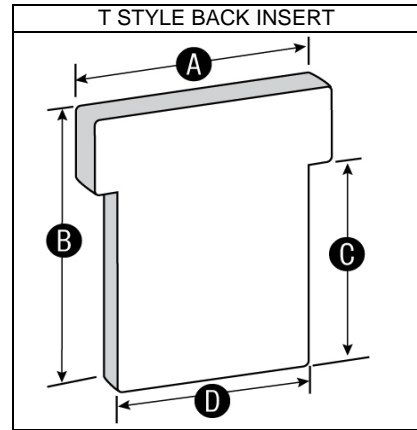


A	
B	



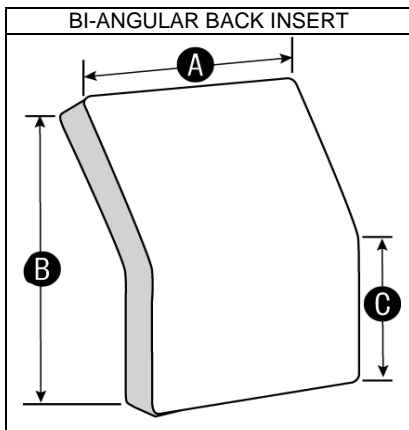
A	
B	
C	

D	
E	
F	



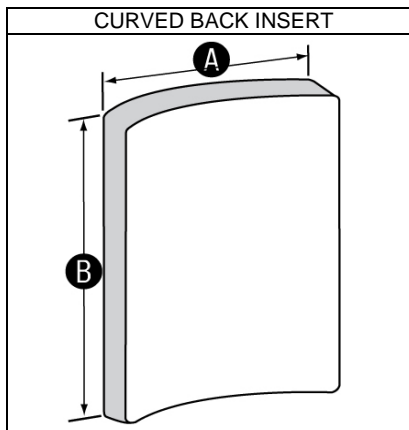
A	
B	

C	
D	

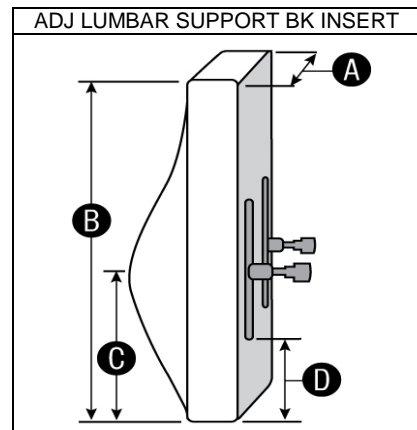


A	
B	

C	
---	--

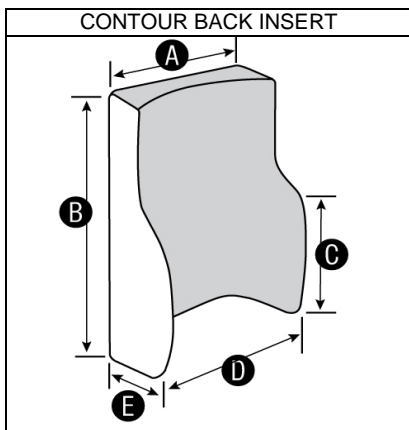


A	
B	



A	
B	

C	
D	



A	
B	
C	

D	
E	



Sunrise Medical (US) LLC
2842 Business Park Ave. · Fresno, CA 93727 · USA