



Zippie GS SE
January 2018
EIZGS

Date: _____ Dealer Acct #: _____ Dealer: _____ Dealer Contact: _____ Dealer Address: _____ Dealer City: _____ ST: _____ ZIP: _____ Dealer Phone: () _____ Fax: () _____ Confirm Via: <input type="checkbox"/> Fax <input type="checkbox"/> Email Mark For: _____	SUBMITTING FOR: <input type="checkbox"/> Quote <input type="checkbox"/> Order PO#: _____ Ship To: _____ Attention: _____ Address: _____ Address: _____ Ship To City: _____ ST: _____ ZIP: _____ Ship To Phone: () _____ Fax: () _____
--	---

*The HCPCS CODES provided are based on code verification through PDAC or our interpretation of the code definitions.
 The use of HCPCS CODES does not ensure coverage or payment. For coverage information, verify the appropriate payer's coverage policy.*

✓	Option #	HCPCS	Definition	Price	✓	Option #	HCPCS	Definition	Price
1. FRAME									

All Zippie GS models grow in width and depth.

<input type="checkbox"/>	087WM74	E1238	Folding Growing Zippie GS <i>Transit Optional True Fit Growth not included</i>	\$1,875
<input type="checkbox"/>	087WM75	E1237	Rigid Growing Zippie GS <i>Transit Optional True Fit Growth not included</i>	\$1,875

Note: HCPCS Codes shown as submitted. Some sizes fit other HCPC codes i.e. 15"-18" widths = K0005

Frame Options

<input type="checkbox"/>	087FC5	Reverse Configuration <i>(N/A w/ Swing-Away hangers non-rem. in reverse config.; lift off hangers recommended.)</i>	\$100	<input type="checkbox"/>	087FC3	Standard Configuration	NC
--------------------------	--------	--	-------	--------------------------	--------	------------------------	----

2. TRANSIT SYSTEM (For use when Transit optional is chosen above)

Tie Down Requires: Solid Seat and Solid Back or, Growing Seat Pan and JAY Fit or Conventional Back or, Growing Seat Pan and Solid Back or, JAY Fit and/or Conventional Seat & Back

<input type="checkbox"/>	087TO19	K0108	Transit Optional Std. Seating <i>(Req. Selection of Seat & Back)</i>	\$250	<input type="checkbox"/>	087TO13	K0108	Transit Optional w/o Seating	\$250
<input type="checkbox"/>					<input type="checkbox"/>	087TO15		Transit Omit	NC

2. SIZE/SEATING

Frame Width

Height Adjustable Arms N/A with 10"-13" Frame Widths

<input type="checkbox"/>	087BW4	Small Cross Brace	NC
<input type="checkbox"/>		□ 10" □ 11" □ 12"	
<input type="checkbox"/>	087BW5	Medium Cross Brace	NC
<input type="checkbox"/>		□ 12" □ 13" □ 14"	
<input type="checkbox"/>	087BW6	Large Cross Brace	NC
<input type="checkbox"/>		□ 14" □ 15" □ 16"	
<input type="checkbox"/>	087BW7	X-Large Cross Brace	\$75
<input type="checkbox"/>		□ 16" □ 17" □ 18"	

Frame Depth and Back Post Location

<input type="checkbox"/>	087FL3	Short Frame	NC
<input type="checkbox"/>		□ 10" □ 11" □ 12" □ 13" □ 14"	
<input type="checkbox"/>	087FL9	Regular Frame	NC
<input type="checkbox"/>		□ 12" □ 13" □ 14" □ 15" □ 16"	
<input type="checkbox"/>	087FL18	Long Frame	NC
<input type="checkbox"/>		□ 14" □ 15" □ 16" □ 17" □ 18"	
<input type="checkbox"/>	087FL25	X-Long Frame	\$75
<input type="checkbox"/>		□ 16" □ 17" □ 18" □ 19" □ 20" <i>(20" use HCPCS: E2203)</i>	

2. SIZE/SEATING CONT.

Seats

<input type="checkbox"/>	087ST55	E2231	Solid Seat (Req. Solid Back) (N/A w/ 10-11, 19-20 inch frame depth or 17-18 inch frame width.)	\$200
<input type="checkbox"/>	087PN3	E2231	Growing Seat Pan Depth (Fig. 1)	\$200
<input type="checkbox"/>	087ST27		Omit Seat	STD

JAY Cushions (Optional)

To order any JAY cushions on-chair, please see the JAY price list. Cushion name or part number must be filled out with desired width and depth.

<input type="checkbox"/>	087JC20	JAY Bundled Cushion		Price List
		Name / Part #		
		Width:	Depth:	

REFERENCE ONLY

Seat Depth Pan Size	Depth Range	
	Minimum	Maximum
Short 10-12"	10"	14"
Medium 13"-14"	11 3/4"	16 1/4"
Long 15"-17"	13 3/4"	18 1/4"
X-Long 18"-20"	15 3/4"	20 1/4"

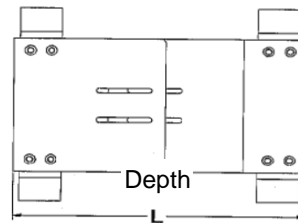


Figure 7.1 - Frame Depth Growth Range Matrix

3. CASTERS/SEAT HEIGHT

Caster Wheel

<input type="checkbox"/>	087CW30		3" Micro Light Up	\$65
<input type="checkbox"/>	087CW31		4" Micro Light Up	\$70
<input type="checkbox"/>	087CW51		5" Micro Light Up	\$85
<input type="checkbox"/>	087CW5		5" Low-Profile Polyurethane	STD
<input type="checkbox"/>	087CW7	E2219	5" x 1.5" Semi-Pneumatic	\$85
<input type="checkbox"/>	087CW33	E2214 E2215	6" Pneumatic	\$75
<input type="checkbox"/>	087CW34		6" Polyurethane	NC
<input type="checkbox"/>	087CW35	E2219	6" x 1.5" Semi-Pneumatic	\$85
<input type="checkbox"/>	087CW21	E2214 E2215	8" Pneumatic	\$85
<input type="checkbox"/>	087CW32		8" Polyurethane	NC
<input type="checkbox"/>	087CW39	E2219	8" x 1.5" Semi-Pneumatic	\$85
<input type="checkbox"/>	087CW36	E2214 E2215	8" x 2" Pneumatic	\$145
<input type="checkbox"/>	087CW37	E2214 K0108	8" x 2" Pneumatic w/Airless Insert	\$225

Caster Options

<input type="checkbox"/>	087CS5		3/4" Longer Fork Stem Bolt	NC
<input type="checkbox"/>	087CS9		1 1/2" Longer Fork Stem Bolt	NC
<input type="checkbox"/>	087CS3	K0073	Caster Pin Locks (N/A with 8" x 2" casters or Transit Opt.)	\$195
<input type="checkbox"/>	087CW38		Omit Caster, Wheels & Tires	NC

4. REAR WHEELS/SEAT HEIGHT

Axle Plate

<input type="checkbox"/>	087AL17	E0958	One Arm Drive (Avail w/ 20",22",24" Mag Rear Wheels & 13"-18" wide)	\$850
<input type="checkbox"/>	087OA2		Standard Handrim	NC
<input type="checkbox"/>	087HM1		Right	NC
<input type="checkbox"/>	087HM2		Left	NC
<input type="checkbox"/>	087OA1		Small Handrim	NC
<input type="checkbox"/>	087HM1		Right	NC
<input type="checkbox"/>	087HM2		Left	NC

Axle

<input type="checkbox"/>	087AX26		One Arm Drive Axle (Only avail. w/One Arm Drive Option)	STD
<input type="checkbox"/>	087AX1		Quick Release	NC
<input type="checkbox"/>	087AX11		Quad Quick Release (N/A with Lite Spokes)	\$125

4. REAR WHEELS/SEAT HEIGHT CONT.

Rear Wheel Size

<input type="checkbox"/>	087RW48	12" Mag <i>(N/A with handrims)</i>	\$40
<input type="checkbox"/>	087RW14	16" Mag <i>(N/A with handrims)</i>	NC
<input type="checkbox"/>	087RW3	20" Mag	NC
<input type="checkbox"/>	087RW8	22" Mag	NC
<input type="checkbox"/>	087RW1	24" Mag	NC
<input type="checkbox"/>	087RW12	18" Spoke	\$100
<input type="checkbox"/>	087RW74	20" Lite Spoke	NC
<input type="checkbox"/>	087RW75	22" Lite Spoke	NC
<input type="checkbox"/>	087RW54	24" Lite Spoke	\$100
<input type="checkbox"/>	087RW25	Omit Rear Wheel & Axle	-\$55

Handrim

<input type="checkbox"/>	087HR1	Aluminum Anodized	NC
<input type="checkbox"/>	087HR4	Plastic Coated	\$95
<input type="checkbox"/>	087HR7	Omit <i>(N/A with wheel/axle credit)</i>	NC

Projections *(N/A on Plastic Coated)*

**Only available with 24" wheels & N/A with spoke guards.*

<input type="checkbox"/>	087HR8	8 Oblique	\$325
--------------------------	--------	-----------	-------

Rear Wheel Tire

<input type="checkbox"/>	087RT1	Pneumatic	NC
<input type="checkbox"/>	087RT2	E2211 E2213 Pneumatic Airless Insert	\$80
<input type="checkbox"/>	087RT3	Full Polyurethane <i>(N/A w/ 12", 16" and 18" rear wheels)</i>	NC
<input type="checkbox"/>	087RT4	Low Polyurethane <i>(Only available with 12" and 24" wheels)</i>	NC
<input type="checkbox"/>	087RT6	E2211 E2212 High Pressure Clincher <i>(Avail. w/ 24" spoke wheels, N/A with mag wheels)</i>	\$95

5. WHEEL LOCK/HUB LOCK

Wheel Lock

N/A with Hub Locks

<input type="checkbox"/>	087WL1	High Mount Push	NC
<input type="checkbox"/>	087WL2	High Mount Pull	NC
<input type="checkbox"/>	087WL25	Foot Lock <i>(may limit folding width, N/A in rev. config.)</i>	NC
<input type="checkbox"/>	087WL10	Omit	NC
<input type="checkbox"/>	087WL12	Do Not Mount	NC

Hub Lock

**Only available with 12" or 16" wheels. N/A with One Arm Drive.*

<input type="checkbox"/>	087LK01	12" Hub Lock	\$100
<input type="checkbox"/>	087LK02	16" Hub Lock	\$100

Extension Handle

<input type="checkbox"/>	087EH1	E0961	6" Pair	\$75
--------------------------	--------	-------	---------	------

6. HANGER and FOOTRESTS

Hanger Mounted Footrest (Footplates Mount to Hanger Tubing)

Hanger Type				
<input type="checkbox"/>	087H89		70° Swing In/Out Front Mount	NC
<input type="checkbox"/>	087H90		80° Swing In/Out Front Mount	NC
<input type="checkbox"/>	087H6		90° Swing Away Front Mount	NC
<input type="checkbox"/>	087H9		70° HD Front Mount Lift-Off	NC
<input type="checkbox"/>	087H10		80° HD Front Mount Lift-Off	NC
<input type="checkbox"/>	087H11		90° HD Front Mount Lift-Off	NC
<input type="checkbox"/>	087H23	E0990	90° Elevating (N/A 10"-11" wide)	\$295
Extensions (may interfere with some seat heights & casters)				
<input type="checkbox"/>	087E23		2" (not mounted)	\$55
<input type="checkbox"/>	087E24		4" (not mounted)	\$55

Footplate

<input type="checkbox"/>	087F9	K0040	Kids Angle Adjustable (N/A w/17"-18" widths)	\$185
<input type="checkbox"/>	087F8	K0040	Adult Angle Adj. (Available with 10"-18" widths)	\$185
<input type="checkbox"/>	087F62	K0040	Footboard (Available with 10"-16" widths)	\$150

Ext. Tube Mounted Footrest (Footplate Mount to Ext. Tube)

Hanger Type				
<input type="checkbox"/>	087H85		60° Swing In/Out	NC
<input type="checkbox"/>	087H86		70° Swing In/Out	STD
<input type="checkbox"/>	087H116		80° Swing In/Out (N/A with 6" or 8" Casters)	STD
<input type="checkbox"/>	087H24	K0053	Articulating (N/A w/composite footplates or 10"-13")	\$350
<input type="checkbox"/>	087H14	E0990	Elevating (N/A w/ composite or platform footplates or < 16" width)	\$295
Extensions				
<input type="checkbox"/>	087E1		Short (11.5" - 14")	NC
<input type="checkbox"/>	087E2		Med (14" - 17") (N/A w/ ELR)	NC
<input type="checkbox"/>	087E5		Long (17" - 19")	NC
<input type="checkbox"/>	087E16		High Mount	\$55

Footplate

<input type="checkbox"/>	087F1		Composite (N/A In 10", 11" or 12" width)	STD
<input type="checkbox"/>	087F3	K0040	Aluminum Angle Adjustable	\$185
<input type="checkbox"/>	087F4	K0040	Kids Angle Adjustable (N/A w/17"-18" width)	\$185
<input type="checkbox"/>	087F5		Aluminum (Only available with elevating leg rests 14"-18")	NC
<input type="checkbox"/>	087F48	K0040	Platform Flip-Up (Avail on 60° 70° and 80° ext. mount hangers only)	\$190

Front Seat to Floor Height Guide (Reference Only)										
Rear Wheel Size	CASTER SIZE									
	3"	4"	5"	6"	8"X1"	8"X1.5"	8"x2"			
12"	14.0"	14.0"	14.0"	N/A	N/A	N/A	N/A			
	14.5"	14.5"	14.5"							
	15.0"	15.0"	15.0"	15.0"						
	15.5"	15.5"	15.5"	15.5"						
	16.0"	16.0"	16.0"	16.0"						
12" Low Poly	14.0"	14.0"	14.0"	15.0"	N/A	N/A	N/A			
	14.5"	14.5"	14.5"							
	15.0"	15.0"	15.0"							
16"	14.0"	14.0"	14.0"	N/A	N/A	N/A	N/A			
	14.5"	14.5"	14.5"							
	15.0"	15.0"	15.0"	15.0"						
	15.5"	15.5"	15.5"	15.5"						
	16.0"	16.0"	16.0"	16.0"						
	16.5"	16.5"	16.5"	16.5"				16.5"	16.5"	
17.0"	17.0"	17.0"	17.0"	17.0"	17.0"	N/A				
18"	14.0"	14.0"	14.0"	N/A	N/A	N/A	N/A			
	14.5"	14.5"	14.5"							
	15.0"	15.0"	15.0"	15.0"						
	15.5"	15.5"	15.5"	15.5"						
	16.0"	16.0"	16.0"	16.0"						
	16.5"	16.5"	16.5"	16.5"				16.5"	16.5"	
	17.0"	17.0"	17.0"	17.0"				17.0"	17.0"	N/A
	17.5"	17.5"	17.5"	17.5"				17.5"	17.5"	17.5"
	N/A	18.0"	18.0"	18.0"				18.0"	18.0"	18.0"
	18.0"	18.0"	18.0"	18.0"				18.0"	18.0"	18.0"
20"	14.0"	14.0"	14.0"	N/A	N/A	N/A	N/A			
	14.5"	14.5"	14.5"					15.0"		
	15.0"	15.0"	15.0"	15.5"						
	15.5"	15.5"	15.5"	16.0"				16.5"	16.5"	16.5"
	16.0"	16.0"	16.0"	16.5"				17.0"	17.0"	N/A
	16.5"	16.5"	16.5"	17.0"				17.5"	17.5"	17.5"
	17.0"	17.0"	17.0"	17.5"				18.0"	18.0"	18.0"
	17.5"	17.5"	17.5"	18.0"				18.5"	18.5"	18.5"
	N/A	18.0"	18.0"	18.5"				19.0"	19.0"	19.0"
	N/A	N/A	18.5"	19.0"				19.5"	19.5"	N/A
22"	N/A	N/A	N/A	15.0"	N/A	N/A	N/A			
	15.0"	15.0"	15.0"	15.5"	16.5"	16.5"				
	15.5"	15.5"	15.5"	16.0"	17.0"	17.0"				
	16.0"	16.0"	16.0"	16.5"	17.5"	17.5"	16.5"			
	16.5"	16.5"	16.5"	17.0"	18.0"	18.0"	N/A			
	17.0"	17.0"	17.0"	17.5"	18.5"	18.5"	17.5"			
	17.5"	17.5"	17.5"	18.0"	19.0"	19.0"	18.0"			
	N/A	18.0"	18.0"	18.5"	19.5"	19.5"	18.5"			
	N/A	N/A	18.5"	19.0"	20.0"	20.0"	19.0"			
	N/A	N/A	N/A	19.0"	19.5"	19.5"	N/A			
24"	15.5"	15.5"	15.5"	15.5"	N/A	N/A	N/A			
	16.0"	16.0"	16.0"	16.0"	16.5"	16.5"	16.5"			
	16.5"	16.5"	16.5"	16.5"	17.0"	17.0"	N/A			
	17.0"	17.0"	17.0"	17.0"	17.5"	17.5"	17.5"			
	17.5"	17.5"	17.5"	17.5"	18.0"	18.0"	18.0"			
	N/A	18.0"	18.0"	18.0"	18.5"	18.5"	18.5"			
	N/A	N/A	18.5"	18.5"	19.0"	19.0"	19.0"			
	N/A	N/A	N/A	19.0"	19.5"	19.5"	N/A			
	N/A	N/A	N/A	N/A	20.0"	20.0"	N/A			
	N/A	N/A	N/A	N/A	N/A	N/A	N/A			

Based on 1.5" seat angle. To achieve desired seat height see matrices on last page.

6. FOOTRESTS CONT.

Footrest Hanger Options

<input type="checkbox"/>	087IG2		Neoprene Covers (<i>Avail. on 60°/ 70° / 80° ext. mount hangers only</i>)	\$85
<input type="checkbox"/>	087HL1	E0951	Heel Loops	\$30
<input type="checkbox"/>	087A110	E0952	Toe Loop (<i>Only avail. w/ adult angle adjust. footplates</i>)	\$40

<input type="checkbox"/>	087HL5	K0038	Leg Strap	\$35
<input type="checkbox"/>	087A54	K0038	Extra Single Leg Strap	\$30
<input type="checkbox"/>	087H33		Omit Hanger	-\$15
<input type="checkbox"/>	087F7		Omit Footplate & Ext. Tube	-\$15
<input type="checkbox"/>	087HL4		Omit Heel Loop	NC
<input type="checkbox"/>	087HL6		Omit Single Leg Strap	NC

7. BACKREST/SEATING

Back Height

(Solid Back Depth = 2" Less Than Frame Depth)

<input type="checkbox"/>	087B240		Short Solid Back 12"	\$100
<input type="checkbox"/>	087B241		Med. Solid Back 14"	\$100
<input type="checkbox"/>	087B242		Tall Solid Back 16"	\$100
<input type="checkbox"/>	087BU14		Omit Backrest	NC

JAY Backs (Optional)

Ordering JAY backs on-chair, See the JAY Price List. Requires Part #

<input type="checkbox"/>	087JB02	JAY Bundled Backrest	Price List
		Backrest Name or Part #	
		Width:	Height:

Back Posts

Fixed Height

<input type="checkbox"/>	087BP9		Low (19" Ht)	NC
<input type="checkbox"/>	087BP10		Medium (22" Ht)	NC
<input type="checkbox"/>	087BP11		Tall (25" Ht)	NC
<input type="checkbox"/>	087BP13		Removable Extension	\$85
<input type="checkbox"/>	087RG1		Folding Adjustable Rigidizer	\$175

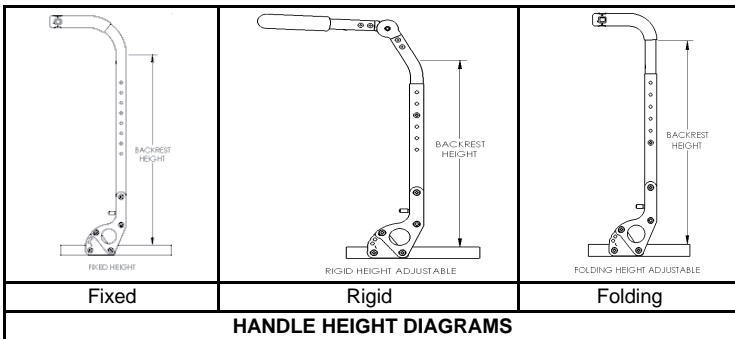
Height Adjustable

Rigid Frame w/ Angle Adjust Push Handle

<input type="checkbox"/>	087B202		Std. (16"-22" Height.)	NC
<input type="checkbox"/>	087PH8		Std. Angle Adj. Push Handle	NC
<input type="checkbox"/>	087PH9		Long Angle Adj. Push Handle	NC
<input type="checkbox"/>	087B203		Tall (19"-25" Height.)	NC
<input type="checkbox"/>	087PH8		Std. Angle Adj. Push Handle	NC
<input type="checkbox"/>	087PH9		Long Angle Adj. Push Handle	NC

Folding Frame with Push Handle

<input type="checkbox"/>	087B204		Std. (17"-23" Height.)	NC
<input type="checkbox"/>	087BP47		Swing Away Handle (N/A with dual triggers)	\$55
<input type="checkbox"/>	087B205		Tall (20"-26" Height.)	NC
<input type="checkbox"/>	087BP47		Swing Away Handle (N/A with dual triggers)	\$55



8. ARMRESTS

Side Guard

(N/A with height adjustable armrests or T-Post)

<input type="checkbox"/>	087SG33	K0108	Plastic Std	\$140
<input type="checkbox"/>	087SG29	K0108	Plastic Low	\$140

Armrest and Armpad

<input type="checkbox"/>	087AA12	E0973	T-Post Regular w/Foam	\$265
<input type="checkbox"/>	087AA13	E0973	T-Post Tall w/Foam	\$265
<input type="checkbox"/>	087AA3		Flip-Up	NC
<input type="checkbox"/>	087AA1	E0973	Adjustable Locking Flip-Up	\$255
<input type="checkbox"/>	087AA7	E0973	Length Adjust. Locking Flip-Up	\$265
<input type="checkbox"/>	087AM23		Desk Classic (10") (N/A w/T Post)	NC
<input type="checkbox"/>	087AM24		Full Classic (14") (N/A w/T Post)	NC
<input type="checkbox"/>	087AM9		Foam Short (N/A w/T Post)	NC
<input type="checkbox"/>	087AM10		Foam Long (N/A w/T Post)	NC

Armrest and Armpad - Height Adjustable

<input type="checkbox"/>	087AA11	E0973	Single-Post Height Adj. Std.	\$285
<input type="checkbox"/>	087AM23		Desk Classic	NC
<input type="checkbox"/>	087AM21		Desk Contour	NC
<input type="checkbox"/>	087AM24		Full Classic	NC
<input type="checkbox"/>	087AM22		Full Contour	NC
<input type="checkbox"/>	087AA29	E0973	Single-Post Height Adj. Low	\$285
<input type="checkbox"/>	087AM23		Desk Classic	NC
<input type="checkbox"/>	087AM21		Desk Contour	NC
<input type="checkbox"/>	087AM24		Full Classic	NC
<input type="checkbox"/>	087AM22		Full Contour	NC

Armrest Receiver for Height Adjustable Armrest

<input type="checkbox"/>	087AR17		Low	NC
<input type="checkbox"/>	087AR18		Std	NC

9. KEY OPTIONS

Anti-Tip

<input type="checkbox"/>	087AO2	E0971	Front Anti-Tip <i>(N/A with caster pin locks or transit option)</i>	\$150
<input type="checkbox"/>	087AT17	E0971	Rear Anti-Tip	\$140

Positioning Belt (w/clamps)

<input type="checkbox"/>	087A112	E0978	1" Dual Pull Side Squeeze Padded	\$85
<input type="checkbox"/>	087A117	E0978	Belt 2" Aircraft Buckle	\$110
<input type="checkbox"/>	087A118	E0978	Belt 2" Aircraft Buckle Padded	\$120
<input type="checkbox"/>	087A141	E0978	Belt 1.5" Auto Buckle	\$70
<input type="checkbox"/>	087A814	E0978	1" Comfort Fit APB5116	\$120

Upper Extremity Support Tray

<input type="checkbox"/>	087A29	E0950	X-Small <i>(Suggested 10"-12" chair width)</i>	\$255
<input type="checkbox"/>	087A30	E0950	Small <i>(Suggested 13"-14" chair width)</i>	\$255
<input type="checkbox"/>	087A31	E0950	Medium <i>(Suggested 15"-17" chair width)</i>	\$255
<input type="checkbox"/>	087A32	E0950	Large <i>(Suggested 18"-20" chair width)</i>	\$255

Spoke Guard

(N/A with 12", 16" and 18" rear wheels & Projections Handrims)

<input type="checkbox"/>	087A23	K0065	Black	\$115
<input type="checkbox"/>	087A303	K0065	Clear Zippie	\$115

Canopy (SunShade)

(Need 2" back post clearance to mount canopy hardware, may require next height based on seating; please note some interference may occur with some headrest configurations)

<input type="checkbox"/>	0878A06	K0108	Canopy (Sunshade) 10"-14" Width	\$275
<input type="checkbox"/>	0878A07	K0108	Canopy (Sunshade) 15"-20" Width	\$275

Back Pack (Kids Backpack included)

<input type="checkbox"/>	087A1		Utility Backpack - Black	\$65
<input type="checkbox"/>	087A2		Additional Kids Black Backpack	\$60

Miscellaneous

<input type="checkbox"/>	087A83		Tool Kit	\$45
<input type="checkbox"/>	087A8		Black Seat Pouch	\$50

10. COLOR

Standard Colors

<input type="checkbox"/>	087C140		Aztec Gold	NC
<input type="checkbox"/>	087C2		Black <i>(N/A as base w/Zebra)</i>	NC
<input type="checkbox"/>	087C141		Black Cherry	NC
<input type="checkbox"/>	087C10		Black Opal	NC
<input type="checkbox"/>	087C38		Blue Opal	NC
<input type="checkbox"/>	087C36		Candy Blue	NC
<input type="checkbox"/>	087C14		Candy Purple	NC
<input type="checkbox"/>	087C35		Candy Red	NC
<input type="checkbox"/>	087C142		Electric Blue	NC
<input type="checkbox"/>	087C143		Evergreen	NC
<input type="checkbox"/>	087C126		Glow	NC
<input type="checkbox"/>	087C144		Green Apple	NC
<input type="checkbox"/>	087C147		Hot Sparkle Pink	NC
<input type="checkbox"/>	087C148		Mauve Pink	NC
<input type="checkbox"/>	087C103		Rootbeer	NC
<input type="checkbox"/>	087C114		Sparkle Silver	NC
<input type="checkbox"/>	087C145		Sunrise Orange	NC
<input type="checkbox"/>	087C113		Titanium Color Paint	NC
<input type="checkbox"/>	087C8		Yellow	NC

Standard Matte Colors

<input type="checkbox"/>	087C116		Matte Black	NC
<input type="checkbox"/>	087C151		Matte Black Cherry	NC
<input type="checkbox"/>	087C152		Matte Purple	NC
<input type="checkbox"/>	087C150		Matte Electric Blue	NC
<input type="checkbox"/>	087C149		Matte Evergreen	NC

Custom Colors

<input type="checkbox"/>	087C43		Mossy Oak Camouflage	\$295
<input type="checkbox"/>	087C42		Stars and Stripes	\$295
<input type="checkbox"/>	087C108		Zebra <i>(Choose base color above: White Std, N/A black)</i>	\$295

Additional Options Through Built-4-Me

To inquire about any unique customization for Zippie products, contact: Phone: (800) 333-4000, Fax: (800) 333-9011



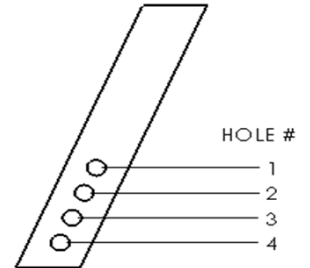
Commonly Requested Options Include:

- ✓ Dynamic Back
- ✓ Reclining Backrest
- ✓ Custom Anodizing
- ✓ Custom Paint
- ✓ O2 Holder with Transit
- ✓ IV Pole with Transit

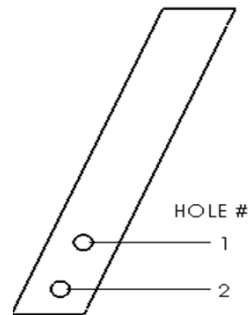
Zippie GS Seat Height Setup

Caster Fork Size	Caster Stem	Caster Fork Hole Position	Caster Size							
			3"	4"	5"	6"	8"x1"	8"x1.5"	8"x2"	
5-1/4" (N/A with 8"x2" caster)	Std	1		N/A	14.0"	N/A		N/A	N/A	N/A
		2	N/A	14.0"	14.5"	15.0"				
		3	14.0"	14.5"	15.0"	15.5"				
		4	14.5"	15.0"	15.5"	16.0"	17.0"	16.5"		
	+3/4"	1	N/A	N/A	14.5"	N/A		N/A	N/A	N/A
		2	N/A	14.5"	15.0"	15.5"				
		3	14.5"	15.0"	15.5"	16.0"				
		4	15.0"	15.5"	16.0"	16.5"	17.5"	17.5"		
	+1-1/2"	1	N/A	N/A	15.5"	N/A		N/A	N/A	N/A
		2	N/A	15.5"	16.0"	16.5"				
		3	15.5"	16.0"	16.5"	17.0"				
		4	16.0"	16.5"	17.0"	17.5"	18.5"	18.0"		
6" (N/A with 8"x2" caster)	Std	1	N/A	N/A	14.5"	15.0"	N/A	N/A		N/A
		2	N/A	14.5"	15.0"	15.5"	16.5"	16.5"		
		3	14.5"	15.0"	15.5"	16.0"	17.0"	17.0"		
		4	15.0"	15.5"	16.0"	16.5"	17.5"	17.5"		
	+3/4"	1	N/A	N/A	15.5"	16.0"	N/A	N/A		N/A
		2	N/A	15.5"	16.0"	16.5"	17.5"	17.0"		
		3	15.5"	16.0"	16.5"	17.0"	18.0"	17.5"		
		4	16.0"	16.5"	17.0"	17.5"	18.5"	18.0"		
	+1-1/2"	1	N/A	N/A	16.0"	16.5"	N/A	N/A		N/A
		2	N/A	16.0"	16.5"	17.0"	18.0"	18.0"		
		3	16.0"	16.5"	17.0"	17.5"	18.5"	18.5"		
		4	16.5"	17.0"	17.5"	18.0"	19.0"	19.0"		
7" (N/A with 8"x2" caster)	Std	1	N/A	N/A	15.5"	16.0"	17.0"	17.0"		N/A
		2	N/A	15.5"	16.0"	16.5"	17.5"	17.5"		
		3	15.5"	16.0"	16.5"	17.0"	18.0"	18.0"		
		4	16.0"	16.5"	17.0"	17.5"	18.5"	18.5"		
	+3/4"	1	N/A	N/A	16.0"	16.5"	18.0"	17.5"		N/A
		2	N/A	16.0"	16.5"	17.0"	18.5"	18.0"		
		3	16.0"	16.5"	17.0"	17.5"	19.0"	18.5"		
		4	16.5"	17.0"	17.5"	18.0"	19.5"	19.0"		
	+1-1/2"	1	N/A	N/A	17.0"	17.5"	18.5"	18.5"		N/A
		2	N/A	17.0"	17.5"	18.0"	19.0"	19.0"		
		3	17.0"	17.5"	18.0"	18.5"	19.5"	19.5"		
		4	17.5"	18.0"	18.5"	19.0"	20.0"	20.0"		
8" Wide (Must use with 8"x2" caster)	Std	1	N/A						16.5"	
		2	N/A						17.5"	
	+3/4"	1	N/A						17.5"	
		2	N/A						18.5"	
	+1-1/2"	1	N/A						18.0"	
		2	N/A						19.0"	

5-1/4", 6" & 7" Fork



8" Wide Fork



Sunrise Medical (US) LLC

2842 Business Park Ave. · Fresno, CA 93727 · USA