



Quickie SR45™

January 2019

EIZ9

Mark For:

Submitting for:

Quote

Order

Date: _____

PO#: _____

Dealer Acct #: _____

Dealer: _____

Dealer Contact: _____

Dealer Address: _____

Dealer City: _____ ST: _____ ZIP: _____

Dealer Phone: () _____ Fax: () _____

Confirmation Email: _____

Confirm Via: Fax Email

ADDITIONAL SHIPPING INFORMATION

Ship To: _____

Attention: _____

Address: _____

Address: _____

Ship To City: _____ ST: _____ ZIP: _____

Ship To Phone: () _____ Fax: () _____

The **HCPCS CODES** provided are based on code verification through PDAC or our interpretation of the code definitions.

The use of **HCPCS CODES** does not ensure coverage or payment. For coverage information, verify the appropriate payer's coverage policy.

✓	Option #	HCPCS	Definition	Price	✓	Option #	HCPCS	Definition	Price
---	----------	-------	------------	-------	---	----------	-------	------------	-------

1. FRAME

Base Model

<input type="checkbox"/>	194WM77	E1161	Quickie SR45 For 14" sizes use E1233	\$2,715.00
--------------------------	---------	-------	---	------------

Frame Options

<input type="checkbox"/>	194FO3		Standard Base and Seat Frame Maximum Weight: 265 lbs.	NC
--------------------------	--------	--	--	----

Transit

<input type="checkbox"/>	194TO38	K0108	Transit Option	\$250.00
--------------------------	---------	-------	----------------	----------

Tilt Release

<input type="checkbox"/>	194TT12		Backrest Dual Trigger Cable Release	NC
<input type="checkbox"/>	194TT13		Foot Tilt Release Mounted on Right Side of frame	\$50.00

Tilt Angle

<input type="checkbox"/>	194TA2		0° to 45°	NC
--------------------------	--------	--	-----------	----



Quickie SR45 shown with the JAY® J3™ backrest and JAY® 3™ cushion.



Quickie SR45 features IRIS™ (Intelligent Rotation In-Space) technology.

✓	Option #	HCPCS	Definition	Price	✓	Option #	HCPCS	Definition	Price
2. SIZE / SEATING									

Frame Width			
<input type="checkbox"/>	194W5		14" NC
<input type="checkbox"/>	194W6		15" NC
<input type="checkbox"/>	194W7		16" NC
<input type="checkbox"/>	194W8		17" NC
<input type="checkbox"/>	194W9		18" NC
<input type="checkbox"/>	194W10		19" NC
<input type="checkbox"/>	194W11	E2201	20" \$500.00

Seat Type			
<input type="checkbox"/>	194ST35	E2231	Standard Seat Pan \$200.00
<input type="checkbox"/>	194ST7		Omit Seat Pan NC

JAY Cushions (Optional)			
To order any JAY cushions on-chair, please see the JAY price list. Cushion name or part number must be filled out with desired width and depth			
<input type="checkbox"/>	194JC20	JAY Bundled Cushion Cushion Name or Part # Width: _____ Depth: _____	Price List

Frame Depth Set Up (Fill out either A or B)

A. Setup By QUICKIE			
A. Desired Seat Depth			
See Figure 1 for pricing, Figure 2 , Dimension A for measurement			
<input type="checkbox"/>	194SD7		14" NC
<input type="checkbox"/>	194SD8		15" NC
<input type="checkbox"/>	194SD9		16" NC
<input type="checkbox"/>	194SD10		17" Figure 1.1
<input type="checkbox"/>	194SD11		18" Figure 1.1
<input type="checkbox"/>	194SD12		19" Figure 1.1
<input type="checkbox"/>	194SD13	E2203	20" Figure 1.1
<input type="checkbox"/>	194SD14	E2203	21" Figure 1.1
<input type="checkbox"/>	194SD33	E2204	22" Figure 1.1

B. Setup By DEPTH			
B. Frame Depth Range			
<input type="checkbox"/>	194FL91		Short Seat Frame 14"-18" NC
<input type="checkbox"/>	194FL92		Medium Seat Frame 16"-20" NC
<input type="checkbox"/>	194FL93		Long Seat Frame 18"-22" NC

A. User's Seated Height			
See Figure 2 , Dimension B. Distance from seat surface to top of the head.			
<input type="checkbox"/>	194SJ01		Less than 37" NC
<input type="checkbox"/>	194SJ02		37" or Greater NC

B. Frame Depth			
<input type="checkbox"/>	194FD5		14" recommend short seat frame NC
<input type="checkbox"/>	194FD6		15" recommend short seat frame NC
<input type="checkbox"/>	194FD7		16" recommend short seat frame NC
<input type="checkbox"/>	194FD8		17" recommend short seat frame NC
<input type="checkbox"/>	194FD9		18" recommend medium seat frame NC
<input type="checkbox"/>	194FD10		19" recommend medium seat frame NC
<input type="checkbox"/>	194FD11	E2203	20" recommend long seat frame \$550.00
<input type="checkbox"/>	194FD16	E2203	21" recommend long seat frame \$550.00
<input type="checkbox"/>	194FD17	E2204	22" recommend long seat frame \$900.00

OR

Figure 1

Desired Seat	3	2	1	Flush	-1	-2
14"	NC	NC	NC	NC	N/A	N/A
15"	NC	NC	NC	NC	N/A	N/A
16"	NC	NC	NC	NC	NC	N/A
17"	\$550	NC	NC	NC	NC	NC
18"	\$550	\$550	NC	NC	NC	NC
19"	\$900	\$550	\$550	NC	NC	NC
20"	N/A	\$900	\$550	\$550	NC	NC
21"	N/A	N/A	\$900	\$550	\$550	NC
22"	N/A	N/A	N/A	\$900	\$550	\$550

A. Top of Cushion to Seat Rail

See **FIGURE 3** Dimensions A & B. This measurement is taken from the top of the cushion to the upper surface of the seat rail. If the cushion has a wedged shape and/or has significant lateral pelvic contour, then determine the height of the cushion at the point where the ischial tuberosities would contact (not immerse) the cushion surface.

<input type="checkbox"/>	194CJ04	2 1/2" or Greater	NC
<input type="checkbox"/>	194CJ05	Less than 2 1/2"	NC
<input type="checkbox"/>	194CJ03	Below Seat Rail	NC

Figure 2

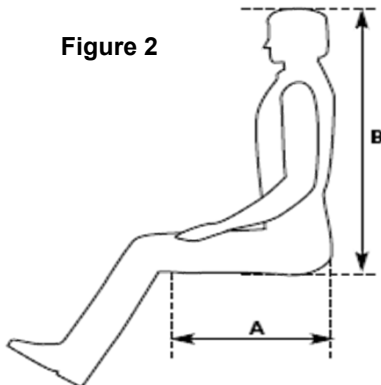
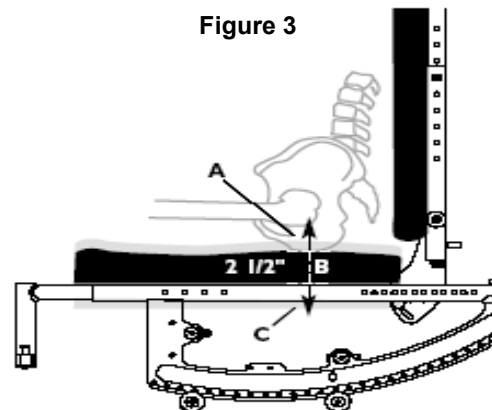


Figure 3



3. CASTERS / SEAT HEIGHT

Rear Wheel Size	CASTER SIZE					
	□ 4	□ 5	□ 6	□ 8x1	□ 8x1.5	□ 8x2
□ 12"		□ 16.0	□ 16.0			
		□ 16.5	□ 16.5			
		□ 17.0	□ 17.0			
		□ 17.5	□ 17.5	□ 17.5	□ 17.5	□ 17.5
□ 12" Low Poly		□ 15.0				
		□ 15.5	□ 16.0			
		□ 16.0	□ 16.5			
		□ 16.5	□ 17.0			
□ 16"	□ 14.0	□ 15.0				
	□ 15.0	□ 17.0	□ 17.0			
		□ 17.5	□ 17.5	□ 17.5	□ 17.5	□ 17.5
		□ 18.0	□ 18.0	□ 18.0	□ 18.0	
		□ 18.5	□ 18.5	□ 18.5	□ 18.5	□ 18.5
					□ 19.0	
□ 20"		□ 16.0	□ 16.0			
		□ 16.5	□ 16.5			
		□ 17.0	□ 17.0		□ 17.5	
		□ 17.5	□ 17.5	□ 19.5	□ 20.0	□ 17.5
			□ 19.5	□ 20.0	□ 20.5	□ 19.5
□ 22"		□ 16.5	□ 16.5			
		□ 17.0	□ 17.0		□ 17.5	
		□ 17.5	□ 17.5	□ 17.5	□ 18.0	□ 17.5
		□ 18.0	□ 18.0	□ 18.0	□ 18.5	
□ 24"		□ 17.5	□ 17.5	□ 17.5	□ 18.0	
		□ 18.0	□ 18.0	□ 18.0	□ 18.5	□ 17.5
		□ 18.5	□ 18.5	□ 18.5	□ 19.0	□ 18.5
		□ 19.0	□ 19.0	□ 19.0	□ 19.5	

Casters				
□	194CW73		4" x 1.25" Semi Pneumatic	NC
□	194CW5		5" Low Profile Polyurethane	NC
□	194CW7	E2219	5" X 1.5" Semi Pneumatic	\$85.00
□	194CW34		6" Polyurethane	NC
□	194CW35	E2219	6"x 1.5" Semi Pneumatic	\$85.00
□	194CW32		8" Polyurethane	NC
□	194CW39	E2219	8"x 1.5" Semi Pneumatic	\$85.00
□	194CW36	E2214 E2215	8"x 2" Pneumatic	\$145.00
□	194CW100	E2214 K0108	8"x 2" Pneumatic w/Insert	\$250.00

4. REAR WHEELS / SEAT HEIGHT

Rear Wheel				
□	194RW13		12" Mag Wheel	NC
□	194RW14		16" Mag Wheel	NC
□	194RW3		20" Mag Wheel	NC
□	194RW8		22" Mag Wheel	NC
□	194RW1		24" Mag Wheel	NC

Handrim				
<i>12" and 16" wheels not available with handrims.</i>				
□	194HR1		Aluminum Anodized	NC
□	194HR4		Plastic Coated	\$100.00
□	194HR7		Omit Handrim	NC

Rear Wheel Tire				
□	194RT3		Full Polyurethane <i>N/A with 12" and 16"</i>	NC
□	194RT4		Low Polyurethane <i>Only available with 12" Mag Wheel</i>	NC
□	194RT1		Pneumatic	NC
□	194RT2	E2213 E2211	Pneumatic Airless Insert	\$85.00

Axle				
□	194AX1		Quick Release	NC
□	194AX44		Threaded	\$25.00

5. WHEEL LOCKS

Wheel Lock				
□	194WL8		Push To Lock	NC
□	194WL43		Rear Foot Operated Wheel Lock	\$75.00
□	194WL10		Omit Wheel Lock	NC

Wheel Lock Extension Handle				
<i>Not available with rear foot operated wheel lock</i>				
□	194EH7	E0961	Extension Handle (Pair)	\$75.00

✓ Option # HCPCS Definition Price ✓ Option # HCPCS Definition Price

6. HANGER AND FOOTREST

Hanger				
<i>Front mount hangers only available w/ Alum angle adj footplates</i>				
<input type="checkbox"/>	194H139		70° Swing In/Swing Out -Ext. Mount	NC
<input type="checkbox"/>	194H140		70° Swing In/Swing Out -Front Mount	NC
<input type="checkbox"/>	194H141		80° Swing In/Swing Out -Ext. Mount <i>N/A with all 8" casters</i>	NC
<input type="checkbox"/>	194H142		80° Swing In/Swing Out -Front Mount	NC
<input type="checkbox"/>	194H159	K0053	Articulating Hanger <i>N/A w/ Platform Flip Up and Alum Angle Adj Front Mount footplates.</i>	\$370.00
<input type="checkbox"/>	194H160	E0990	Elevating Hanger - Ext Mount <i>N/A w/ Platform Flip Up and Alum Angle Adj Front Mount footplates.</i>	\$315.00
<input type="checkbox"/>	194H161	E0990	Elevating Hanger - Front Mount <i>Only available w/ front mount alum angle adj footplates and 14"-22" width</i>	\$315.00
<input type="checkbox"/>	194H144		Omit Hanger	NC

Extension Tube (NA w/ Front Mount Hangers)				
<i>See lower leg length matrix</i>				
<input type="checkbox"/>	194E1		Short (N/A with ELR)	NC
<input type="checkbox"/>	194E2		Medium	NC
<input type="checkbox"/>	194E5		Long	NC

Lower Leg Length Range Matrix				
Hanger	Ext Tube	Footplate		
		Composite	Alum Angle Adj	Aluminum
		70° Swing In/Out	Short	10.0" - 14.0"
	Medium	11.0" - 15.9"	11.1" - 16.0"	NA
	Long	12.9" - 17.8"	13.0" - 17.9"	NA
80° Swing In/Out	Short	9.9" - 11.0"	10.1" - 13.7"	NA
	Medium	11.0" - 15.5"	11.1" - 15.7"	NA
	Long	12.7" - 17.3"	12.9" - 17.4"	NA

All values are ± 0.25" and based on flat seat heights and do not account for the minimum 2" ground clearance or footplate thickness. Full range not available with all seat heights. ELR measurements taken with ELR fully

Front Mount Extension Tubes (NA w/ Extension Mount Hangers)				
<i>Optional, not required for Front Mount Hangers</i>				
<input type="checkbox"/>	194E23		2"	\$55.00
<input type="checkbox"/>	194E24		4" <i>N/A w/14", 15" Seat To Floor Ht, N/A w/80° Hangers & 8" casters</i>	\$55.00

Hanger Mount			
Ext	None	2"	4"
70°	3.1" - 8.8"	3.1" - 11.1"	3.1" - 13.0"
80°	3.3" - 9.2"	3.3" - 11.7"	3.3" - 13.7"
90°	2.7" - 8.7"	2.7" - 11.2"	2.7" - 13.2"

Footplates				
<i>Heel loop not included, see Footplate Options section below</i>				
<input type="checkbox"/>	194F1		Composite	NC
<input type="checkbox"/>	194F5		Aluminum <i>Only Avail w/ Elevating Legrest</i>	NC
<input type="checkbox"/>	194F291	K0040	Aluminium Angle Adjustable	\$190.00

Footplate Options				
<input type="checkbox"/>	194HL1	E0951	Heel Loops	\$40.00
<input type="checkbox"/>	1945A02	E0952	Toe Loops (pair) <i>Only Avail w/ Angle Adj. Footplate</i>	\$20.00

Hanger	Extension	Seat Sling to Top of Footrest		Min Allowable FSH
		Min	Max	
ALR	Short	8 1/2	16	10 1/2
	Med	10	18	12
	Long	12	20	14
ELR Ext. Mount	Short	8	14 1/2	10
	Med	8	16 1/2	10
	Long	9 1/2	18 1/2	11 1/2
ELR Front Mount	No Ext (top hole)	3 1/2	7 1/2	5 1/2
	2" ext tube	7 1/4	10 1/4	9 1/4
	4" ext tube	9 1/4	12 1/4	11 1/4
	6" ext tube	11 1/4	14 1/4	13 1/4

7. BACKREST / SEATING

Backrest Type				
<input type="checkbox"/>	194BT3		Non Folding Backrest <i>N/A with Height Adjustable Back</i>	NC
<input type="checkbox"/>	194BT99		Folding Backrest <i>N/A with Reclining Backrest</i>	\$50.00

Backrest Options				
<input type="checkbox"/>	194OD19		Removable Extension <i>N/A with Height adj. back with adjustable stroller handle.</i>	\$85.00

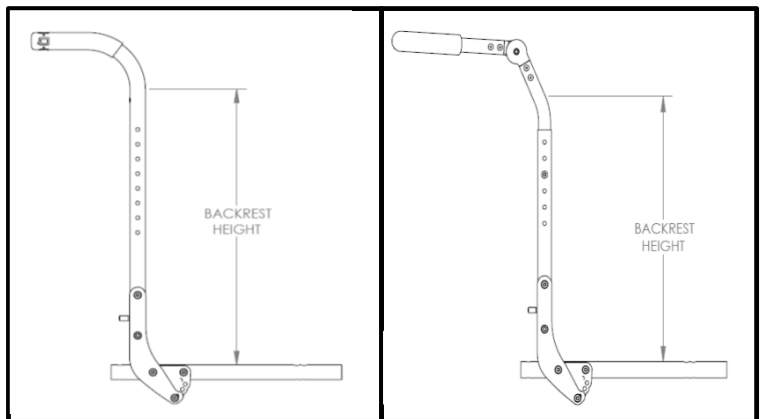
Backpost Style - Select only one option within A, B, or C

A. Stroller Handle Backpost (Fixed)				
<i>Folding Backrest adds 1" to the listed values.</i>				
<input type="checkbox"/>	194BP48		Low (18")	NC
<input type="checkbox"/>	194BP49		Medium (21")	NC
<input type="checkbox"/>	194BP50		Tall (24")	NC

B. Height Adjustable Back w/ Adj. Stroller Handles				
<input type="checkbox"/>	194BP51		Standard 15"-21"	NC
<input type="checkbox"/>	194BP52		Tall 18"-24"	NC

C. Reclining Backrest				
<i>Not available with 22" Deep Frame</i>				
<input type="checkbox"/>	194BP53	E1225	Medium (21")	\$885.00
<input type="checkbox"/>	194BP54	E1225	Tall (24")	\$885.00

JAY J3 Back				
<input type="checkbox"/>	194JB01		JAY J3 Back	See OF



Reclining/Fixed Handle Ht. Diagram Height Adj. Handle Height Diagram

7. BACKREST / SEATING (CONT)

A. Backrest Position (set up by Quickie)

See **FIGURE 4** Dimension C. The location of the backrest surface in relation to the front of the backpost. The measurement is taken from the front surface of the backpost to the deepest area of the backrest in contact with the user's body.

<input type="checkbox"/>	194BQ01	+3"	NC
<input type="checkbox"/>	194BQ05	+2"	NC
<input type="checkbox"/>	194BQ02	+1"	NC
<input type="checkbox"/>	194BQ03	Flush	NC
<input type="checkbox"/>	194BQ04	-1"	NC
<input type="checkbox"/>	194BQ06	-2"	NC

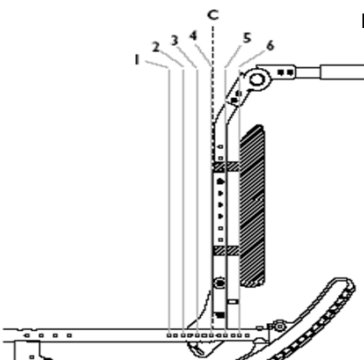


Figure 4

Back Type	
1	3" forward (+3")
2	2" forward (+2")
3	1" forward (+1")
4	Flush
5	1" rearward (-1")
6	2" rearward (-2")

8. ARMREST / SIDEGUARDS

Armrest

Armrests w/ Transfer Bar N/A w/ 14" Seat Depth

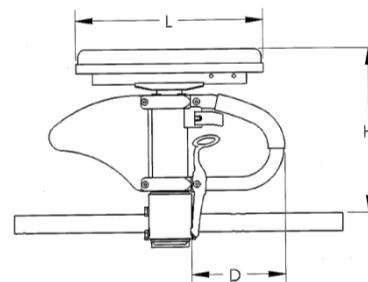
<input type="checkbox"/>	194AA100	E0973	Dual Post Height Adj No Transfer Bar	\$255.00
<input type="checkbox"/>	194AA101	E0973	Dual Post Height Adj w/Transfer Bar	\$265.00
<input type="checkbox"/>	194AA102	E0973	Dual Post Flip Back Height Adj No Transfer Bar	\$285.00
<input type="checkbox"/>	194AA103	E0973	Dual Post Flip Back Height Adj w/Transfer Bar	\$295.00
<input type="checkbox"/>	194AA104	E0973	Single Post Height Adjustable - Std	\$285.00
<input type="checkbox"/>	194AA105	E0973	Single Post Height Adjustable - Low	\$285.00
<input type="checkbox"/>	194AA14		Omit Armrest	NC

Armpad

<input type="checkbox"/>	194AM25	Desk	NC
<input type="checkbox"/>	194AM26	Full	NC

Armrest Receiver (Single Post Height Adjustable Only)

<input type="checkbox"/>	194AR17	Low	NC
<input type="checkbox"/>	194AR18	Std	NC



Armrest Matrix for Single Post					
Armrest Size	Transfer Tube Length D	Receiver	H Range	Pad Length L	
				Desk	Full
STD	8"	STD	10 3/4" to 15 3/4"	10 1/4"	14"
		LOW	8 3/4" to 13 3/4"		
LOW	5 1/4"	STD	9" to 13"		
		LOW	7 1/4" to 11 1/4"		

9. KEY OPTIONS AND ACCESSORIES

Anti Tips

<input type="checkbox"/>	194AT1	E0971	Anti Tips (Pair)	\$150.00
--------------------------	--------	-------	------------------	----------

Positioning Belt

<input type="checkbox"/>	194A141	E0978	1.5" Auto Buckle Universal w/Clamp	\$70.00
<input type="checkbox"/>	194A118	E0978	2" Aircraft Buckle Pad w/Clamp	\$120.00
<input type="checkbox"/>	194A120		Positioning Belt Clamps Only	\$50.00

Misc.

<input type="checkbox"/>	194A1		Black Utility Backpack	\$75.00
<input type="checkbox"/>	194TS03		Tilt Stops	\$30.00

✓	Option #	HCPCS	Definition	Price	✓	Option #	HCPCS	Definition	Price
10. COLOR									

Standard Frame Colors				
<input type="checkbox"/>	194C140		Aztec Gold	NC
<input type="checkbox"/>	194C2		Black <i>(Not avail as base w/Zebra)</i>	NC
<input type="checkbox"/>	194C141		Black Cherry	NC
<input type="checkbox"/>	194C10		Black Opal	NC
<input type="checkbox"/>	194C38		Blue Opal	NC
<input type="checkbox"/>	194C36		Candy Blue	NC
<input type="checkbox"/>	194C14		Candy Purple	NC
<input type="checkbox"/>	194C35		Candy Red	NC
<input type="checkbox"/>	194C142		Electric Blue	NC
<input type="checkbox"/>	194C143		Evergreen	NC
<input type="checkbox"/>	194C126		Glow	NC
<input type="checkbox"/>	194C144		Green Apple	NC
<input type="checkbox"/>	194C147		Hot Sparkle Pink	NC
<input type="checkbox"/>	194C148		Mauve Pink	NC
<input type="checkbox"/>	194C103		Rootbeer	NC
<input type="checkbox"/>	194C114		Sparkle Silver	NC
<input type="checkbox"/>	194C145		Sunrise Orange	NC
<input type="checkbox"/>	194C113		Titanium Color Paint	NC
<input type="checkbox"/>	194C8		Yellow	NC

Matte Frame Colors				
<input type="checkbox"/>	194C116		Matte Black	NC
<input type="checkbox"/>	194C151		Matte Black Cherry	NC
<input type="checkbox"/>	194C150		Matte Electric Blue	NC
<input type="checkbox"/>	194C149		Matte Evergreen	NC
<input type="checkbox"/>	194C152		Matte Purple	NC

Custom Frame Color			
<input type="checkbox"/>	194C112	Desert Camouflage	\$395.00
<input type="checkbox"/>	194C43	Mossy Oak Camouflage	\$395.00
<input type="checkbox"/>	194C42	Stars & Stripes	\$395.00
<input type="checkbox"/>	194C108	Zebra <i>(Choose above base color) Std with White unless above base paint is chosen N/A w/ Blk, Matte Black, Blk Opal, Titanium)</i>	\$395.00

Additional Options Through Built for Me

To inquire about any unique customization for Quickie products, contact: Phone: (800) 333 - 4000, Fax: (800) 333 9011



Sunrise Medical (US) LLC
2842 Business Park Ave. · Fresno, CA 93727 · USA



JAY[®] Signature Series Backrest and Accessories

Note: Not all sizes and configurations shown below, for full offering visit www.sunrisemedical.com

When ordering mark the part number desired and it will be added to the order as a separate line item .

JAY BACKREST

JAY J3 Back PA (2.2" Contour Depth)

MT Shells- 4 Point Standard Hardware

<input type="checkbox"/>	J3PAMTT12FS	E2613	12" Wide J3 Back w/ 15" Shell Height	\$580.00
<input type="checkbox"/>	J3PAMTT14FS	E2613	14" Wide J3 Back w/ 15" Shell Height	\$580.00
<input type="checkbox"/>	J3PAMTT16FS	E2613	16" Wide J3 Back w/ 15" Shell Height	\$580.00
<input type="checkbox"/>	J3PAMTT18FS	E2613	18" Wide J3 Back w/ 15" Shell Height	\$580.00
<input type="checkbox"/>	J3PAMTT20FS	E2613	20" Wide J3 Back w/ 15" Shell Height	\$580.00

UT Shells- 4 Point Standard Hardware

<input type="checkbox"/>	J3PAUTS12FS	E2613	12" Wide J3 Back w/ 16.5" Shell Height	\$580.00
<input type="checkbox"/>	J3PAUTS14FS	E2613	14" Wide J3 Back w/ 16.5" Shell Height	\$580.00
<input type="checkbox"/>	J3PAUTS16FS	E2613	16" Wide J3 Back w/ 16.5" Shell Height	\$580.00
<input type="checkbox"/>	J3PAUTS18FS	E2613	18" Wide J3 Back w/ 16.5" Shell Height	\$580.00
<input type="checkbox"/>	J3PAUTS20FS	E2613	20" Wide J3 Back w/ 16.5" Shell Height	\$580.00
<input type="checkbox"/>	J3PAUTM14FS	E2613	14" Wide J3 Back w/ 18" Shell Height	\$580.00
<input type="checkbox"/>	J3PAUTM16FS	E2613	16" Wide J3 Back w/ 18" Shell Height	\$580.00
<input type="checkbox"/>	J3PAUTM18FS	E2613	18" Wide J3 Back w/ 18" Shell Height	\$580.00
<input type="checkbox"/>	J3PAUTM20FS	E2613	20" Wide J3 Back w/ 18" Shell Height	\$580.00
<input type="checkbox"/>	J3PAUTM22FS	E2614	22" Wide J3 Back w/ 18" Shell Height	\$795.00
<input type="checkbox"/>	J3PAUTT14FS	E2613	14" Wide J3 Back w/ 19.5" Shell Height	\$580.00
<input type="checkbox"/>	J3PAUTT16FS	E2613	16" Wide J3 Back w/ 19.5" Shell Height	\$580.00
<input type="checkbox"/>	J3PAUTT18FS	E2613	18" Wide J3 Back w/ 19.5" Shell Height	\$580.00
<input type="checkbox"/>	J3PAUTT20FS	E2613	20" Wide J3 Back w/ 19.5" Shell Height	\$580.00

SH Shells- 4 Point Standard Hardware

<input type="checkbox"/>	J3PASHS14FS	E2613	14" Wide J3 Back w/ 21" Shell Height	\$580.00
<input type="checkbox"/>	J3PASHS16FS	E2613	16" Wide J3 Back w/ 21" Shell Height	\$580.00
<input type="checkbox"/>	J3PASHS18FS	E2613	18" Wide J3 Back w/ 21" Shell Height	\$580.00
<input type="checkbox"/>	J3PASHS20FS	E2613	20" Wide J3 Back w/ 21" Shell Height	\$580.00
<input type="checkbox"/>	J3PASHS22FS	E2614	22" Wide J3 Back w/ 21" Shell Height	\$795.00
<input type="checkbox"/>	J3PASHM16FS	E2613	16" Wide J3 Back w/ 22.5" Shell Height	\$580.00
<input type="checkbox"/>	J3PASHM18FS	E2613	18" Wide J3 Back w/ 22.5" Shell Height	\$580.00
<input type="checkbox"/>	J3PASHM20FS	E2613	20" Wide J3 Back w/ 22.5" Shell Height	\$580.00
<input type="checkbox"/>	J3PASHT18FS	E2613	18" Wide J3 Back w/ 24" Shell Height	\$580.00
<input type="checkbox"/>	J3PASHT20FS	E2613	20" Wide J3 Back w/ 24" Shell Height	\$580.00

JAY J3 Back PD (6" Contour Depth)

MT Shells- 4 Point Standard Hardware

<input type="checkbox"/>	J3PDMTT14FS	E2620	14" Wide J3 Back w/ 15" Shell Height	\$795.00
<input type="checkbox"/>	J3PDMTT16FS	E2620	16" Wide J3 Back w/ 15" Shell Height	\$795.00
<input type="checkbox"/>	J3PDMTT18FS	E2620	18" Wide J3 Back w/ 15" Shell Height	\$795.00
<input type="checkbox"/>	J3PDMTT20FS	E2620	20" Wide J3 Back w/ 15" Shell Height	\$795.00

UT Shells- 4 Point Standard Hardware

<input type="checkbox"/>	J3PDUTM14FS	E2620	14" Wide J3 Back w/ 18" Shell Height	\$795.00
<input type="checkbox"/>	J3PDUTM16FS	E2620	16" Wide J3 Back w/ 18" Shell Height	\$795.00

JAY J3 Back PL (3" Contour Depth)

MT Shells- 4 Point Standard Hardware

<input type="checkbox"/>	J3PLMTT12FS	E2615	12" Wide J3 Back w/ 15" Shell Height	\$670.00
<input type="checkbox"/>	J3PLMTT14FS	E2615	14" Wide J3 Back w/ 15" Shell Height	\$670.00
<input type="checkbox"/>	J3PLMTT16FS	E2615	16" Wide J3 Back w/ 15" Shell Height	\$670.00
<input type="checkbox"/>	J3PLMTT18FS	E2615	18" Wide J3 Back w/ 15" Shell Height	\$670.00
<input type="checkbox"/>	J3PLMTT20FS	E2615	20" Wide J3 Back w/ 15" Shell Height	\$670.00

UT Shells- 4 Point Standard Hardware

<input type="checkbox"/>	J3PLUTS12FS	E2615	12" Wide J3 Back w/ 16.5" Shell Height	\$670.00
<input type="checkbox"/>	J3PLUTS14FS	E2615	14" Wide J3 Back w/ 16.5" Shell Height	\$670.00
<input type="checkbox"/>	J3PLUTS16FS	E2615	16" Wide J3 Back w/ 16.5" Shell Height	\$670.00
<input type="checkbox"/>	J3PLUTS18FS	E2615	18" Wide J3 Back w/ 16.5" Shell Height	\$670.00
<input type="checkbox"/>	J3PLUTS20FS	E2615	20" Wide J3 Back w/ 16.5" Shell Height	\$670.00
<input type="checkbox"/>	J3PLUTM14FS	E2615	14" Wide J3 Back w/ 18" Shell Height	\$670.00
<input type="checkbox"/>	J3PLUTM16FS	E2615	16" Wide J3 Back w/ 18" Shell Height	\$670.00
<input type="checkbox"/>	J3PLUTM18FS	E2615	18" Wide J3 Back w/ 18" Shell Height	\$670.00
<input type="checkbox"/>	J3PLUTM20FS	E2615	20" Wide J3 Back w/ 18" Shell Height	\$670.00
<input type="checkbox"/>	J3PLUTT14FS	E2615	14" Wide J3 Back w/ 19.5" Shell Height	\$670.00
<input type="checkbox"/>	J3PLUTT16FS	E2615	16" Wide J3 Back w/ 19.5" Shell Height	\$670.00
<input type="checkbox"/>	J3PLUTT18FS	E2615	18" Wide J3 Back w/ 19.5" Shell Height	\$670.00
<input type="checkbox"/>	J3PLUTT20FS	E2615	20" Wide J3 Back w/ 19.5" Shell Height	\$670.00

SH Shells- 4 Point Standard Hardware

<input type="checkbox"/>	J3PLSHS14FS	E2615	14" Wide J3 Back w/ 21" Shell Height	\$670.00
<input type="checkbox"/>	J3PLSHS16FS	E2615	16" Wide J3 Back w/ 21" Shell Height	\$670.00
<input type="checkbox"/>	J3PLSHS18FS	E2615	18" Wide J3 Back w/ 21" Shell Height	\$670.00
<input type="checkbox"/>	J3PLSHS20FS	E2615	20" Wide J3 Back w/ 21" Shell Height	\$670.00
<input type="checkbox"/>	J3PLSHM16FS	E2615	16" Wide J3 Back w/ 22.5" Shell Height	\$670.00
<input type="checkbox"/>	J3PLSHM18FS	E2615	18" Wide J3 Back w/ 22.5" Shell Height	\$670.00
<input type="checkbox"/>	J3PLSHM20FS	E2615	20" Wide J3 Back w/ 22.5" Shell Height	\$670.00
<input type="checkbox"/>	J3PLSHT18FS	E2615	18" Wide J3 Back w/ 24" Shell Height	\$670.00
<input type="checkbox"/>	J3PLSHT20FS	E2615	20" Wide J3 Back w/ 24" Shell Height	\$670.00

JAY J3 Back Headrest

AXYS Mount and Pad

<input type="checkbox"/>	J3HEDX8	E0955/E1028	AXYS Headrest with 8" Plush Pad	\$381.00
<input type="checkbox"/>	J3HEDX10	E0955/E1028	AXYS Headrest with 10" Plush Pad	\$381.00
<input type="checkbox"/>	J3HEDX14	E0955/E1028	AXYS Headrest with 14" Plush Pad	\$394.00
<input type="checkbox"/>	J3HEDXAAPN	E0955/E1028	AXYS with Adj-a-Plush Narrow Pad	\$480.00
<input type="checkbox"/>	J3HEDXAAPS	E0955/E1028	AXYS with Adj-a-Plush Std Pad	\$480.00

LINX Mount and Pad

<input type="checkbox"/>	J3HEDL8	E0955/E1028	LINX Headrest with 8" Plush Pad	\$441.00
<input type="checkbox"/>	J3HEDL10	E0955/E1028	LINX Headrest with 10" Plush Pad	\$441.00
<input type="checkbox"/>	J3HEDL14	E0955/E1028	LINX Headrest with 14" Plush Pad	\$454.00
<input type="checkbox"/>	J3HEDLAAPN	E0955/E1028	LINX with Adj-a-Plush Narrow Pad	\$540.00
<input type="checkbox"/>	J3HEDLAAPS	E0955/E1028	LINX with Adj-a-Plush Std Pad	\$540.00

JAY J3 Back Laterals Swing Away Laterals With Pad - Pair

<input type="checkbox"/>	J3LAT4X4SA	E0956/E1028	SwingAway Lat with 4"x4" Pad (PR)	\$778.00
<input type="checkbox"/>	J3LAT4X5SA	E0956/E1028	SwingAway Lat with 4"x5" Pad (PR)	\$778.00
<input type="checkbox"/>	J3LAT4X6SA	E0956/E1028	SwingAway Lat with 4"x6" Pad (PR)	\$778.00

<input type="checkbox"/>	J3LAT6X4SA	E0956/E1028	SwingAway Lat with 6"x4" Pad (PR)	\$778.00
<input type="checkbox"/>	J3LAT6X5SA	E0956/E1028	SwingAway Lat with 6"x5" Pad (PR)	\$778.00
<input type="checkbox"/>	J3LAT6X6SA	E0956/E1028	SwingAway Lat with 6"x6" Pad (PR)	\$778.00



JAY® Signature Series Cushions

Note: Not all sizes and configurations shown below, for full offering visit www.sunrisemedical.com.

When ordering mark the part number desired and it will be added to the order as a separate line item.

JAY CUSHIONS

JAY Fusion Cushion				
<input type="checkbox"/>	JFUSION1416	E2622	JAY Fusion 14" x 16"	\$440.00
<input type="checkbox"/>	JFUSION1616	E2622	JAY Fusion 16" x 16"	\$440.00
<input type="checkbox"/>	JFUSION1618	E2622	JAY Fusion 16" x 18"	\$440.00
<input type="checkbox"/>	JFUSION1620	E2622	JAY Fusion 16" x 20"	\$440.00
<input type="checkbox"/>	JFUSION1717	E2622	JAY Fusion 17" x 17"	\$440.00
<input type="checkbox"/>	JFUSION1816	E2622	JAY Fusion 18" x 16"	\$440.00
<input type="checkbox"/>	JFUSION1818	E2622	JAY Fusion 18" x 18"	\$440.00
<input type="checkbox"/>	JFUSION1820	E2622	JAY Fusion 18" x 20"	\$440.00
<input type="checkbox"/>	JFUSION2018	E2622	JAY Fusion 20" x 18"	\$440.00
<input type="checkbox"/>	JFUSION2020	E2622	JAY Fusion 20" x 20"	\$440.00
<input type="checkbox"/>	JFUSION2220	E2623	JAY Fusion 22" x 20"	\$525.00

JAY J2 Cushion				
<input type="checkbox"/>	2108-MJ	E2622	JAY J2 14" x 16"	\$435.00
<input type="checkbox"/>	2105-MJ	E2622	JAY J2 15.5" x 16"	\$435.00
<input type="checkbox"/>	2106-MJ	E2622	JAY J2 15.5" x 18"	\$435.00
<input type="checkbox"/>	2107-MJ	E2622	JAY J2 15.5" x 20"	\$470.00
<input type="checkbox"/>	2117-MJ	E2622	JAY J2 17" x 17"	\$435.00
<input type="checkbox"/>	2100-MJ	E2622	JAY J2 18" x 16"	\$435.00
<input type="checkbox"/>	2101	E2622	JAY J2 18" x 18"	\$435.00
<input type="checkbox"/>	2103-MJ	E2622	JAY J2 18" x 20"	\$470.00
<input type="checkbox"/>	2118-MJ	E2622	JAY J2 20" x 18"	\$470.00
<input type="checkbox"/>	2102-MJ	E2622	JAY J2 20" x 20"	\$545.00

JAY Fusion Cushion w/ ROHO Single Valve Air Insert				
<input type="checkbox"/>	JFUSION1416AS	E2622	JAY Fusion 14" x 16"	\$495.00
<input type="checkbox"/>	JFUSION1616AS	E2622	JAY Fusion 16" x 16"	\$495.00
<input type="checkbox"/>	JFUSION1618AS	E2622	JAY Fusion 16" x 18"	\$495.00
<input type="checkbox"/>	JFUSION1620AS	E2622	JAY Fusion 16" x 20"	\$495.00
<input type="checkbox"/>	JFUSION1717AS	E2622	JAY Fusion 17" x 17"	\$495.00
<input type="checkbox"/>	JFUSION1816AS	E2622	JAY Fusion 18" x 16"	\$495.00
<input type="checkbox"/>	JFUSION1818AS	E2622	JAY Fusion 18" x 18"	\$495.00
<input type="checkbox"/>	JFUSION1820AS	E2622	JAY Fusion 18" x 20"	\$495.00
<input type="checkbox"/>	JFUSION2018AS	E2622	JAY Fusion 20" x 18"	\$495.00
<input type="checkbox"/>	JFUSION2020AS	E2622	JAY Fusion 20" x 20"	\$495.00
<input type="checkbox"/>	JFUSION2220AS	E2623	JAY Fusion 22" x 20"	\$580.00

JAY J2 Deep Contour Cushion				
<input type="checkbox"/>	2446	E2622	JAY J2 Deep Contour 14" x 16"	\$450.00
<input type="checkbox"/>	2466	E2622	JAY J2 Deep Contour 16" x 16"	\$450.00
<input type="checkbox"/>	2468	E2622	JAY J2 Deep Contour 16" x 18"	\$450.00
<input type="checkbox"/>	2460	E2622	JAY J2 Deep Contour 16" x 20"	\$480.00
<input type="checkbox"/>	2477	E2622	JAY J2 Deep Contour 17" x 17"	\$450.00
<input type="checkbox"/>	2486	E2622	JAY J2 Deep Contour 18" x 16"	\$450.00
<input type="checkbox"/>	2488	E2622	JAY J2 Deep Contour 18" x 18"	\$450.00
<input type="checkbox"/>	2480	E2622	JAY J2 Deep Contour 18" x 20"	\$480.00
<input type="checkbox"/>	2408	E2622	JAY J2 Deep Contour 20" x 18"	\$480.00
<input type="checkbox"/>	2400-MJ	E2622	JAY J2 Deep Contour 20" x 20"	\$555.00
<input type="checkbox"/>	2428	E2623	JAY J2 Deep Contour 22" x 18"	\$555.00

JAY Fusion Cushion w/ ROHO Dual Valve Air Insert				
<input type="checkbox"/>	JFUSION1416AD	E2622	JAY Fusion 14" x 16"	\$500.00
<input type="checkbox"/>	JFUSION1616AD	E2622	JAY Fusion 16" x 16"	\$500.00
<input type="checkbox"/>	JFUSION1618AD	E2622	JAY Fusion 16" x 18"	\$500.00
<input type="checkbox"/>	JFUSION1620AD	E2622	JAY Fusion 16" x 20"	\$500.00
<input type="checkbox"/>	JFUSION1717AD	E2622	JAY Fusion 17" x 17"	\$500.00
<input type="checkbox"/>	JFUSION1816AD	E2622	JAY Fusion 18" x 16"	\$500.00
<input type="checkbox"/>	JFUSION1818AD	E2622	JAY Fusion 18" x 18"	\$500.00
<input type="checkbox"/>	JFUSION1820AD	E2622	JAY Fusion 18" x 20"	\$500.00
<input type="checkbox"/>	JFUSION2018AD	E2622	JAY Fusion 20" x 18"	\$500.00
<input type="checkbox"/>	JFUSION2020AD	E2622	JAY Fusion 20" x 20"	\$500.00
<input type="checkbox"/>	JFUSION2220AD	E2623	JAY Fusion 22" x 20"	\$585.00

JAY X2 Cushion				
<input type="checkbox"/>	JX21416	E2622	JAY X2 14" x 16"	\$425.00
<input type="checkbox"/>	JX21616	E2622	JAY X2 16" x 16"	\$425.00
<input type="checkbox"/>	JX21618	E2622	JAY X2 16" x 18"	\$425.00
<input type="checkbox"/>	JX21620	E2622	JAY X2 16" x 20"	\$425.00
<input type="checkbox"/>	JX21717	E2622	JAY X2 17" x 17"	\$425.00
<input type="checkbox"/>	JX21816	E2622	JAY X2 18" x 16"	\$425.00
<input type="checkbox"/>	JX21818	E2622	JAY X2 18" x 18"	\$425.00
<input type="checkbox"/>	JX21820	E2622	JAY X2 18" x 20"	\$425.00
<input type="checkbox"/>	JX22020	E2622	JAY X2 20" x 20"	\$425.00

JAY Union Cushion				
<input type="checkbox"/>	JU1416	E2607	JAY UNION 14" x 16"	\$445.00
<input type="checkbox"/>	JU1616	E2607	JAY UNION 16" x 16"	\$445.00
<input type="checkbox"/>	JU1618	E2607	JAY UNION 16" x 18"	\$445.00
<input type="checkbox"/>	JU1620	E2607	JAY UNION 16" x 20"	\$445.00
<input type="checkbox"/>	JU1717	E2607	JAY UNION 17" x 17"	\$445.00
<input type="checkbox"/>	JU1816	E2607	JAY UNION 18" x 16"	\$445.00
<input type="checkbox"/>	JU1818	E2607	JAY UNION 18" x 18"	\$445.00
<input type="checkbox"/>	JU1820	E2607	JAY UNION 18" x 20"	\$445.00
<input type="checkbox"/>	JU2018	E2607	JAY UNION 20" x 18"	\$445.00
<input type="checkbox"/>	JU2020	E2607	JAY UNION 20" x 20"	\$445.00
<input type="checkbox"/>	JU2220	E2608	JAY UNION 22" x 20"	\$545.00

JAY Ion Cushion				
<input type="checkbox"/>	JION1416	E2607	JAY ION 14" x 16"	\$395.00
<input type="checkbox"/>	JION1616	E2607	JAY ION 16" x 16"	\$395.00
<input type="checkbox"/>	JION1618	E2607	JAY ION 16" x 18"	\$395.00
<input type="checkbox"/>	JION1620	E2607	JAY ION 16" x 20"	\$395.00
<input type="checkbox"/>	JION1717	E2607	JAY ION 17" x 17"	\$395.00
<input type="checkbox"/>	JION1816	E2607	JAY ION 18" x 16"	\$395.00
<input type="checkbox"/>	JION1818	E2607	JAY ION 18" x 18"	\$395.00
<input type="checkbox"/>	JION1820	E2607	JAY ION 18" x 20"	\$395.00
<input type="checkbox"/>	JION2018	E2607	JAY ION 20" x 18"	\$395.00
<input type="checkbox"/>	JION2020	E2607	JAY ION 20" x 20"	\$395.00
<input type="checkbox"/>	JION2220	E2608	JAY ION 22" x 20"	\$495.00

JAY Union Reduced Profile Cushion				
<input type="checkbox"/>	JU1416RP	E2607	JAY Union RP 14" x 16"	\$445.00
<input type="checkbox"/>	JU1616RP	E2607	JAY Union RP 16" x 16"	\$445.00
<input type="checkbox"/>	JU1618RP	E2607	JAY Union RP 16" x 18"	\$445.00
<input type="checkbox"/>	JU1620RP	E2607	JAY Union RP 16" x 20"	\$445.00
<input type="checkbox"/>	JU1717RP	E2607	JAY Union RP 17" x 17"	\$445.00

<input type="checkbox"/>	JU1816RP	E2607	JAY Union RP 18" x 16"	\$445.00
<input type="checkbox"/>	JU1818RP	E2607	JAY Union RP 18" x 18"	\$445.00
<input type="checkbox"/>	JU1820RP	E2607	JAY Union RP 18" x 20"	\$445.00
<input type="checkbox"/>	JU2018RP	E2607	JAY Union RP 20" x 18"	\$445.00
<input type="checkbox"/>	JU2020RP	E2607	JAY Union RP 20" x 20"	\$445.00